

There are two ceilings to human progress — "I won't" and "I can't."

You carry least weight when you start to throw your weight around.

## EIGHTY-FOURTH YEAR

### Suggest War Memorial be Enlarging Present Hospital

#### County Hospital Governors Hold Quarterly Meeting — Able to Close Year Successfully

The quarterly meeting of the Governors of Huntingdon County Hospital was held at the Chateau, on Friday afternoon, 10th January, 1947, with the following in attendance: Mrs. D. J. O'Connor, Mrs. F. Gordon McCrimmon, W. D. Fraser, Albert Dupuis, Ernest Watterson, Alex. Fawcett, and Gilbert McMillan. Miss Gladys Vass, the Matron, Mr. Manning and Mr. Fox were present, also the full Medical Board of doctors, Clouston, McCrimmon, McEwen and Lefebvre. The usual quarterly reports were presented and, as this is the closing financial year, it showed the results of the full year's operations. The hospital, due to the continued public support and the generous grants from the Provincial Government, was able to close the year in a fairly satisfactory financial position but as it has to operate until at least July before any further grants become due it will in all probability appear in the red before then. Without the special grant of \$20,000 received last year from Quebec, the financial situation might have been difficult.

Hospitals are perhaps suffering more acutely from increased costs of operation than most other institutions and are today rendering their services at prices altogether out of line with costs. Dr. Clouston, in his report as Superintendent, mentioned that 418 patients had been cared for during the year for a little over 3000 hospital days service rendered. Some changes had taken place in the staff but that everything was operating smoothly and efficiently under Matron Vass. He also reported the lack of some much needed equipment, but due to the generous support of the Rotary Club it is expected that this will be taken care of without charge on the

funds of the hospital, and that extreme difficulty often must be faced due to lack of and arrangement of rooms. This led to a general discussion of what could or should be done to meet the situation. It was generally agreed that it would be inadvisable to abandon the present premises and rebuild in entirety unless very large grants were assured by the Department of Health, but that the present premises did lend itself to enlargement which would meet the probable requirements of the community for some years to come.

As no project for a War Memorial for Huntingdon and district has so far been determined upon the suggestion was advanced that an addition should be made to the Hospital, to meet its needs, as a suitable and useful memorial to those who gave their all for our country. The matter of the building has been under consideration for some time and a set of tentative plans for a large story building of fireproof construction and appropriate for the location and requirements was presented to the Governors for their study and consideration. It would provide accommodation for about 20 beds, in addition to the nursery, while the ancillary services would continue to be carried on in the present premises.

Now that the need of hospital service in Huntingdon has been amply demonstrated, and the public are conscious of this fact, it is felt that with the support of the Department of Health and the public in general such a project may be launched in safety. The management would welcome suggestions from all who are interested in the welfare of the community and the bringing of the War Memorial project to fruition.

### Mr. and Mrs. David Ovans Celebrate Golden Wedding Anniversary

The golden wedding anniversary of Mr. and Mrs. David Ovans, 1 Sinclair road, Allston, was recently celebrated at a tea and reception in the home of their daughter, Mrs. John H. Beedle of Belmont. The Ovans have been Allston, Mass., residents since their marriage, 50 years ago.

Assisting at the tea were the couple's two daughters, Mrs. Clarence E. Conkey of Pawtucket, R.I., and Mrs. Walter Nelson of Belmont. Also assisting in preparations were two sons, David R. Ovans of Washington, D.C., and Donald Ovans, recently returned from three years service in Iran. The eight grandchildren of Mr. and Mrs. Ovans were present, including Lt. Robert Conkey, a bomber pilot in the Pacific, home on leave from his California base, and Miss Dorothy Conkey, a teacher in Providence, R.I. Attending as well was Ovans twin brother Thomas, who was best man at the couple's wedding.

Ovans was born in Ormstown, Quebec, and came to Boston 56 years ago where he met his future wife, Miss Sarah E. Nutting of Farmington, Me. They moved to Allston and have been living at Sinclair road for 44 years. Recently retired from the Fish business in which he was engaged for 30 years in Brookline and Newton, Ovans is a member of the Federal Department of Organization which he joined in 1895.

Mrs. Ovans is a member of the Brighton Avenue Baptist church, where she has been president of the Sunday class for 20 years. She is a member of Evangelical chapter OES.

### Huntingdon Curlers to Compete in Royal Victoria Jubilee Competition

A Huntingdon Curling Rink has won the right to representation in the Royal Victoria Jubilee Competition to be held in Montreal, starting on Friday. A district contest to decide which rink should be the competitor was engaged in on Tuesday afternoon at Huntingdon, with the results that Huntingdon defeated Beauharnois by a score of 14 to 12. Other rinks in the competition were Ormstown and Valleyfield. Beauharnois beat Ormstown 18 to 6 and Huntingdon won over Valleyfield 13 to 12, with the final game resulting as above. The rink from Huntingdon which will go to Montreal on Friday to compete in the above competition will be composed as follows: W. K. Pope, 1st; A. B. Thacker, 2nd; D. Goodfellow, 3rd; S. Robb, Skip. There seems to be a revived interest in curling this year and it is hoped that this rink will be among the winners when the results of this competition are known.

On Friday evening a competition for Visitors and New Members was held at the Huntingdon Curling Rink, in which seven rinks competed. The results showed the D. Moody rink as the winners of the silver spoons which were the prize. This rink composed D. Moody, P. F. Reardon, J. Johnson and C. F. D. Another competition is to be held this Friday evening. These competitions are creating keen interest in this great game.

Another competition is getting under way and the first game will be played on Monday evening as per the schedule which is shown under. In this competition games will be skipped by new (or green) players.

### Results of Municipal Elections

The following are the results of elections for Mayor and Councillors in the municipalities named and in each case the members have been elected by acclamation following nomination meetings:

**Dundas:**  
Re-elected by Acclamation—R. G. Steven, Mayor.  
Councillors: H. A. Cameron, Seat No. 2; J. H. A. Quenneville, Seat No. 4; Louis Plante, Seat No. 6.  
**Parish of Tres St. Sacrement:**  
J. J. Peddie, Mayor.  
Councillors: Harold Robertson; Victor Lemieux; Laurent Bergevin. All by acclamation.  
**Howick Village Councillors:**  
W. G. MacArthur; Oliver Barbeau; Leo Parent. All by acclamation.

### Brilliant Soldier Will Leave Army

#### Maj.-Gen. "Tommy" Burns Led His Canadian Troops to Many Victories

Maj.-Gen. Edson Louis Millard Burns, of Westmount, ends at the age of 49 a military career which began at 18 and which brought forth his skill in science and languages, intimate experience of engineering, infantry and armored fighting forces, valuable service in two world wars, awards of the Distinguished Service Order, the Military Cross, and the Order of the British Empire, the nickname of a

o-o-o



MAJ. GEN. BURNS

boxing namesake, Tommy Burns, and his present high rank, for the army has announced his retirement.

Born in Westmount almost 50 years ago, and a graduate of Lower Canada College, he began his military career as a trooper, being commissioned as an engineer in 1915 after a year at Royal Military College. He served overseas in World War I, and has been a professional soldier since.

At the end of the first great war he held a captaincy and the Military Cross and on his return to Canada became associated with the man who was to become Lt.-Gen. A. G. L. McNaughton, and became recognized as an authority on aerial photography, his work in that field for the National Research Council winning him the O.B.E. in 1935. He is credited with the invention of three machines for plotting maps from aerial photographs.

Already a French linguist from his youth in Montreal, he learned German while studying aerial map making in that country, and his friends praise him as an eloquent story teller, an exceptional pianist, and a man possessed of an encyclopedic mind. He has a long head which is noted in the army for the overlarge caps which usually adorn it.

Few of Canada's generals have had as broad a background as "Tommy" Burns, for in addition to his other experience he attended the military engineering school at Chatham, England, studied at the staff college in Quetta, India, and had just completed a course at the Imperial Defence College when the late war broke out.

He commanded two of the Canadian divisions overseas in the Hitler and Gothic lines. He also served as staff officer at Canadian Military Headquarters in London, Assistant Deputy Chief of the General Staff at Ottawa, as brigadier of the General Staff at Corps Headquarters overseas, and as officer-in-charge of the Armored Corps at Ottawa.

Mrs. Burns and his daughter, Mary Eleanor, live in Ottawa.

### Tax Officers Seek All Delinquents

#### Research Being Carried on Daily to Locate Non-Paying Eligibles

Ottawa (CP) — If you haven't paid your Dominion income tax you can expect to be hearing from the income tax branch of the federal Department of Revenue one of these days.

It may take a long time, but the slow but systematic check-up system of the department eventually will catch up with all the federal outstanding taxes. That was the word today from a departmental spokesman who said the branch was continually "on the job" checking on all cases of undeclared revenue that comes to their attention. And that includes everyone from executives to athletes—amateur or professional.

Questioned regarding the status of so-called "amateurs" who may get "bonuses" or some such amount for playing hockey, baseball or other sport, the spokesman said they would be made to pay up if found liable, just like everyone else. However, he knew of no such "amateur" cases under review at the moment.

The department has little trouble checking up on most salaried persons and Canadian wage earners since their employers must report employees' earnings to the branch. It's the fellow who gets returns from an uncheckable source and then fails to declare it that causes the trouble.

Just how the department checks up on these remains a "trade secret" but it will catch up with all outstanding taxes in the end.

### Citizenship Talk Given Rotarians

The address delivered at the Rotary Club luncheon meeting on Monday, was given by Mr. Archie MacDonald of Montreal, and on the subject "The Challenge of Citizenship." It is a most timely subject at this time when the people of this Dominion have finally gained the right to be known as Canadians. A few excerpts from the address are given below:

#### The Challenge of Canadian Citizenship

A week ago there was a great deal of cheering as the hands of the clock reached midnight. The dawn of this new year, I believe—though why otherwise sane people must go into tribal ritualistic on such an occasion leaves me completely baffled. There was another reason, however, for rejoicing. At that moment we of this country ceased to be "subjects" — we had become "citizens." Admittedly now and perhaps for sometime to come this differentiation may be largely technical — of no tangible significance. In a very real sense, though, we have entered on a new era.

### Officers Named For Ormstown Exhibition For 1947

#### W. G. McGerrigle Resigns as Secretary-Treasurer — Successor to be Named

At the meeting of the Directors of the Live Stock Breeders' Association of the District of Beauharnois held in the Town Hall, Ormstown, January 9th, the following officers were elected: Mr. Gilbert McMillan, Huntingdon, President; Mr. D. E. Black, 1st Vice President; Mr. Douglas Nesbitt, Howick, Que., 2nd Vice President. Honorary Presidents: Hon. R. R. Ness, M.L.C., M.B.E., Howick, Que.; Messrs. H. H. Chambers and Alfred Greig, Ormstown, Que.

The resignation of W. G. McGerrigle as Secretary-Treasurer was accepted and a successor will be appointed shortly. Mr. McGerrigle was made Honorary Secretary-Treasurer.

A few accounts were ordered paid. A meeting will be held at an early date to revise the prize list for 1947 and further plans for the coming Spring Show in June, which promises to be even more successful than in the past, as already requests for space and box seats are coming in.

### 32 Rinks Compete in Howick Annual District Bouspiel

#### Aubrey Rink Captures the Dr. Moore Trophy in The Finals

The annual district bouspiel was held at the Howick Curling Rink on Tuesday, Jan. 7 to Saturday, Jan. 11. After keen competition, two Aubrey rinks were in the finals. On Saturday night the Dr. Moore Trophy was presented to the Aubrey team skipped by Ray Reddick.

Never before in the history of the Howick Curling Club has this bouspiel received such enthusiastic and co-operative support. All teams responded to their calls, regardless of hour. Fortunately, the weather conditions were the very best for curling. Club rooms were filled to capacity with interested spectators.

Thirty-two rinks entered the bouspiel. The entries were as follows: Mr. D. E. Black, 1st; Aubrey, 2 rinks; Ormstown, 2; Fertile Creek, 3; Huntingdon, 2; Valleyfield, 2; English River, 2; Beauharnois, 2; St. Johns, 1.

The following are the rinks and scores:

First Round
Ormstown: M. E. Barrington, M. G. Barrington, I. D. Barrington, B. L. McGerrigle, Skip 7.
vs.
Howick: H. Weiburn, J. R. Younie, A. C. Younie, R. B. Ness, Skip 12.
Howick: L. Baillie, M. Craig, D. A. Ness, A. R. Allen, Skip 8.
Huntingdon: W. R. Wilson, J. Boisseau, C. M. Oney, G. C. Stark, Skip 7.
Ormstown: P. Smith, M. Mc-

### Valleyfield Fire Razes Linen Plant

Valleyfield, January 14—Damage estimated at more than \$10,000 were caused when a fire gutted the two-storey building of the Compagnie de Lingerie de Valleyfield, recently opened linen plant, early this morning. Two firefighters were injured.

The fire broke out when a flash of sparks from a perforating machine set fire to a batch of material, about 8.35 a.m. "Firefighters under Chief Rosario Lanctot used four streams for more than three hours to quell the outbreak, which completely gutted the building. For some time, the G. O. Claremont Wood Yard, only 50 feet away, was threatened when a strong wind blew sparks from the conflagration. Firemen injured were Georges Mahou who hurt his hand when he fell from a stairway, and Roger Masse, who suffered a frozen hand.

### Brooklet Church Benefits Through Bequest of The Late W. B. Rennie

In February, 1943, the estate of W. B. Rennie of Waterford, N.Y., and formerly of Brooklet and Huntingdon was settled and among other like bequests a sum of money was left to the church he attended as a boy. Then Brooklet was known as Rennie's Corner.

Recently electric lights have been installed in Rennie's United Church with the money he left, and we trust will be a fine memorial to the name of Walter B. Rennie for many years to come.

#### Electing Time

As Election Time comes round again, it will be opportune to remember that the biggest complainant in town are the people who contribute least to civic betterment. These grumblers delight in finding fault with municipal councillors, but they never offer to take a responsible post, themselves.

### Mr. Arthur Spivey Reports On International Labour Conference at Brussels

#### Conditions in Textile Industry in Canada Shown To be Excellent

Huntingdon should have reason to be proud that one of its citizens and mill workers was chosen to represent the workers of Canada in the textile trade, at the International Labour Organization conference held at Brussels, Belgium, from November 14th to the 22nd, 1946. The representative from Huntingdon was Mr. Arthur Spivey, Vice President, Local 147, United Textile Workers and employed as a foreman in the warping dept. of Leach Textiles Ltd., Huntingdon, Que. He was chosen because of his wide knowledge of the industry, but it came as a great surprise when he was informed that he was the man to go to the conference at Brussels, along with five other representatives.

A Gleaner representative has just had the opportunity to interview Mr. Spivey about his experiences and the story obtained will be of interest to all here in Huntingdon and at other points where people are employed in the textile industry. This part of Quebec is becoming to be a favorite for textile firms to set up their mills and naturally there are now a large number of people throughout this area who are engaged in this industry. It will therefore be doubly interesting that one of the local workers was chosen to represent them at this international conference at which representatives from eighteen other countries were present. The countries represented were: United States, Australia, Belgium, Canada, China, Denmark, Egypt, France, United Kingdom, India, Italy, Mexico, Netherlands, Norway, Peru, Poland, Sweden and Switzerland. Each country was represented by at least six delegates — two for the government, two for the employers and two for the workers. Canada's representatives were as follows: Government — Mr. Raymond Ranger, Assistant to the Deputy Minister, Department of Labour, Ottawa; Mr. F. J. Ainsworth, Industrial Relations Officer, Department of Labour, Toronto, Ont.; Employers — Mr. H. G. Smith, O.B.E., President Mohawk Mills Ltd., Hamilton, Ont.; Mr. W. A. Kennedy, Director of Abertyle Manufacturing Co., Guelph, Ont.; Workers — Mr. A. Spivey, Vice President, Local 147, United Textile Workers, Huntingdon, Que., Mr. L. Lezer, President, Local 779, Textile Workers of America, Cornwall, Ont.

The main purpose of the conference was to seek ways and means of advancing the standard of living of all persons throughout the world engaged in the textile industry. It was also to seek to adjust competition on a fair basis within the industry and to eliminate unfair competition from countries giving their workers a low standard of living.

Mr. Spivey explained that in earlier years the conditions within the industry were such that it was the worst industry to be employed in. It was only natural that the workers should turn from the industry to other work that would provide more congenial relations and conditions. The workers were poorly paid and the conditions of work were far from satisfactory. The condition in the world today is that all textile products are in great demand and there are insufficient workers to produce enough to supply the demand. It is necessary to check into the conditions on a wide scale and try to discover a remedy that will make workers want to be employed in the industry. To do this it is necessary that conditions all over the world be placed on a basis of equality or near equality and this is necessary to the workers and all engaged in the industry. It is natural that the governments, the employers and the workers, are all vitally interested in this important matter and all are anxious to find a remedy for the industry that will bring mutual benefit to Canada and the United States and to the best position today, said Mr. Spivey. He found that as the conference proceeded, that these countries were already enjoying most of the privileges that were put forward as suggestions. Such things as shorter hours, working standards and living, holidays with pay, social benefits and security are already in force in this country and the United States. But in many countries these conditions do not as yet prevail. He said it made him feel that Canada was a good country to live in and he did not want a better one.

Leaving For The Conference  
Mr. Spivey and the other members of the party from Canada, left from New York on November 1st and arrived in Liverpool, England, on November 10th. They journeyed by train to London, and arrived the same day.

They were met and conducted to quarters in the Savoy Hotel, in London, where each were provided with a suite of rooms. They did not leave London for Brussels until November 12th, so had best part of two days in which to see some of this great city.

Mr. Spivey said he saw extensive damage that had been done to London during the blitz and blocks of ruins were in evidence showing that the damage was quite vast. No new building is allowed in London and store keepers were doing business in stores with the windows boarded up and even part of the building itself gone. They are required to carry on in this way until such times as more important

work has been completed. He said when he came to breakfast on the morning after arrival in London, the waiter asked him what he would like and he replied: "Some cornflakes, eggs and bacon, etc." The waiter almost fainted and told him that he could not have that. "What can I have then?" The waiter replied: "Shredded wheat, kippers, or jam and bread." So, Mr. Spivey said, that is what I had to have. He said he was no idea of what war means until seeing England. At first sight it is not noticed, he said. But when you start to ask for some of the things which we are used to in this country, that is when the shock comes. Cigarettes are for customers only and no stranger can get them as the storekeeper is on a quota basis. The cigarettes are kept under the counter and out of sight and if you are a regular customer you can get them.

The Britisher gets two slices of bacon, each week and one egg every two weeks. If the egg is bad he does not get another one until another two weeks. Meals served in restaurants comprise fish as the main course for most days of the week and no more than five shillings (about \$1.00) can be spent on a meal. The only place where no reserve is placed on the meals is at The Savoy, but here the prices are quite high.

During the two days in London, Mr. Spivey witnessed the opening of parliament by the King, and was greatly impressed by the pomp and ceremony attendant upon the occasion. He also saw the changing of the guard in Whitehall.

Despite the rationing, everyone in England seems to be healthy and not to complain. There is the usual hustle and bustle and all seem to be busy but there is a scarcity of everything to buy and everyone must queue up, even for a postage stamp. No one seems to mind this and they automatically do it and fall into line and wait their turn.

Attend Conference  
The conference was held in the "Palace of Brabant" a name given to a building that we would term a City Hall. The meetings were held in a Grand Room of the building. The official status of the delegates was established before leaving their respective countries, and the first session opened at 9 a.m. on Thursday, November 14th. This took the form of a general conference and lasted all day. After the first day the various groups met as sub-committees and then presented their findings to a conference of the whole, for final decision.

The official languages were French and English with interpreters to translate from one to the other and to other languages so that other delegates would know what was going on. Mr. Spivey said that the United Kingdom representatives were the most outstanding at the conference as they seem to have a better knowledge of all matters and could quote figures to back up their statements. It was shown that the United States and Canada had the highest standard of living than any other countries in the world. Price Control in Canada was lauded by all present and it was regretted that a similar form of holding prices and goods to a level. It was this method that was believed had kept the standard of living in Canada on such an even keel and had prevented inflationary tendencies such as being experienced even in the United States.

Great interest was maintained in all the meetings and much subject matter was discussed pertaining to the problems of all represented at the conference and there is no doubt that much good will come of the discussions for those employed and engaged in the textile industry. Space does not permit an article, but in the next issue more details will be given on the conference and its findings.

To be continued Next Week

### Being Blind Does Not Stop Keith Oliver Earning Living

#### Took Handicap as Challenge to Ability; Keeps Records on Equipment

The following is an interesting success story of a former Huntingdon resident, who lost his sight about three years ago. The man we refer to is Keith B. Oliver, of Concord, New Hampshire. It will be remembered by many that he formerly operated a garage for several years at the site of the old Memorial Hall, on Chateaugay Street, in partnership with Mr. B. A. Rankin and that he was married to Mr. Rankin's sister, Janie. The former Mrs. Oliver died in 1939 and since that time Mr. Oliver has married again. His wife and he were here on a visit to Huntingdon at Easter time last year and stayed with Mr. and Mrs. B. A. Rankin. The story is as follows:

CONCORD, Dec. 28 — Three years ago Keith M. Oliver, 41, of 107 North State street, was one of the top men in the New Hampshire Highway Department garage here. He was foreman of the passenger car department.

Then one day a haze started to filter across his vision. Six months later he was totally blind and jobless. Specialists told him his optic nerves were in some way injured and he would most likely never see again. He could not return to his old job.

The people who knew Keith Oliver wondered how he would take the blow fate had handed to him. They had known him as a hard worker, unselfish in his relations, active in his lodge, and a devoted husband. But his adjustment was fast.

"He took this new handicap as a challenge," said his wife. "He never grumbled or complained. I, of course, loved him before he became blind but since I have found in him a more wonderful man than I had before, I have not wanted to accept help. With few exceptions he does everything he did before he became blind."

Mastered Braille  
First in his fight for an almost normal adjustment was his mastering writing and reading in braille. He is one of the few

### Building Men Don't Expect Cut in New Home Costs

Arrival of the new year has not brought any hope of improvement in the cost of construction, according to Ottawa's contractors and building supplies dealers.

Those persons who have waited hopefully for industrial improvement to ease the cost of new homes, still have a long wait ahead, for no immediate improvement is forecast in either the supply or cost of materials. "Supplies are going to be just as hard to get and probably will cost more than they did last year," one leading builder said gloomily. He pointed out that furnaces were being boosted 10 percent in price and that plumbing fixtures were almost impossible to get. Despite the increased cost of home, people are still buying them. One contractor said he was preparing to proceed with construction of seven houses in the Glebe, on Taylor's avenue, and seven in the West End. Having long made a practice of buying his materials at least a year in advance, he said he had most of the supplies he would require. An official of a builders' supply store says there was unlikely the supply of heavy hardware would be eased for many months. "We can't get any cast iron goods. Manufacturers claim they have stopped producing a lot of it because they have to pay more for scrap iron than they can get for the finished goods." Furnace parts were among the most important items of which there was a shortage in that category. A \$5,000 home is still going to cost the private builder \$7,000. In fact, he'll be lucky if he can build it for that figure.

#### SKIS FOR SHOPPING

Neville, Sask. (CP)—Sixty-six-year-old Mrs. E. M. Macdonald, of this southwestern Saskatchewan farming community, wasn't kept away from Christmas shopping by lack of transportation. This holiday season she skied into Neville from her farm home six miles south of here and back.

The Huntingdon Gleaner

Published by The Huntingdon Gleaner Inc. ADAM L. SELLAR, President and Editor

Subscription Rates: \$2.50 Year. Agents: A. Beaudin & Son, Ormstown, Que.

Huntingdon, Wed., January 15th, 1947

Coming Town Election

NOMINATIONS will be held on January 25th, for the Huntingdon Town Council. All present members will retire this year so that new members will have to be elected in their stead.

From the foregoing it will be apparent that there will likely be a contest, unless the names nominated are just sufficient to fill the bill, when acclamation would be the order.

So far as could be learned by The Gleaner, no successors have been named to take the place of those who have reached the decision not to stand for re-election.

In fairness to those members who are retiring from this public office, we wish to say that we believe they conducted the affairs of the town in a capable and conscientious manner and that the finances of the town were kept in good condition and without undue high taxation.

Vocational Service at Work in Huntingdon

THE Huntingdon Rotary Club seems to be living up to its ideals—"Service Before Self—He Profits Most Who Serves Best". This club has carried out some very worthwhile acts since it was first organized in Huntingdon and the community should be the better for them.

If the people of Huntingdon took the trouble to analyze the report of this speech as given in the last issue of The Gleaner, they would find that much of the suggested matter contained, is being carried out right in Huntingdon.

Whether the fact that the officials of the mills in Huntingdon are interested in Rotary and want to live up to the aims and objects of this world-wide organization, has anything to do with the situation here or not, we leave to the guess of all, but it certainly looks like a welding influence.

It is therefore that we much regret that Mr. Rousselle cannot see his way clear to carry on. He is to be interviewed by members of the Council to see if something can be done and we hope that his decision as given to The Gleaner, will be reconsidered and if at all possible that he will be able to carry on.

their employees, but they have helped these mills in maintaining their production and thus the workers have helped in maintaining the profits of these firms. Such was the crux of the matter of the speech on Vocational Service. That if as Rotarians, the members wished to obtain the most out of life, they must be prepared to give of themselves in order to gain it.

Vocational Service works both ways, of course. That is the employee must be willing to give co-operation to the employer for the considerations that are shown to him or her. There can be no one-way street if mutual benefit is to be obtained and the business run smoothly.

Assistant Fire Chief Wants to Resign

IT was with a great deal of regret that it learned that the Assistant Fire Chief Rene Rousselle, wished to resign from that position on the Huntingdon Volunteer Fire Brigade. It was with further regret that we learned from him, himself, that there was not much possibility of his reconsidering his decision.

Mr. Rousselle has been with the Fire Department for about 11 years, for 8 years he was on the pump and for the past 3 years he has been assistant chief. It is during the latter years that he has achieved the most for the Fire Dept. If the people will think back they will remember the two disastrous fires which occurred in Huntingdon within a few weeks of one another—Braithwaite Bros. Store and the Huntingdon Convent. It was evident at that time that the fire equipment was not all it should be and the fire brigade was also poorly organized.

It was at that time that Mr. Rousselle came forward and offered to put the pump in good shape if the Town Council would see that he got the necessary equipment and support. The Council readily agreed to the proposition and Mr. Rousselle was engaged at a small salary. He did get the pump in good shape as far as was possible, in fact it has always been ready for service since that time.

Rickets Report

Rickets are rife in some parts of Canada. Surveys by government nutrition authorities in one Province revealed that one child in every ten had definite signs of rickets.

It was also discovered that at least six out of ten had not been getting a cod liver oil. Vitamin D, which is present in fish liver oils, is used by the body for proper development of bones. Nutritionists therefore urge parents to forestall rickets by including some form of fish liver oil in the children's diet all the year round.

Foiling Fumes

Respirators designed to combat particular hazards are recommended by industrial health experts to protect workers against dust, fumes and gas, which are inevitable by-products of many industrial processes. The Department of National Health and Welfare, Ottawa, urges consultation by plant management with Provincial Health Departments to ensure that workers are safeguarded with adequate respiratory protective equipment.

Chicken's Chance

Pointing to the care taken of livestock, particularly in feeding, health authorities declare that many Canadian children aren't given a chicken's chance, in their diet.

A variety of carefully-chosen foods, declare nutritionists at Ottawa, is essential to health. Deformed bones, anaemia, skin affections, goitre, sore eyes, loss of weight, digestive disturbances and even mild unnoted conditions, may occur, particularly in children, as a result of the food which they eat—or don't eat.

Foods that Fit

Experts declare that food plays a great part in keeping us fit. But, they warn, don't expect overnight benefits from diet.

Good nutrition will give you sound teeth, strong bones, sharp eyes, clear skin and a feeling of well-being only after a proper dietary has been followed over a period of time. Good eating habits cure as well as convey. It's never too late, say nutritionists, to adopt a healthful eating habits, but, like all good things, the sooner begun the better. Some people find Mondays trying days.

Monday refer to the day as "Blue Monday", the reason for its unpopularity being that it is the beginning of the week's work, a return to toil after a week-end of leisure. We are brought face to face with the problems of our work and must wrestle towards solving them.

Most people, at some time or other, run into a series of "bad days", and the expression is heard, "I wish I could get away from it all". Such is the feeling that many in Britain are encountering today. The seven years of severe rationing, the austerity of life and the restriction on ordinary pleasures have caused many to become downhearted.

"Mornings are the same for millions like me. I rise around 7.30. I wash, shave and dress, arrive downstairs for breakfast at about ten minutes to eight. I eat and read my morning paper until 8.20. I leave at 8.25 to catch my train. Monotony—sheer monotony. The British Broadcasting Corporation is equally

monotonous. As I walk in to breakfast they are urging me to "Lift Up My Heart". Then alas, while I eat my half-slice of bread and thin scraping of marmalade, they tell me how my wife should cook the breakfast I should be eating. I have no alternative to listening, except to hear my wife talking. No wonder everybody looks miserable!"

We know exactly the frustrated feeling which is boring our British friend. We suggest to him, and to anyone else "feeling blue", that the best remedy is to forget about yourself and try to make somebody else happier. Do things which brighten the lives of other people. A friendly greeting, a smile, a pat on the back—these are courtesies which cost nothing, yet mean so much to others. Try them out, and you'll discover the joy in doing them. The pleasure in making somebody else happy jumps back to your own heart. But if you look only at your own troubles, then you will feel more miserable than ever. To be happiest, you must make someone else know the joy of living.

Inquest on a Rat - And The Empire

On Thursday, May 16, 1946, I sat in the Strangers' Gallery of the British House of Commons and listened to a debate on the death of a rat. No, it was not a bit of burlesque; it was a serious and businesslike discussion arising out of the following question put to the Home Secretary.

"Whether, in consideration of the campaign for rat extermination, he (the Home Secretary) will remit the sentence of 14 days' hard labor, passed on Christopher Lambrianou, a Cypriot, for killing a rat by pouring boiling water over the cage."

In reply to this question, Home Secretary Ede said: "I understand that this man pleaded guilty to causing unnecessary suffering to the rat. I have made enquiries, but I can find no ground for recommending any remission of the sentence which the magistrate thought it his duty to impose."

Mr. Follick, who put the question, asked the Home Secretary if he was aware that in many parts of the country rats caught in cages were destroyed by pouring boiling water over them, and he added: "As a result of enquiries I find no humane way of killing rats. As for the statement made by the magistrate that rats should be treated the same as human beings, if that were so, rats would no longer be destroyed."

This rather stalled the Home Secretary. He said the question of the destruction of rats did not come under his Department, anyway. He said the Minister of the Labor Government was concerned over the death of a rat, the great wartime Prime Minister was worrying over the possible demise of the British Empire. The rodent question having been disposed of, Mr. Churchill rose to his feet and addressing the Speaker, said: "May I ask the right hon. Gentleman whether he will arrange for a debate on Egypt in view of what took place last week?"

The right hon. Gentleman was Arthur Creech Jones, Leader of the House, and he replied that there was more urgent business on the agenda, and moreover, the Foreign Secretary was away in Paris. Mr. Churchill said he thought the matter of the proposed evacuation of Egypt was urgent business in view of the "serious and dark issues" arising out of such a decision.

Mr. Greenwood insisted that the matter could not be discussed in the absence of Mr. Evin. Mr. Churchill said he was "astounded" at such a statement. "Is not the Foreign Secretary," he said, very likely coming back tomorrow? Is there not a telephone to Paris—a secret telephone?"

This annoyed Mr. Greenwood, and he accused Mr. Churchill of "abusing the rules of the House." "What do you mean?" snapped back Churchill, angrily. "In what way did I abuse the rules of the House?"

Meanwhile Prime Minister Attlee had taken his seat, and he later introduced the proposed new Constitution for India, which he read at length. He read it in a matter-of-fact, routine manner, like a lawyer reading a will to the assembled members of a family at a funeral.

Besides me in the Gallery were several Indians who listened to the reading with intense interest. Mr. Ede calmly surveyed the left rooftops of the chamber, while Mr. Churchill sat brooding on the importance of the document, and probably recalling what he had said during the war, that he had no intention of "presiding over the liquidation of the Empire."

Chicken's Chance

Pointing to the care taken of livestock, particularly in feeding, health authorities declare that many Canadian children aren't given a chicken's chance, in their diet.

A variety of carefully-chosen foods, declare nutritionists at Ottawa, is essential to health. Deformed bones, anaemia, skin affections, goitre, sore eyes, loss of weight, digestive disturbances and even mild unnoted conditions, may occur, particularly in children, as a result of the food which they eat—or don't eat.

Foods that Fit

Experts declare that food plays a great part in keeping us fit. But, they warn, don't expect overnight benefits from diet.

Good nutrition will give you sound teeth, strong bones, sharp eyes, clear skin and a feeling of well-being only after a proper dietary has been followed over a period of time. Good eating habits cure as well as convey. It's never too late, say nutritionists, to adopt a healthful eating habits, but, like all good things, the sooner begun the better. Some people find Mondays trying days.

Gets Better Fruit by Bending Trees

VANCOUVER (CP)—New ideas to train trees designed to improve and increase value of fruit and also to treble the revenue from wood waste products have been brought here from France by Cleomuse of La Touche.

Mr. de la Touche, 41, graduate of Paris Ecole du Bois, ex-prisoner of war and former forestry engineer for the French government, came to British Columbia with his family, attracted by this province's forests and orchards.

His method is to bend trees at an angle to the ground so they will get more sunshine. He says no support is needed and that better fruit can be produced. He recommends this system for apple, pear and plum trees.

Mr. de la Touche said that waste wood products should be converted into gas from which methanol can be extracted. Cost of starting such a plant he estimated at \$1,700,000 for a 1,000-000-gallon plant.

following main points: 1. Ceilings are being removed on some types of household equipment and supplies, including furniture, small appliances, radios, pianos and clocks, tools and garden equipment, luggage, paints, ice, fresh fruits and vegetables except apples, most kinds of fish and a number of building supplies.

2. Some imported foods, such as fruit juices, and peas, are being decontrolled as well as canned fruits and vegetables other than the large staple items.

3. Controls will be off on barbering, hairdressing and motion picture admissions.

4. Consumer credit regulations are being revoked because their continuance seems less necessary and their effective administration would be a heavy burden.

5. The government has no intention of removing ration control during the present acute housing shortage.

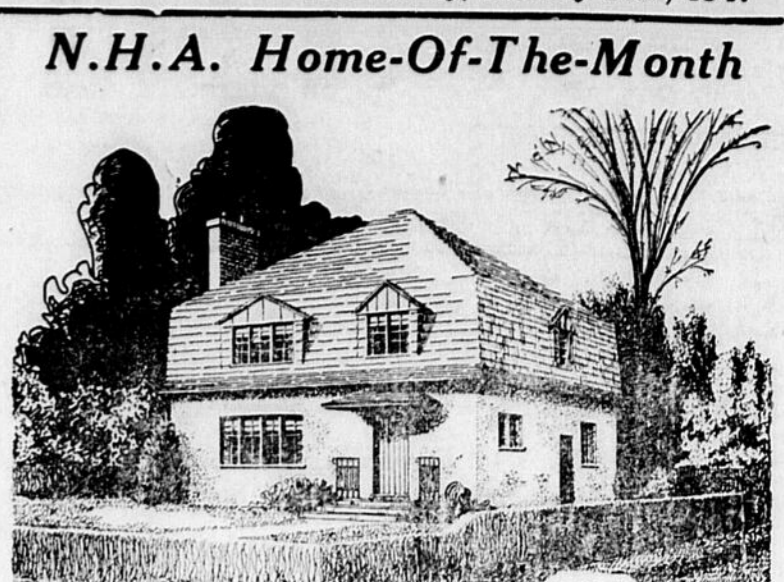
For the majority of Canadians, it was good news that the "Big Four" basic items of living—rent, food, fuel and clothing—will stay within reasonable levels.

One matter which is bound to come up early in the new session opening Jan. 30 is the problem of mining communities in northern Ontario and Quebec.

These communities, which have been supported primarily by the mining of marginal or low grade gold mines, have been making representations to the cabinet suggesting various means by which their plight might be eased. And Resources Minister Glen has promised immediate and serious consideration of their problems.

In recent weeks civic delegations from the Quebec towns of Val D'Or and Malartic have laid their proposals before cabinet ministers, and have been given sympathetic hearings.

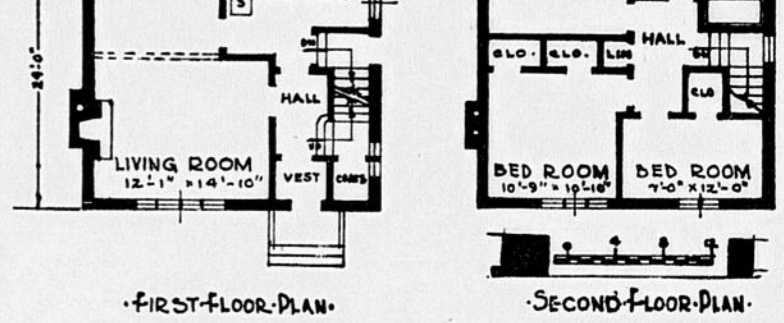
Proposals of the delegations were that the government permit low-grade ore mining companies a minimum tax exemption of 50 cents a ton, with \$50,000 exemption for companies producing less than 100,000 tons a year. They also asked that a subsidy be paid to low-grade gold mines "to encourage and perpetuate this basic industry and the welfare of the communities which are dependent on it."



A French Canadian Provincial styled three-bedroom house has been selected as the N.H.A. Home-of-the-Month. The N.H.A. Home-of-the-Month has been chosen from plans of houses currently being built and financed under the National Housing Act.

Under the National Housing Act, loans for new houses are made on a basis of joint participation by Central Mortgage and Housing Corporation and by approved lending institutions. All negotiations are conducted through the lending institution.

This month's house, which is in the moderate cost bracket, has a large kitchen and adequately sized living and dining rooms on the first floor, with three bedrooms and the bathroom on the second floor.



Simple and direct access to the living room, kitchen and second floor is conveniently provided by the entrance hall. All three bedrooms have ample wall space to facilitate the placing of furniture. The bedroom closets are larger than those customarily provided, thus adding considerably to their value as storage facilities.

NOTE:—Please do not write to Central Mortgage and Housing Corporation for plans or cost estimates of this house. For further information consult a local architect.

\$40,000 Bull Dies. Kitchener, Ont., Gleanston Killarney \$40,000 holstein bull purchased by the Waterloo Holstein Breeders' Association last fall, died on January 6th, it was learned recently.

Two Deer with One Shot. KENTVILLE, N.S. (CP)—How one hunter shot two deer with one bullet and didn't know it until the next day is the story going the rounds here.

Building Materials. Shortages of building materials and housing problems face every community in Canada and if the need of the materials is greater in other towns and cities, then the government is perfectly justified in disposing of these buildings (air-port buildings) inside the area where they now stand.

Sophisticated Youth. Over-sophisticated tastes of young people, are hard to please, too often because parental apathy has driven them to misguided pastimes. In these cases, and generally speaking, the inadequacy of youth organizations may be traced back to—the inadequacy of home life.

Rheumatic Pains Would Wake Her Up at Night—But herbs relieved them. FROM The Procuratrix of a priory comes this simple but sincere tribute to Monastery Herbs—the herbs you do not need to brew.

Monastery Herbs. One of the Sisters has been taking Monastery Herbs regularly, for rheumatic pains and she tells me the pains do not waken her up in the night now."

Monastery Herbs. While many eastern and central Canadian cities reported a growing scarcity of beef, Dominion Agriculture Minister Gardiner termed complaints of meat shortages "completely false."

Wedding Photos. The Gleaner photographer is open to do a limited amount of wedding photography, providing a sufficient amount of photographic material is on hand.

\$4.00 will cover cost of taking one picture, supplying customer with the glossy print and reproduction in The Gleaner. \$2.00 will be charged for each additional negative exposed along with one glossy print.

Additional prints can be had for a nominal charge. Time and transportation expenses will be charged for as an extra.

The Huntingdon Gleaner Inc.

RECIPES

A bowl of hot, flavoured soup is certainly welcomed these cold days, isn't it? The pleasant odour that greets the family coming home either from school or work is the best appetizer and it is very seldom indeed that the call for dinner or supper has to be sounded twice. Soups vary a great deal on several points. To name a few, there is the kind—meat, fish or vegetable; the type—creams, bouillon, consommé or puree and the seasoning. There are recipes for all kinds of soups but quite often if a home-maker is asked for her special or favourite soup recipe, she will be hard put to give it because she varies it according to the ingredients on hand.

Most homemakers have a supply of canned soups, some use them often, others just occasionally, but few of them ever think of combining one variety with another, thus creating something new and different. Milk can be used in place of water with many canned soups, for instance vegetable soup is excellent diluted with milk instead of water. The milk gives it an entirely different flavour.

Meat soups, that is soups made with bones and meat trimmings, not too much fat please, and pea soup are best if cooked slowly, really simmered for a long time. The meat and bones are covered with cold water, brought to the boil and then simmered for two, three or four hours. Whole vegetables like carrots, onions, turnips, celery stalks and leaves may be put in with the meat for added flavour. The stock obtained can be easily clarified by adding crushed egg shells, bringing the stock to the boil and then straining it through cheese cloth. From the stock, which should be kept in a closed container in a cool place, a great many varieties of soups can be prepared. The home economists of the Consumer Section of the Dominion Department of Agriculture give recipes to make meat stock and to use it.

**Beef Stock**  
2 lbs. meat trimmings with bones.  
3 small carrots.  
3 stalks celery.  
2 quarts water, cold.  
1/2 teaspoon whole peppercorns.  
1 bay leaf.  
1 spray of thyme OR 1/2 teaspoon dried thyme.  
1 sprig parsley.  
Salt and pepper to taste.

Put beef, carrots, onions, celery and water in kettle and bring slowly to a boil. The spices and herbs in cheese-bag; add with parsley to soup mixture and simmer, covered for 2 hours. Strain. Yield: 6 cups.

**Refrigerator Rolls**  
1 cake compressed yeast.

**STOP INDIGESTION! YOU NEED MORE LIVER BILE**

Science says two pints daily, yet many get only one. Liver bile helps digest your food and provides your body's natural laxative. Lack of bile causes indigestion, headaches, constipation, loss of energy. Fry's Bile helps you live your life and get needed bile with proven Fruit-A-Tives. Canada's largest selling liver tablets. Made from fruits and herbs.

**FRUIT-A-TIVES LIVER TABLETS**



being a good mother extends into the bathroom

White Swan Toilet Tissue is so scientifically pure, so pleasingly soft, so immaculately white, it is the choice of careful mothers everywhere. Machine-wrapped for your protection.



an EDDY quality product

4 OUT OF 5 WOMEN WHO WIN PRIZES FOR HOME BAKING use Robin Hood Flour Milled from Washed Wheat

OR 1 tablespoon quick rising dry yeast.  
1 cup lukewarm water.  
1 teaspoon sugar.  
1/2 cup shortening.  
1/2 cup sugar.  
1 teaspoon salt.  
1 cup hot mashed potatoes.  
1 cup scalded milk.  
2 eggs (well beaten).  
6-7 cups sifted all-purpose flour.

Dissolve yeast in lukewarm water and add the teaspoon of sugar. Place shortening, sugar and salt in mixing bowl. Add mashed potatoes and cream well. Combine lukewarm milk, eggs and dissolved yeast. Add to first mixture. Add flour to make a stiff dough. Toss on floured board and knead well. Place in a large greased bowl and let rise until double in bulk. If rolls are to be baked immediately. Knead slightly, shape into rolls as desired, cover and let rise until light. Bake in hot oven, 400° F. for 15-20 minutes.

If the dough is to be stored in refrigerator before baking, after first kneading place in a greased container, brush surface with melted fat and cover tightly. About 1 1/2 hours before baking time shape into rolls as desired. Let rise until light and bake as above.

Yeast doughs may be frozen and kept for a longer period than if stored in refrigerator cabinet. After first kneading, wrap dough in waxed paper and place in freezing unit. Remove about 4 hours before baking time. Let rise until dough is light, this will take about 3 hours. Knead slightly, shape into rolls and let rise until light. Bake in a hot oven 400° F. for 15-20 minutes.

FARM FORUMS

**HERDMAN GROUP**  
The Herdman Farm Forum met at the home of Mr. and Mrs. Lyle Graham, on Jan. 13th. Discussion on the topic "What should the World Federation do?" followed the broadcast. It was the general opinion that butter need not be imported from New Zealand or elsewhere if the government would raise the price of butter to a par with other milk products. The evening closed with games and refreshments.

**TROUT RIVER GROUP**  
The Trout River Farm Forum Group met at the home of Mr. Andrew MacFarlane, on Monday night, Jan. 13th, with an attendance of 25. Mr. Wilbur Arthur taking a sledge load of 15. The subject of the Radio Broadcast which was heard from Calgary, and partly dramatized, "Agriculture is a risky business", was discussed in two groups and agreed, the weather is a threat over all the farmers activities, also animal and plant diseases. The dairy farmer at present needs government assistance in obtaining a fair price for milk, if there are to be any dairy farmers left.

Cards were played and refreshments served by Miss Cora and Helen MacFarlane and an enjoyable evening spent. The next meeting will be held at the home of Mr. Alex. Robb, on Monday evening, January 13th.

**TROUT RIVER GROUP**  
The Trout River Farm Forum

group met at the home of Mr. and Mrs. Alex. Robb, on Monday night, January 13th, with an attendance of thirty. The subject of the radio broadcast "What should the World Federation do?" was broadcast from Regina. The question was discussed in two groups and agreed that all farmers should be members of the International Federation of Agricultural Producers, whose purpose is to promote the well-being of all who obtain their livelihood from the land.

Cards were played and refreshments served by Mr. and Mrs. Robb, and an enjoyable evening spent. The next meeting will be held at the home of Mr. and Mrs. Wilbur Arthur, on Monday night, Jan. 20th.

**BEAVER GROUP**  
The Beaver Farm Forum group held its first meeting of the New Year at the home of Mr. and Mrs. Ernest Watson and Mr. and Mrs. Lisle Watson. There were 12 members and 2 visitors present. Two new members joined the group.

The topic for the evening, "Agriculture is a Risky Business", was discussed from various angles. It was thought that probably the main factor back of the risk in Agriculture was first and foremost - the weather!

Subscriptions to the "Macdonald College Journal" were handled by the secretary, Mr. Clarence Platt. Cards were played at two tables, while others busied themselves with Rummoli. Refreshments were served by Mesdames Watson and altogether a very pleasant evening was spent by those present.

The next Forum meeting will be held at the home of Mr. and Mrs. Matland Platt.

**BROOKLET GROUP**  
The regular meeting of the Brooklet Farm Forum was held at the home of Mr. and Mrs. Walter Elliott, on Monday evening, Jan. 6th, with an average attendance. The topic was "Agriculture is a risky business". The broadcast was heard and the usual discussions followed.

The recreation period was spent in visiting and playing cards. Refreshments were served at the close. The next meeting will be held at the Elliotts' home.

**O'NEIL'S CORNERS GROUP**  
The O'Neil's Corners Farm Forum met at the home of Mr. and Mrs. P. J. Dineen, 25 members being present. After listening to the broadcast on the radio, a discussion followed. Music was enjoyed and cards were played, after which delicious refreshments were served. The next meeting will be at the home of Mr. and Mrs. M. W. Curran.

**GORE GROUP**  
The Gore Farm Forum met at the home of Mr. Ord Taylor on January 9th. The broadcast was on the topic "Agriculture is a Risky Business". It was agreed that Government aid could be given towards control of Bangs Disease and Mastitis, along similar lines to tubercular tests.

Cards followed the discussion, when Mr. Mervyn Graham had high score.

The Gore Farm Forum met at the home of Mr. Cyril Foster with 15 members in an attendance. Discussion on the question of the evening followed the broadcast. It was thought that the sooner farmers had increased returns from their milk the better, as surplus milk in winter months, when production is low and costs high, is not a paying proposition.

Mrs. Lloyd Taylor was winner of high score at cards.

**Brooklet**  
A very pleasant evening was spent at the Erskine home, on Christmas Eve, when the members of the family gathered to celebrate the 40th wedding anniversary of Mr. and Mrs. Ernest Erskine. They were presented with a wedding cake made by their daughter, Mrs. Nelson Anderson, also a pair of woolen blankets by the family. A delicious dinner was served and an enjoyable evening spent. All wish Mr. and Mrs. Erskine many more anniversaries.

Mrs. Florence Clark, of Cleveland, Ohio, spent a few days the past week with Mr. and Mrs. J. O. Levers and called on other friends. Mr. Fred Lavery, of Flint, Michigan; Mr. and Mrs. Walker McArthur and Joan, of Lachute, and Miss Willow Lavery, a teacher in Montreal, spent Sunday with relatives in this vicinity.

The November meeting of the Women's Missionary Society of Rennie United Church, was held at the home of Mrs. H. E. Wilson. The president Mrs. M. J. Rosevear had charge. The program in the Missionary Monthly was followed. During the work period a quilt was tied. A delicious supper was served by Mrs. Wilson.

The December meeting of the Women's Missionary Society of Rennie United Church was held at the Erskine home. The president, Mrs. M. J. Rosevear, had charge of the meeting following the candlelight service from the missionary monthly with several members assisting. Christmas hymns were sung. A hole was packed to be sent for supply work.

This being the annual meeting the election of officers was as follows: Hon. Pres. Mrs. Robt. Steel, Mrs. M. J. Rosevear; Pres. Mrs. H.

E. Wilson; 1st Vice Pres. Mrs. Rosevear; 2nd Vice Pres. Mrs. Geo. Erskine; Sec. Mrs. W. J. Matther; Treas. Mrs. E. R. Erskine; Supply Sec. Mrs. Geo. Erskine; Missionary Monthly Sec. Mrs. Geo. Erskine; Community Friendship, Mrs. Rosevear; Christian Stewardship and Finance, Mrs. Rosevear; Temperance, Mrs. J. O. Levers; Press Sec. Mrs. W. J. Matther; Literature, Mrs. H. E. Wilson; Associate Members, Mrs. Erskine; Work Committee, Mrs. Leggett, Mrs. Rosevear and Mrs. Robt. Steel; Delegates to the Presbytery, Mrs. Wilson, Mrs. Rosevear and Mrs. R. Steel. Refreshments were served by Mrs. Geo. and Mrs. E. Erskine.

**Weddings**  
**DAVIDSON-BRADSHAW**  
In St. James Church, Bedford, Que., the wedding took place on Saturday afternoon, December 28, at half-past three o'clock, of Penelope Smith, daughter of Mr. and Mrs. William B. Bradshaw, of Bedford, Que., and Mr. James F. Davidson, son of Mr. and Mrs. Carl G. Davidson, of Waterloo, Que. The Rev. M. A. Stephens performed the ceremony and Mrs. Harry Jones played the wedding music. White carnations adorned the altar and Christmas decorations were arranged in the church.

Given in marriage by her father, the bride wore a gown of white crepe, having a sweetheart neckline and a very full skirt. Her finger tip veil of tulleusion was held by sequined Juliet cap and she carried a bouquet of Briarcliff roses.

Miss Audrey Bradshaw, as her sister's maid of honor, was in a frock of turquoise crepe fashioned on the same lines as that worn by the bride. She wore a matching Juliet cap trimmed with gold sequins and carried a matching muff trimmed with a spray of tea roses.

Capt. Robert Boright, of Rockcliffe, Ont., was best man and the ushers were Mr. Donald Davidson, of Waterloo, Que., brother of the bridegroom, and Mr. W. MacIntyre Bradshaw, brother of the bride, of Sherbrooke.

The reception was held at the residence of the bride's parents, where white tapers in crystal holders and flowers were arranged on the bride's table. Later Mr. and Mrs. Davidson left on their wedding trip, the bride travelling in a turquoise wool suit under a brown fur coat and wearing brown accessories and a corsage bouquet of roses. The couple will reside in St. John's, Que.

Decorations at church and house were of white pom-poms and pink carnations. During the mass a musical program was contributed by Marcelle Martin-Gratton and Francois Brunet, tenor.

The bride, given in marriage by her god-father, Mr. P. A. Juneau, P.C. of Quebec, wore a street-length frock of French crepe in dull gold shade, with brown accessories and carried a brown corsage purse on which was pinned a nosegay of Talisman roses.

Mr. J. N. Latraverse was witness for his son.

Following the ceremony, there was a small reception at the residence of the bride's mother. The bride's table was centered with the wedding cake and candelabra holding long white tapers, other decorations being of white pom-poms and pink carnations.

After the reception Lieutenant and Mrs. Latraverse left for the Laurentians, the bride travelling in a two-piece suit of soft wool in autumn green shade, with brown accessories and a top coat of brown lamb.

On their return, the couple will reside in Outremount.

The bride, who belongs to the Montreal Figure Skating Club, was a member of the Ice Capades Company last year.

**Covey Hill**  
Friends have received seasonal tokens in the shape of charming calendars from Messrs. W. J. Orr of Hamilton, Ont., and Mr. Sam Orr of Newark, N.J. The one from Mr. W. J. Orr contains gems from the writings and speeches of the good and great, while that from Mr. S. Orr is a gem in itself, quite tiny but with the birthdays of good and great Americans and also other days of note, in lovely colours.

Mrs. V. Jodoin's little daughter Lynce was being very sick but has recovered.

Mr. Geo. Gowdley is now well again after having the mumps, but Master Tom Lowden is ill with the same trouble.

Mr. and Mrs. Amos Menard were called to the city on account of the death of Mrs. Menard's brother, Mr. Joseph Favreau. The funeral took place at the St. Antoine Abbé Church.

Congratulations to Mr. and Mrs. Raymond Bourdon of Verdun on the birth of their firstborn, a son, on Jan. 11.

Miss Jean Lowden, of Huntingdon, spent the week-end with her

sister, Mrs. Allan Sutton. Jean's friends, young and old, were greatly pleased to see her.

The school bus driver has found it impossible to make the trip down the Hill during the past week, but Mr. Raymond Cowan has now succeeded in ploughing the road.

A letter from Mr. A. Lowe's cousin in living not far from London speaks of many shortages. Pyrex appeared in shops but in half-an-hour was sold out. Housewives had to substitute prunes for currants and raisins in Christmas baking. At a banquet which the writer attended no coffee could be served. The bacon ration was cut from 3 to 2 ounces weekly. No wallpaper was to be had, so tinting was used instead.

**Hemmingford**  
School re-opened here on Monday morning after two-weeks holidays. Miss Barbara Smith who is taking the teachers course at Macdonald College is teaching in the school for a week.

Mr. and Mrs. F. A. Pelletier, entertained their family on New Year's Day. Miss Gladys Pelletier of Montreal, Mr. and Mrs. Frank Pelletier and baby daughter, Carol, of Lacolle, Mr. and Mrs. Lyle Simpson and son David, Mr. J. A. Crise, of Montreal, was a New Year guest at the same home.

Miss Margaret Laurie returned on Saturday night to resume her teaching duties at Commissioners High School, in Quebec City, after spending her holidays with her parents, Mr. and Mrs. D. M. Laurie. Miss Barbara Laurie nurse-in-training at the Royal Victoria Hospital, was a Saturday visitor with her parents also.

Mr. and Mrs. George Whitehouse and infant son, Allan, of Ville Emard, were holiday guests of Mrs. Whitehouse's parents, Mr. and Mrs. Tom Summers.

Mr. and Mrs. Robert Hadley and two sons Ronnie and Glen, spent New Year's Day with Mr. and Mrs. Robert A. Akester and Norman.

Rev. T. E. Bennett spent a few days the past week in Montreal.

The funeral service of the late Miss Margaret M. Mounsey was held on Dec. 27th, from his late residence, Rev. T. E. Bennett conducted the service. Burial took place in the Hemmingford Protestant Cemetery.

Mrs. F. A. Pelletier and Mrs. Lyle Simpson attended the funeral of the late Mrs. M. J. Hart, which was held from D. A. Collins Undertaking parlor, on Thursday last. The Rev. T. Jones presided over the funeral service. The late Mrs. Hart had been in failing health for some time, as she suffered a stroke about a year and a half ago. Sincere sympathy is extended to her bereaved husband and family.

Mrs. Byres, of Montreal, is a guest at the home of her son-in-law and daughter, Mr. and Mrs. James Ferguson over the week-end.

Miss May Bennett returned on Friday evening after spending a week with her Aunt, Mrs. Hope, of Smiths Falls, and a few days in Ottawa.

Mrs. Colin Edwards was a Friday afternoon visitor with Mrs. Willie Ryan.

The regular meeting of Victory Chapter No. 34 O.E.S. was held in the Masonic Hall, on Friday evening. A hot dish supper was served to thirty-six members before the meeting opened. Mrs. Howard Havelor installed the officers for the coming year as follows: Worthy Matron, Mrs. Hazel Stewart; Worthy Patron, Mr. Aymer Hadley; Associate Matron, Mrs. Evelyn Hadley; Associate Patron, Mr. Lynnwood Cookman; Conduress, Mrs. May Hadley; Associate Conduress, Mrs. Florence Barr; Secretary, Mrs. Thelma Kennedy; Treasurer, Mrs. Marguerite McNaughton; Organist, Mrs. Jessie Cookman; Chaplain, Mrs. Doris Cookman; Marshal, Mrs. Ethel McNaughton; Star Points, Mrs. Irene Brown, Miss May Bennett, Mrs. Violet Neilan, Mrs. Marguerite McNaughton, Mrs. Helen Keady; Warden, Mrs. Nettie McKay; Sentinel, Mr. James Akester; Mrs. Henry Stewart and son Bert spent the week-end in Montreal.

Mr. and Mrs. Kyle Smiley and family, of Oxford Mills, Ont., and Mrs. Thomas Welden and son, Howard, of Montreal, were holiday guests of Mr. and Mrs. Theodore Jackson.

Miss Barbara Walsh returned on Sunday evening to McGill College, to resume her studies there after spending two weeks with her parents, Mr. and Mrs. G. S. Walsh and Kenneth.

Mr. and Mrs. Cecil Jackson entertained at a New Year's Eve party in honour of Mr. Jackson's brother, of Cabri, Sask., who is visiting his parents during the holiday season.

The dance held in the Forrest Fughey Memorial Hall, on Friday evening, Dec. 27th, was very well attended and a most enjoyable time was spent by all present. The Fisher Orchestra was in attendance.

The New Year's Eve party held in the United Church Hall drew quite a large crowd. The young people all having a good time.

Miss Ann Reid, of Montreal, was a New Year's guest of her parents, Mr. and Mrs. F. J. M. Reid. Miss Edna Reid, of Chateauguay, was also a guest at the same home.

Mr. and Mrs. C. R. Ellerston, Mrs. Wanita Upton and son Walter spent Sunday with Mr. and Mrs. Vernon Ellerston and family.

The Women's Missionary Society held their meeting on Friday afternoon, Dec. 27th, at the home of Mrs. George J. Brown. It being the last meeting in 1946, a slate of officers for the ensuing year was presented and accepted.

They read as follows: President, Mrs. T. E. Clelland; First Vice President, Mrs. George J. Brown; Second Vice President, Mrs. R. C. Bellin; Treasurer, Mrs. J. P. Simpson; Secretary, Miss J. Wilson; Convenor of Work Committee, Mrs. S. J. Cunningham.

A chapter from the Study book on "India", was ably told and explained by Mrs. J. P. Simpson and enjoyed by all. Delicious refreshments were served by the hostess. (Intended for last week's Gleaner)

On Thursday night, Dec. 19, the Principal, Mr. Bruce and Mrs. Barr entertained their fellow teachers, members of the School Board and their wives and pupils to a Christ-

**Tatehurst**  
Mr. and Mrs. George Hooker celebrated the 52nd anniversary of their wedding on Friday, January 3rd, when members of their family called to congratulate them.

Mrs. Leslie Hastie spent the Christmas holiday with her Aunt in Detroit, Mich.

Miss Ruth Hooker has returned to Montreal to resume her studies after spending a holiday with her parents, Mr. and Mrs. Eddie Hooker.

Mrs. Eva Cavers has returned to Ottawa to spend some time with Mr. and Mrs. Gerard O'Kelly, having spent Christmas and New Year's with Mr. and Mrs. Allan Cavers.

Miss Jonela MacDougall arrived by plane from Hamilton, Bermuda and spent Saturday at her home here before returning by plane to her nursing duties in Bermuda.

Lower Ormstown Farm Forum met on Monday evening at the home of Mr. and Mrs. William McGerrigle with a large attendance.

Following the radio broadcast, Mr. Douglas Sproule led the discussion on "Agriculture is a risky business". The group's findings were recorded by the secretary, Mrs. William Rice.

A social hour followed and refreshments were served. The Forum was invited to meet at the home of Mr. and Mrs. Everett Forrester for their next meeting.

Recent guests of Mr. and Mrs. William English were: Mr. and Mrs. Arden Douglas, Mr. and Mrs. Wallace Bar and Lily, of Rockburn, Mr. and Mrs. Robert McElenaghan and Lawrence, of Riverfield.

Mrs. Alan Hooker entertained on Tuesday at a luncheon in honor of Miss Jane Quintin, of Sherbrooke, who spent the past week with Miss Audrey Weale. Covers were laid for eight.

Mr. and Mrs. Clifford Merritt arrived from England on Christmas Eve and spent the past two weeks with Miss Florence and Mr. Kenneth Cook. Mrs. Merritt's home is in Barbours, Sussex, England. Mr. and Mrs. Merritt left this week to visit relatives in Vancouver, B.C.

**W.I. NOTES**  
**DUNDEE BRANCH**

In spite of driveways blocked by snow nine Institute members arrived at Mrs. N. H. McNeil's home by various methods of travel for their January meeting.

The roll call "A domestic I would like to have a man do", proved to be quite humorous. Literature concerning the new service of the Blue Cross Hospitalization Plan was distributed. The question of tax exemption for W. I. dances was discussed. Mrs. H. A. Cameron read the seasonal greetings to the Dundee W. I. which she had received from Reggie Watson. Mrs. Smallman's letter was also read. The F.W.I.C. stamps are now available, but it was thought advisable to wait until the February meeting to order some as more members might be present.

Miss Gladys Vass, Matron of the Huntingdon County Hospital, sent a request to the Dundee W. I. for a tasty supper dish recipe.

The treasurer reported \$83.10 as cash on hand. Mrs. A. H. Fraser handed in \$2.29 as profits on cards she had sold for the Institute.

It was decided to register with the U.N.O. and the fee of \$2.00 was to be sent in Mrs. J. Fleming's name as she is convener of National and International Affairs.

Conveners' reports: National and International Relations: For Life Worth Living.

Publicity: Pictures of Canadians receiving Citizenship certificates.

At the close of the meeting a delicious supper was served by the hostesses, Mrs. N. H. McNeil and Mrs. D. D. Fraser.

**HUNTINGDON BRANCH**  
The Huntingdon W. I. met at the home of Mrs. Bernhardt, on Tuesday afternoon, Jan. 7th, with an attendance of 30. The roll call was answered with Scotch jokes. Cards of thanks were read from Mrs. McEwen and one from Miss Cook in England, who received a personal parcel this last month. An extra personal parcel valued at over \$9.00 was donated by the members at the December meeting.

Mrs. Hamilton read a Scotch history; Mrs. Dahms a paper on story; Mrs. Fred Bruce a paper on National and International relations; Mrs. Sherman Robb a reading on education; Miss Turner a paper on Canadian Women's Clubs; Mrs. Gaw spoke on health and welfare; Mrs. Alex Robb a paper on resolutions; Mrs. McCartney gave a practical idea.

The new Blue Cross enrollment cards were distributed to the members. The meeting closed with the mishap.

Refreshments were served by Mrs. Bernhardt, Mrs. Clyde and Mrs. Stark.

The Quality Tea "SALADA" ORANGE PEKOE

coupons only permit me to buy 16 tins a month and I require 30. Is there any provision made for children on a prescribed diet?

A—Recently all baby fruit has been removed from the list of rationed commodities. You may buy as many cans as you like without surrendering any coupons.

Q—Has the price ceiling been taken off luggage? I bought a duffel bag and was charged \$12.67. This bag is only imitation leather and I am of the opinion I paid at least \$5.00 too much.

A—There is still a ceiling price on luggage of all kinds, including trunks, suit cases, travelling bags, haversacks, and dunnage bags. From the description contained in your letter we could not say the exact price you should have paid for the bag you purchased. As you gave us the name of the store we will have it checked for you.

**Price Control and Rationing Notes**  
This column is conducted under the supervision of the Women's Regional Advisory Committee to the Wartime Prices and Trade Board.

Readers may direct their questions, giving their name and address and mentioning the name of this paper to Information Branch, WPTB, 490 Sussex Street, Ottawa, Ont.

Q—How many tins of molasses weighing one pound 10 ounces per tin could I receive for one coupon?

A—You are entitled to 80 fluid ounces of molasses for one sugar-preserves coupon. A tin containing one pound 10 ounces would be equal to 22 fluid ounces. Therefore, you would receive three tins of molasses for one coupon, but as this only equals 66 ounces you could take out the rest of the coupon value in some other preserves.

Q—My baby requires a 5 oz. tin of baby fruit each day. His sugar

was party held in the principal's room, dancing and games were enjoyed by all, the music for dancing being furnished by Mrs. R. J. M. Reid and Mr. Rufus Fisher, and a record playing machine which was kindly furnished by Mr. Lyle Simpson. At the close of the evening, refreshments were served.

After refreshments, carols were sung and the evening was brought to a close by the singing of "Auld Lang Syne". A vote of thanks was extended to the teachers and pupils by Messrs. Fisher and Reid on behalf of the School Board.

Mr. T. A. Brisbin spent Monday in Montreal.

Mrs. Willard Cross and children Carl and Sylvia, of Wales, Ont., spent a couple of weeks with her parents, Mr. and Mrs. Donald Douglas. Mr. Douglas accompanied them home, on Tuesday.

Mr. and Mrs. Calvin Edgerton and Donald, visited friends in Lacolle over the holiday.

Quite a number in this community have been suffering with mumps.

Miss Doris Stevenson, of Dundee, was a recent guest of her uncles here.



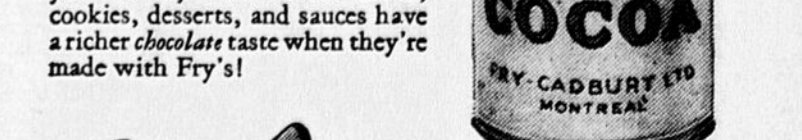
Men court girls who serve cocoa;

Men marry girls who serve FRY'S!

Fry's richer chocolate flavor makes all the difference between just a cup of cocoa and the best cup of cocoa you've ever tasted!

After chores, at breakfast, at bedtime — big chocolaty cups of Fry's are nourishing, satisfying, delicious!

Remember, too — your reputation for cooking will soar when you use Fry's for flavor! Cakes, cookies, desserts, and sauces have a richer chocolate taste when they're made with Fry's!



**FRY'S** The cocoa with the richer chocolate flavor

Robin Hood Flour Milled from Washed Wheat

HUNTINGDON LOCALS

Cribbage Club—Second Game
The following are scores made by the various members of the newly formed Cribbage Club, at their second game, held on Monday evening:

Table with columns: Name, Ave. Score, Games Played. Includes names like Wm. Dewhurst, Irvin Laberge, Lawrence Roy, etc.

Hen Lays Large Egg
Mr. Willard Caldwell, of Huntingdon R.R. 2, brought in a large hen's egg this week to the Gleaner Office.

Christmas Seal Sales \$905.
Further reports of the Christmas Seal Campaign have been received during the past week which have brought the total up to \$905.

O'CONNOR THEATRE

Thursday, Friday, Saturday, January 16-17-18



MURDER IN THE MUSIC HALL

Shorts - News

Sun. - Mon. Jan. 19 - 20

Advertisement for 'Night in Paradise' featuring Merle Oberon and Turhan Bey.

Shorts - News

Tues. - Wed. Jan. 21 - 22

Advertisement for 'Dark Mountain' and 'You Can't Ration Love'.

Temperance Course Winners
In the 19th National Temperance Study Course, the following have been successful in winning prizes given by Huntingdon, W.C.T.U.

Wedding
MUR-WATSON
Miss Ada Watson, formerly of Montreal and one time resident of St. Albans, Vt., was married to Montgomery C. Muir, formerly of Hemmingford, in Westmount, P.Q., Friday evening, Dec. 20, in the Calvary United Church.

Christmas Seal Sales \$905.
Further reports of the Christmas Seal Campaign have been received during the past week which have brought the total up to \$905.

SOME SUGAR SAVERS

It has been a good year in the orchard and garden. Now the ground is snow-covered and the sleeping trees make a lacy pattern against the cold blue sky.

GINGER APPLE UPSIDE-DOWN CAKE

3 tablespoons butter, 1/3 cup brown sugar, 3 apples, 1 cup shortening, 3 cups white sugar, 1 egg, 1/3 cup molasses, 1 cup pastry flour OR 1 cup less 2 tablespoons all-purpose flour, 1 teaspoon baking powder, 1/2 teaspoon soda, 1/2 teaspoon salt, 1/2 teaspoon ginger, 1/2 teaspoon cinnamon, 1/3 cup boiling water.

BUTTERSCOTCH APPLE PIE

1/4 cup brown sugar, 6-8 medium apples, 3 tablespoons brown sugar, 2 tablespoons shortening (half butter), 3 tablespoons flour, 1 cup milk, 1 deep uncooked 9-inch pie shell.

SPICED FARINA PUDDING

1/4 cup farina, 1/4 cup sugar, 1/4 teaspoon salt, 2 teaspoons cinnamon, 1 tablespoon cornstarch, 4 cups milk, 1 cup apples, sliced in 1/4 inch pieces.

NEW COMFORTS FOR RAILWAY TRAVELLERS



When the first of fourteen new parlor cars went into service on the Canadian National Railways recently, it marked the first car of this type built in Canada to have a private room, including many other innovations for Canadian railway travellers' comfort and convenience.

Oddities In The News!

BAD LUCK SPELL
Midhurst, Ont. (CP)—Harley Howey, local farmer, hopes ill-luck has stopped dogging his family.

AGRICULTURE GRADS
Ste. Anne de la Pocatiere, Que. (CP)—Thirty-two students have passed a general horticultural course at the superior agricultural school here.

NOVA SCOTIA ORANGES
Sherbrooke, N.S. (CP)—A house orange plant owned by Mrs. Roy Cameron boasts 11 good-sized oranges.

DESTRUCTIVE FLAMES
TATAMAGUICHE, N.S. (CP)—Flames threatened the main business section of this Colchester county village recently, gutting two buildings for a loss estimated at \$15,000.

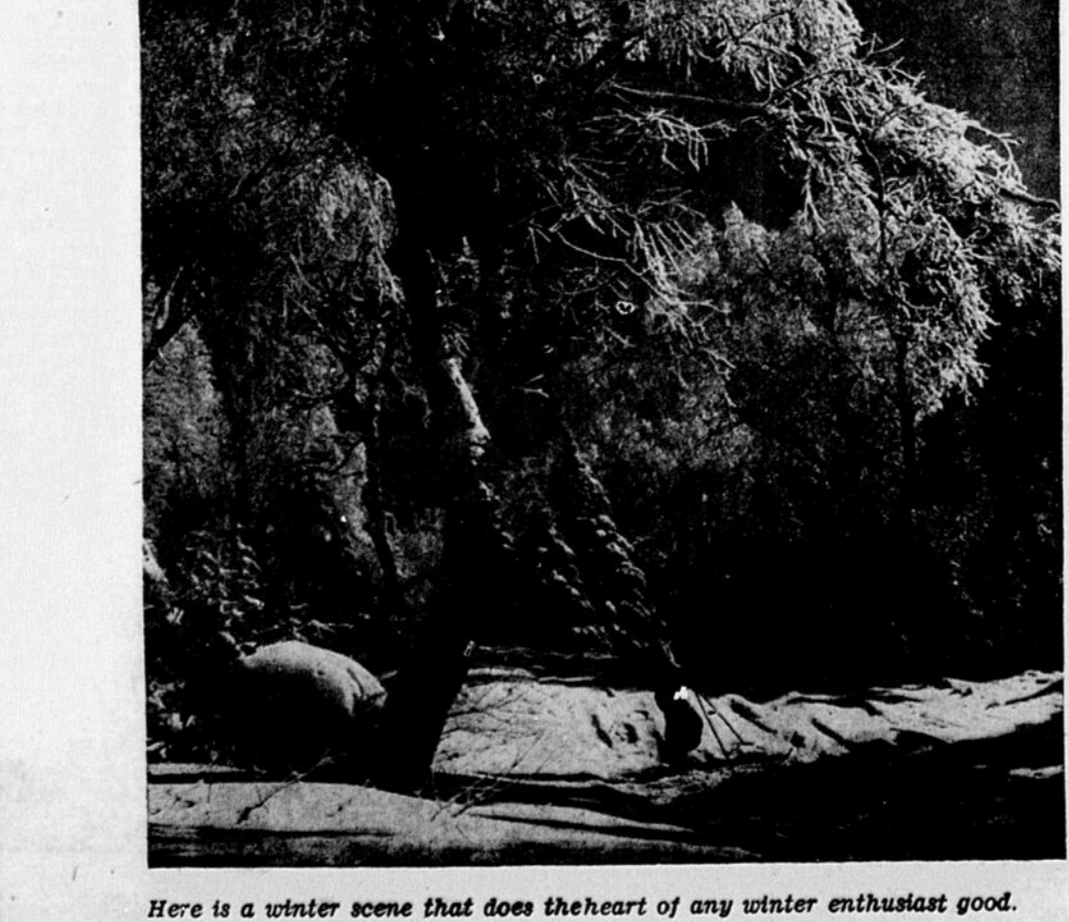
PENALTIES FOR SLEIGHING
ST. JOHN'S, Nfld. (CP)—Children, parents or motorists committing breaches of a recent order regulating coasting, skating and sliding on city streets shall be subject to a maximum fine of \$5.

MAY LIFT FUR TAX
CHARLOTTETOWN, P.E.I. (CP)—This island's fox ranchers have been assured that federal authorities will consider removal of a 10 per cent excise tax on furs when the next budget is prepared.

FISHERMAN'S BLIGHT
YARMOUTH, N.S. (CP)—Expecting heavy loss in equipment but not certain how serious, lobster fishermen of this district eagerly

REGINA BUSINESS BOOMS
REGINA—(CP)—Regina's volume of business for 1946 as reflected by the cashing of cheques at banks is expected to break all records.

TEACHERS ASK BOOST
KITSCOTTY, Alta. (CP)—Declaring present salaries entirely inadequate, the Alberta Teachers' Association at a meeting here recommended basic minimum salaries ranging from \$1,500 to \$2,700.



Here is a winter scene that does the heart of any winter enthusiast good.

A New Year Wish And Prayer

The following poem has been sent to The Gleaner through Mrs. Vernon Elder, St. Agnes, Rev. Mr. Hood, of Montreal. Rev. Hood is 83 years of age and he came to Dundee as a supply minister before the present minister was called.

FAIRNESS BIG FACTOR

The way married couples handle the money question has a bearing on the question of the success of their marriage.

Birthday Greetings

- 12: Mr. Geo. D. Elder, Glenelm, Que.
13: Mrs. D. O. Taylor, Gore.
20: Mrs. N. J. Pennell, Gore.
20: Mrs. Elizabeth Fraser McCartney, 92 years.

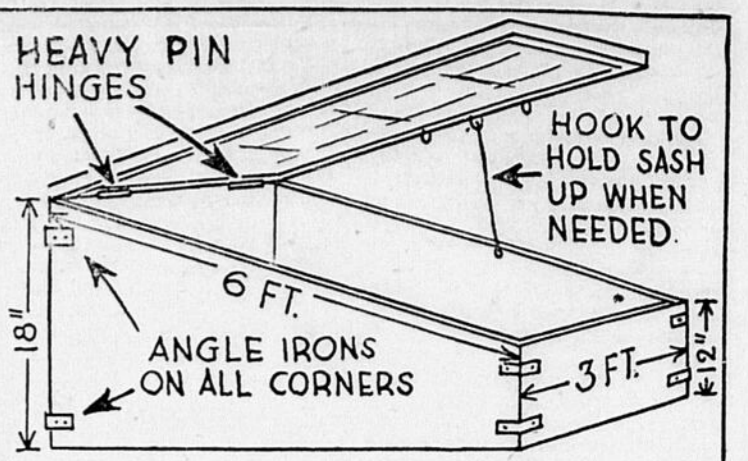
Huntingdon County Council Meeting

An adjourned session of the Huntingdon County Council was held at the usual place and hour of sessions on Wednesday, the 8th day of Jan., 1947.

Chateaugay's Modern Theatre

Theatre listings for Chateaugay's Modern Theatre, including 'The Gay', 'Hurricane', 'Wild Beauty', and 'Desert Horseman'.

Winter Task For Gardener Is Building Cold Frame



A garden task which can be performed in winter is the construction of a cold frame. Every garden should have one: in every month of the year there is important service which it can render.

In some form cold frames have been used by gardeners for centuries; originally they were pits open to the sun in which plants were sheltered from cold winds.

St. Anicet

Mr. and Mrs. Fred Noro spent the week-end in Massena, N.Y., visiting Mr. and Mrs. A. Lattelle.

CLEARANCE OF Hats and Dresses at Half Price

Finest materials and up-to-date models. Vests and Bloomers, Cotton and Silk; Winter Hose and Silk. Kerchiefs, Pure Wool and Rayon. Fascinators, Wool and Silk. Gloves, newest colors and styles.

Advertisement for M. McGINNIS 'THE LITTLE SHOP' at 83 Chateaugay St.

Advertisement for 'The Gay' at Chateaugay's Modern Theatre.

Advertisement for 'RIP-ROARING ACTION! TERROR TRAIL'.

Advertisement for 'HEX' and 'Desert Horseman'.

Advertisement for 'Two Guys From Milwaukee' and 'Searching Wind'.

Born

CULLEN: At the Barrie Memorial Hospital, Ormstown, Que., on January 7th, 1947, to Mr. and Mrs. Gordon Cullen, Ormstown, Que., a daughter.

Farm Forums

AUBREY CORNERS GROUP The Aubrey Corners Farm Forum met on Monday night, Jan. 6th, with Mr. and Mrs. Earl Gardiner.

Ormstown News Notes

(Hamilton) Penalties: Prosser, majors; Referee: Cartier, Jules; Time-keeper: Soucy, Eusebe.

Citizenship Talk

to this peril I would direct your attention but rather to the enemy within. Believe me if democracy is destroyed it will be an inside job.

Chateaugay Village, Chateaugay Basin and Chateaugay Heights News

Well Known Resident of Chateaugay Heights Missing Since Wednesday Search Parties Fail to Find Trace of Missing Man Thought to Have Fallen Through Ice

Heights at present is astonishing to the eyes of any true believer in building material shortages.

Engagement

Mrs. S. Erickson wishes to announce the engagement of her eldest daughter Esther of Newcastle, N.B., to Mr. Stewart Maxwell, second son of Mr. and Mrs. Wm. Maxwell, of 1725 Papineau Ave., Montreal, Que.

Married

LATRAVERSE-RIOX: At Outremont, Que., on December 28th, 1946, Suzanne, daughter of the late G. H. Riox and Mrs. Riox of Outremont, to Lieut. Charles Latraverse, son of Mr. J. N. Latraverse and the late Mrs. Latraverse.

MACINTOSH CORNER GROUP

The Farm Forum Group of this district held their meeting on Monday, January 13th, at the home of Mr. and Mrs. George Williams, with an attendance of four families.

W.I. MEETING

The January meeting of the Ormstown Women's Institute was held Tuesday, January 13th, at the home of Mrs. Ethel McCartney.

Chateaugay Council Purchases New Truck

The Chateaugay winter drivers can feel more at ease on the knowledge that a new truck and plow has been purchased by the council.

Chateaugay Basin Hockey League

The Chateaugay Basin Hockey League opened their season with two league games on Wednesday, Jan. 8, at 8:30 p.m.

Card of Thanks

Mrs. D. S. Dickson and family of Chateaugay Heights, wish to thank the following for their kind and generous contributions.

Died

BARR: At Sarnia, Ontario, on December 26, 1946, Robert Barr, formerly of Ormstown and Allan Corners, Que., in his 37th year.

Ste. Aeneas

Mrs. J. B. Quenneville spent the past week in Nitro, Que., where she was the guest of her son and daughter-in-law, Mr. and Mrs. Leo Quenneville.

Curling Notes

The tea held on Saturday by the Ormstown Ladies' Curling Club was well attended during the afternoon.

Being Blind...

plows, power graders, water pumps, cement mixers, and power rollers. He wrote his report in braille.

Chateaugay Basin

The Women's Association of the St. Andrew's United Church will hold their regular monthly meeting at the home of Mrs. W. Gilbert.

Notice

The next meeting of the British Empire Study Group will be held at the Julius Richardson School at 8:30 p.m. on MONDAY, JAN. 20th, 1947.

MONUMENTS SMITH BROS. EST. 1882 2116 BLEURY ST. MONTREAL. MONUMENTS DELIVERED PREPARED CATALOGUE ON REQUEST.

J. M. Sharpe Funeral Director Ambulance Service Phone 5 R 2 Franklin Centre, Que. 24 HOUR SERVICE

COSGROVE FUNERAL HOME We Have Built Our Reputation on people's complete faith in us, through faithful, conscientious service since 1914. F. H. COSGROVE Ft. Covington - Dundee Phone 2041 or 2732

The Gore Mr. and Mrs. Willie Graham and Mr. Nelson Anderson were Saturday guests at the home of Mrs. Lottie Graham and Mr. and Mrs. Arthur Dear, at Burke, N.Y.

THANK YOU My sincere thanks are extended to those who, during my recent stay in the Barrie Memorial Hospital, sent me cards, flowers, fruit, etc., and also visited me.

In Memoriam ENGLISH: In loving memory of my wife and our mother who passed away Dec. 19th, 1944. Your sudden death was a shock to all.

FARM FORUM Mr. and Mrs. James Smith entertained the River Ontario Farm Forum, on January 13th, at their home.

W. I. Notes HEMMINGFORD BRANCH On Thursday, Mrs. M. B. Fisher and Mrs. C. E. Petch entertained the W. I. at the latter's home.

HEAVY WINTER CATCH THE PAS, Man. (CP)—It will take half a dozen caterpillar freight swings about six weeks to move a record catch of whitefish to the railroad at Wabowden, more than 200 miles south, game officials here estimated.

Being Blind... (Continued from page 1) plows, power graders, water pumps, cement mixers, and power rollers.

W. I. Notes HEMMINGFORD BRANCH After the repetition of the address repeated in union, Mrs. D. Lauric, President, received reports from various committees.

Domestic & Imported Fruits & Vegetables HUBERT DUMOUCHEL Chateaugay Village Wholesale and Retail Sales over District of Beauharnois - Huntingdon Tel. 130-W

Chateaugay Basin The Association's next regular meeting will be held on Jan. 15, at 8:15 p.m. in the School Hall.

Chateaugay Basin The Women's Association of the St. Andrew's United Church will hold their regular monthly meeting at the home of Mrs. W. Gilbert.

Chateaugay Sporting Association's OPENING DANCE Barn Dancing and Modern Dancing at the PLAZA HOTEL FRIDAY, JAN. 17, 1947 DOOR PRIZES

ALAMO THEATRE DANIEL KAYE in THE KID FROM BROOKLYN VIRGINIA MAYO-VERA ELLEN The GOLDWYN GIRLS SAT. and SUN. JAN. 18 and 19

ROD. L'ECUYER GENERAL BUILDER 53 Trudeau St. Chateaugay Heights Phone 611 - R - 22

I. GARAND & SON Plumber - Electrician Agent For FAIRBANKS - MORSE ELECTRIC PUMPS - STOVES - FRIGIDAIRES OIL BURNERS Chateaugay Basin Tel. 63-J

District News Notes

Rockburn Hemmingford

Messrs. Carl Bockus, of Beech Ridge, and Alva Bockus, of Granby, spent a few days at the Christmas season with Mr. and Mrs. Abe Rosevear and called on other friends.

On January 2, a party was given for Joseph, son of Mr. and Mrs. Henry Paré, in honour of his second birthday. The table was decorated in bright Christmas colours.

MODERN FARM HELP PAYS DIVIDENDS

How many times have you thumbed through farm equipment catalogues, or read advertisements describing the modern farm aids now available?

Hector A. Kaufman, Jr. Seriously Injured in Sawmill Accident

The condition of Hector A. Kaufman, Jr., 31, of Perry's Mills, N.Y., critically injured in an accident involving his father's sawmill on Friday, Dec. 27th, 1946, was said to be as good as expected by Champlain Valley Hospital physicians.

District Council Meetings

FRANKLIN COUNCIL
A regular session of the Municipal Council of the Corporation of Township of Franklin was held on Jan. 7th at 2 p.m.

ST. ANICET COUNCIL
A regular session of the Municipal Council of St. Anicet was held in the usual place of meeting, on January 7th, under the presidency of the Mayor, Hédala Caza, Coun. Alcide Carrière was absent.

HINOHNBROOKE COUNCIL
The regular meeting of the Municipal Council of Township Hinohnbrooke was held in Herdman Town Hall on Tuesday, January 7th, at 1 p.m.

Politics in The Pulpit

By LEWIS MILLIGAN

The question as to whether preachers should discuss politics in the pulpit was recently put to the members of the Canadian Council of Churches in a Gallup poll, and the result was said to be overwhelmingly against pulp politics.

Those who were opposed to the idea are said to have reasoned that the church was not the place to take an interest in civic affairs, and that "there should be more Christianity in politics and the clergy should point out the way for us."

Even the 75% who would probably agree with this argument, whether it be applied to politics, business, or domestic life, but politics is such a controversial subject, upon which the members of most congregations are sharply divided, and the preachers themselves, like men like the rest of us, are also of diverse opinions.

This is not a question of freedom of speech; it is a question as to whether the pulpit should enter into a free-for-all fight on party politics, for politics cannot be discussed in these days without reference to political parties or groups. The great majority of the clergy do refrain from discussing politics in their sermons.

Higher returns for pork producers was forecast by Agriculture Minister Gardiner last week, who said new prices on the domestic market will result in higher prices being negotiated in a new bacon contract with Britain.

Robson
Mr. and Mrs. Robert Jackson, Miss Treva Jackson, Mr. and Mrs. Jackson, of Plattsburg, and Mr. and Mrs. Chas. French of Franklin Centre, visited Mr. and Mrs. Robert Blair, and Mr. and Mrs. Joe Jackson, and called at the T. E. Cleland home on Sunday.

THE LATE MRS. ROBERT QUEST
Relatives and friends of Hemmingford and Moores, N.Y., have received the sad news of the death of Mrs. Robert Quest, which occurred in the Regina Hospital, on December 14th, 1946.

THE LATE SISTER HUMBELINE
An organist of distinction, as well as a teacher and artist, Sister Mary Humbeline of the Sisters of the Holy Name, died at the Mother House in Montreal, on Sunday, Jan. 5th.

Forecast Possibility Of Balanced Budget

With parliament due to meet Jan. 30 at a new budget on the horizon, Canadians paid rapt attention to Finance Minister Abbott when he forecast the possibility of a balanced 1946-47 budget.

Previously, Mr. Abbott's predecessor, the now Justice Minister Daley, had predicted a \$260,000,000 to \$300,000,000 deficit. Mr. Abbott's statement heightened the hope of lower income taxes.

Now you know my income and what my expenses are. Can you tell me how I can make both ends meet and pay income taxes?

Mr. and Mrs. Robert Jackson, Miss Treva Jackson, Mr. and Mrs. Jackson, of Plattsburg, and Mr. and Mrs. Chas. French of Franklin Centre, visited Mr. and Mrs. Robert Blair, and Mr. and Mrs. Joe Jackson, and called at the T. E. Cleland home on Sunday.

Mr. and Mrs. Sam Grey and little Miss Barbara and Master Dick Walker, of Plattsburg, were Sunday guests of Mr. and Mrs. Geo. Simpson.

Howick

Guests attending the Findley-Lewis wedding on Saturday Dec. 27th, in St. Andrew's and St. Paul's Church from Howick were, Mr. and Mrs. Wallace Kerr and daughter Bernice, Mrs. Clarence Edwards (nee Eleanor Kerr) was matron of honour for the bride.

Mr. and Mrs. Wallace Kerr, Bernice and Henry Somerville, spent Xmas day with their daughter and son-in-law, Mr. and Mrs. Clarence A. Edwards, Westmount, Montreal.

Obituaries

THE LATE MRS. ROBERT QUEST
Relatives and friends of Hemmingford and Moores, N.Y., have received the sad news of the death of Mrs. Robert Quest, which occurred in the Regina Hospital, on December 14th, 1946.

THE LATE SISTER HUMBELINE
An organist of distinction, as well as a teacher and artist, Sister Mary Humbeline of the Sisters of the Holy Name, died at the Mother House in Montreal, on Sunday, Jan. 5th.

THE LATE MRS. ROBERT QUEST
Relatives and friends of Hemmingford and Moores, N.Y., have received the sad news of the death of Mrs. Robert Quest, which occurred in the Regina Hospital, on December 14th, 1946.

THE LATE SISTER HUMBELINE
An organist of distinction, as well as a teacher and artist, Sister Mary Humbeline of the Sisters of the Holy Name, died at the Mother House in Montreal, on Sunday, Jan. 5th.

THE LATE MRS. ROBERT QUEST
Relatives and friends of Hemmingford and Moores, N.Y., have received the sad news of the death of Mrs. Robert Quest, which occurred in the Regina Hospital, on December 14th, 1946.

THE LATE SISTER HUMBELINE
An organist of distinction, as well as a teacher and artist, Sister Mary Humbeline of the Sisters of the Holy Name, died at the Mother House in Montreal, on Sunday, Jan. 5th.

ITCH CHECKED in a Jiffy - or Money Back
For quick relief from itching caused by eczema, athlete's foot, scabies, dandruff and other itching conditions, use pure, cooling, medicated, liquid Vaseline Itch Relief Lotion. It soothes, soothes, and soothes. It's the only relief you need. Don't suffer. Ask your druggist today for D. D. DISPENSARY.

PROFESSIONAL DIRECTORY

- X-Ray For Diagnosis and Treatment
Erle C. Martin B.A., B.C.L. ADVOCATE
King Street HUNTINGDON, QUE. Phone 401
R. Schurman & Co. CHARTERED ACCOUNTANTS
Room 92 388 St. James St., Montreal
W. S. Brown GRADUATE OPTOMETRIST JEWELLER
146 Chateaugay Street, HUNTINGDON, QUE. Phone 362
Space To Rent
P. J. Brodeur GRADUATE OPTOMETRIST EYESIGHT SPECIALIST
201 Victoria Street VALLEYFIELD, QUE. Phone 111
T. A. Lanier GRADUATE OPTOMETRIST
12 Nicholson Street VALLEYFIELD, QUE. Phone 243
Gabriel Poupart NOTARY CHRYSOSTOME, QUE. Phone 9
Office every Thursday at Hemmingford, Phone 8712
Donald M. Rowat NOTARY
Aldred Building, Montreal
At Huntingdon, in his office in the Court House, every Saturday unless notice to the contrary in Gleaner

Quebec was requested to put a Black Top on the 5th and 6th range Road, and widen the Swamp Road.
That F. C. Moore and Chas. Kyle be notified that the grant from the Council for snow removal on any roads within this municipality of Godmanchester, is \$40.00 per mile, and any expense incurred over and above this amount, they will be obliged to collect from the property owners who engaged them, and govern themselves accordingly.
The Bell Telephone Co. was granted permission to extend their lines according to attached plans, for a distance of 3-8 of a mile, and that Councillor MacDonald be appointed to supervise the work.
The Council has requested the Minister of Roads to maintain the Plank Road, a length of 2.708 miles during the winter of 1946-47.
A letter from Mrs. O'Connor was read and filed, thanking the Council for the resolution of sympathy and the beautiful floral offering.
Letters from Mr. H. Turcot dated Dec. 12 and Dec. 20th, 1946, were read and filed, stating the Government did not give

BUSINESS DIRECTORY

- Laberge Bros. Plumbing, Heating and Sheet Metal Work
Government Licensed Roofing Supplies, Ranges, Furnaces HUNTINGDON, QUE. Phone 452
Romeo Brunet Manufacturer of Reinforced and Fibre Cement Tiles SAND and GRAVEL Furnished to Contractors Phone 16 ORMSTOWN, P.Q.
Insurance and Real Estate Representative for Mutual Life Assurance Co. of Canada and for all forms of Insurance and Bonds. FARM AND TOWN PROPERTIES LISTED
For particulars - Phone 607 r 8 Allan K. English Ormstown, Quebec
G. Stanley Walsh Representing The Mutual Life Assurance Company of Canada also Fire and Automobile Insurance at Reasonable Rates. Enquiries Appreciated. HEMMINGFORD, QUE. Phone 311 r 3
J. H. Prevost CARPENTER and CONTRACTOR Lower Chateaugay St. HUNTINGDON, QUE. Phone 514
AUCTIONEER
T. J. GRAHAM, AN EXPERIENCED salesman will make you Money. If planning a sale large or small, I will be pleased to discuss sale arrangements with you, no obligation. Phone 2442 Huntingdon.
AUDITORS
W. L. CARR, AUTHORIZED Municipal Auditor. Phone 2153, Huntingdon.
J. PAUL CHATEL, AUTHORIZED Municipal and School Corporation Auditor. 199 Victoria St. Valleyfield.
AUTO DEALER
J. M. LEBEY, GENERAL MOTORS dealer, Huntingdon. Phone 821. Residence phone 936.
BEAUTY SHOP
HUNTINGDON BEAUTY SALON, Jean E. Ruddock, Prop. Permanents of all kinds and hair treatments. Phone 348, 123 Chateaugay Street.
BRICK
BRAITHWAITE BROS., AGENTS for Laprairie Co. Inc., Brick and Tile. Phone 446, Huntingdon.
CARPENTERS
J. A. ELLIOTT, CARPENTER AND builder, 32 King Street, B.P. Tile Flooring installed. Phone 2174.
HERBERT W. FERNS, Carpenter, Builder and Contractor, 41 King St., Huntingdon, Tel. 865.
CARTAGE
JOHN RIEL & SON, BOUQUETTE and York St. General carriage service, Prompt and reliable. Phone 442.
DRUGGIST
ED. AUBIN, B.A., DRUGGIST, Chateaugay Street. Prescriptions carefully compounded, Magazines, Photo Finishing. Phone 577.
ELECTRICAL CONTRACTORS
S. J. CURRIE, RADIO SERVICING, Floor Surfacing, Lawn Mower conditioning, Electrical contracting, Appliance Repair, Motor Repair. Phone 418, Lorne Avenue.
GRAHAM McOERRIGLE, Electrical contractor, for complete electrical service. Huntingdon phone 2397.
FOOTWEAR
KELLY & LANKESTER, 114 Chateaugay Street, Footwear, Men's furnishing, sporting goods. Phone 454.
Geo. L. Collum Representing the ROYAL LIVERPOOL INSURANCE Groups - Life - Fire - Automobile Insurance, in all its branches. Farms and Real Estate listed for sale. For terms and rates Phone 672 28, Wellington St., Huntingdon
Machine Shop
General machine work. Pattern makers. City-Assenry welders, Shafting.
ISAIE QUENNEVILLE 106 St. Lawrence St. VALLEYFIELD
W. K. Philips GENERAL INSURANCE of A. L. KINDS At Moderate Rates Phone 561 Huntingdon
W. Keddy & Son Saw Mill & Grist Mill Building Materials, Lumber, Floor, Millfeeds. Telephone 9 r 2 HEMMINGFORD, QUE.
GARAGES
E. J. HOLM, 47 CHATEAUGAY Street, McColl-Frontenac Service Station. We specialize in Max-fak Lubrication, Car washing and Smoothing, Battery charging, Auto accessories. Phone 355.
EMILE SAUVE, ORMSTOWN, 50-noco Gas, and Oil Service, Auto Parts, Accessories, Machinist, General work.
O'CONNORS INC. GARAGE, General motor service. Parts, accessories, Goodyear Tires. Phone 822
GENERAL MERCHANTS
PRINGLE, STARK & COMPANY, Coal, cement, groceries, dry goods. Phone 500.
W. E. LEFEBVRE, GENERAL merchant, Dry goods, gent's furnishings, ladies' wear, boots and shoes. Groceries, flour, feed, etc. Phone 464.
HARDWARE
R. ROLFE & SON, 86 CHATEAUGAY Street. Light and heavy hardware. C.I.L. paints a specialty. Phone 485.
HOTEL
HUNTINGDON CHATEAU, FIFTY-six rooms, Fireproof. Phone 31.
JEWELLER
EMILY WEBBER, JEWELLER and watchmaker. Repairing. Silverware. Clocks. Gifts and novelties. Phone 451.
LADIES' WEAR
ELITE DRESS SHOPPE, MRS. A. Bouchard, 119 Chateaugay Street Phone 719. Ladies' Dresses, coats, blouses, hosiery, lingerie.
MERCHANT TAILOR
F. LEFEBVRE & SON, REGD. High Class Tailors, 93 Chateaugay Street. Phone 471. Full line of Men's Ready-to-Wear Also the Guaranteed Perseph Furnishings.
PLUMBING AND HEATING
H. PRIMAVER, PLUMBING AND heating, 148 Chateaugay Street. General repairs. Good work. Satisfaction guaranteed. Phone 421.
PRINTING
THE HUNTINGDON GLEANER Inc. is equipped to print periodicals or anything from a card to a catalogue. Phone 385.
THEATRE
O'CONNOR THEATRE, CHANGE of program four times a week. Show starts at 8 p.m. daily. Matinee Sunday only at 2:00 p.m.
TRANSPORT SERVICE
ROBERT TRANSPORT REG'D Regular service between Huntingdon and Montreal. Huntingdon phone 404. Montreal Warehouse 1023 Wellington Street. Plateau 8147.
RIEL BROS. TRANSPORT REG'D Regular service between Huntingdon and Montreal. Huntingdon Phone 442. Montreal Warehouse 118 Colborne Street, Wilbank 0121.
WELDING
HOOKER'S MACHINE AND Welding Shop. Electric pipe thawing. Phone 2155, Huntingdon.

MOST MOTHERS DO THIS
If Baby Has A Cold
Best-known home remedy you can use to relieve distress of children's colds is comforting Vicks VapoRub. Even while you rub it on, VapoRub starts to work to ease distress...and it keeps on working during the night. No wonder most mothers do this when a cold strikes. Tonight, try VICKS VAPORUB

FOR THAT GOLD RUB IN...
MINARD'S "KING OF PAIN" LINIMENT

District News Notes

Franklin Centre

On account of the severe storm on Sunday and the unbroken roads early Monday morning, school did not open until Tuesday morning, Jan. 14.

Dundee

The monthly meeting of the W.M.S. was held at the home of Mrs. Charles Fraser, on Thursday, Jan. 9th, with ten members present.

Aubrey - Riverfield

Miss Muriel Cullen, of the Catherine Booth Hospital, Montreal, spent a few days' vacation the past week, with her parents, Mr. and Mrs. Howard Cullen.

Brooklet

The regular monthly meeting of the Women's Missionary Society was held at the home of Mrs. Bertha Leggett, on Thursday, afternoon, Jan. 9th.

Havelock

Mr. and Mrs. Melvin H. Carson and David, were Christmas guests at the home of Miss Eleanor W. Carson.

St. Chrysostome

Mr. and Mrs. Wilfrid Payant, Mr. and Mrs. Lionel Payant were dinner guests of Mr. and Mrs. Walter Smith, of Hemmingford, on Epiphany day.

Dewittville

The W.M.S. Eastern Div. of the United Church, Huntingdon, met at the home of Mrs. Carr, on Friday, the 9th, in the afternoon.

Howick

Miss Marjorie Jay, of Toronto, spent the holiday season at the home of Mr. and Mrs. Gordon Muir.

BACKACHE May be Warning

Backache may be a signal your kidneys are failing to filter excess acids and poisonous wastes from the system. DODD'S Kidney Pills help relieve this condition.

REPEAT THE STIRRING For a good cup of tea: Scald the teapot... use one tea-spoonful of tea for each person... apply fresh, bubbling, boiling water... then stir... then stir again, just before serving. FOR MORE REAL TEA ENJOYMENT - Brisk Tasting LIPSON'S TEA

IMPORTANT GOVERNMENT NOTICE Respecting Price Control

The Wartime Prices and Trade Regulations (Order in Council P.C. 8528 of November 1, 1941) established basic period maximum prices for goods and designated services.

I believe it is desirable therefore that a summary should now be published of those goods and services on which a legal maximum price remains in force under the provisions of the Wartime Prices and Trade Regulations so that all citizens may be given an opportunity to inform themselves of the law.

The complete price control regulations are contained in Wartime Prices and Trade Board Order No. 684 which is available to the public at any office of the Wartime Prices and Trade Board, and to which reference should be made for exact details.

Douglas Coosey Minister of Finance.

GOODS AND SERVICES REMAINING SUBJECT TO MAXIMUM PRICES

Under Wartime Prices and Trade Board Order No. 684

FOODS

- All flours, flour mixes and meals. Yeast. Bread, bread rolls, biscuits and bakery products. Processed cereals, cooked or uncooked, including breakfast cereals, macaroni, vermicelli, spaghetti, noodles and other alimentary paste products. Rice. Pot and pearl barley. Shelled corn, but not including popping corn. Dried peas, soy beans, dried beans except lima beans and red kidney beans. Baking powder. Starch. Sugar, sugar cane syrups, corn syrups, grape sugar, glucose. Edible molasses. Honey. Maple products—1946 production. Candy, confectionery and caramel. Tea, coffee, coffee concentrates. Cocoa beans, cocoa butter, cocoa and chocolate and beverage preparations containing cocoa or powdered milk. Soft drinks and soft drink concentrates, except mineral, sparkling or spring waters in their natural form. Malt, malt extract, malt syrup. Vinegar. Black pepper and white pepper, and substitute containing black or white pepper. Butter. Casing. Cheddar cheese, processed cheese and cream cheese. Concentrated milk products of all kinds. Ice cream. Prepared salad dressings; salad and cooking oils. Salt. Fresh apples—1946 crop. Raisins, currants, prunes, dried dates, dehydrated apples. Tomatoes, tomato sauce, tomato paste, tomato pulp, tomato puree, tomato catsup, chili sauce, when in hermetically sealed cans or glass. Canned pork and beans, canned spaghetti and canned soups. Canned corn, canned peas, canned beans excluding the lima and red kidney varieties. Canned apricots, canned peaches, canned pears, canned cherries, canned plums. Fruits and vegetables in the two preceding items when frozen and sold in consumer size packages. Jams, jellies, marmalades. Meat and meat products, not including game, pet foods, and certain varieties of cooked and canned meats and sandwich spreads.

- Sausage casings, animal and artificial. Live and dressed poultry; poultry products except certain varieties of canned poultry and canned poultry sandwich spreads. Eggs in the shell; eggs frozen or powdered. Canned salmon, canned sea trout, canned pickleds. Edible animal and vegetable fats including lards and shortenings.

CLOTHING

- Men's, youths' and boys' suits, pants, coats and other fabric except fur coats. Men's, youths' and boys' furnishings, as follows: shirts, collars, blouses, underwear, pyjamas, night shirts and dressing gowns. Women's, misses', girls', children's and infants' garments of all kinds (except fur coats) and of any material (except pure silk). Brassieres and foundation garments. Women's, misses', girls' and children's accessories as follows: dummies, bibs, halters, neckwear, collars, cuffs and aprons. Children's and infants' headwear of all kinds, except millinery or hats made from fur felt. Knitted wear of all kinds for either sex, including undergarments, outer garments, hosiery, stockings, socks and headwear, but not including pure silk garments, silk stockings or women's and misses' millinery. Handkerchiefs. Work clothing, including aprons, for either sex. Uniforms for either sex. Sportswear for either sex, but not including bathing suits and bathing caps. Rubber clothing, rubberized clothing, waterproof, show-proof and oiled clothing, except specialized industrial clothing. Gloves, gauntlets, mitts and mittens of all kinds for either sex, except those designed as specialized sports equipment or for specialized industrial uses. Diapers and diaper supports. Footwear of all kinds and of any material.

HOUSEHOLD AND OTHER TEXTILES

- Auto and travelling rugs, awnings, bath mats, bedspreads, blankets of all kinds, canvas fronts, card table covers, comforters, curtains, cushion forms, dish cloths, dish towels, drapes, eider-downs, face cloths, ham-mocks, luncheon sets, mattresses of all kinds, napkins, pillows, pillow cases, pillow forms, quilts, sails, sheets

- (Including rubber and plastic coated sheeting), shower curtains, silence cloths, sleeping bags, swings, table cloths, throws, throw-overs, towels, wash cloths, window blinds, window shades. Slip covers for furniture; covers for baby carriages, bassinets, cribs, cushions, mattresses, ironing boards and toilet seats. Pads for baby baskets, baby carriages, card tables, chairs, ironing boards, mattresses and playpens. Bags for household use, garment bags, haversacks, dunnage bags. Tarpaulins and other protective coverings of canvas. Scrap fabrics, including used scrap fabrics except wiping rags. Floor rugs and mats chiefly of cotton. Table and shelf oilcloth.

DOMESTIC FUELS

- Coal, coke and briquettes. Wood fuels, sawdust and charcoal.

HOUSEHOLD EQUIPMENT AND SUPPLIES

- Cooking stoves and ranges, but not including range-tops. Electrical and gas refrigerators. Washing machines. Furnaces, fire-place heaters and other heating equipment except portable electric heaters. Jacket heaters and other water heating equipment. Plumbing and sanitary equipment as follows: (a) All pipe and fittings of a type and size suitable for installation in domestic heating or water systems. (b) All equipment known commercially as "plumbers' brass". (c) Other plumbing and sanitary equipment as follows:— bathtubs, closet bowls, commodes, closet seats and hinges, chemical closets, closet tanks, household water softeners, household water storage tanks, lavatories, laundry tubs, septic tanks, sinks, shower baths, soil pipe and fittings, wash basins. Domestic sewing machines. Soap and soap compounds.

MOTOR VEHICLES AND ACCESSORIES, BICYCLES

- Motor vehicles, including parts and accessories, as follows: passenger motor vehicles designed to carry less than ten persons; motorcycles; trucks and trailers used with trucks. Automotive truck bodies. Pneumatic tires and tubes. Storage batteries, except for specialized industrial uses.

CONSTRUCTION PRODUCTS

- Lumber of all kinds. Millwork such as doors, sashes, windows, stairs and gates. Plywood and veneers. Pre-cut lumber products designed for use in residential or farm buildings, but not including fully pre-fabricated buildings. Gypsum board and gypsum lath. Wallboards and building boards. Insulation products, but not including pipe and boiler coverings. Builders' lime and plaster. Cast iron soil pipe. Nails, staples, rivets, bolts and nuts. Builders' hardware and locks. Building wires and wiring devices for residential buildings.

AGRICULTURAL MACHINERY, IMPLEMENTS, EQUIPMENT AND SUPPLIES

- Practically all items of farm machinery, including planting, seeding and fertilizing equipment, plows, tillage implements and cultivators, haying machinery, harvesting machinery, tractors, wagons, dairy machines and equipment, sprayers and dusters. Articles of barn and barnyard equipment. Incubators, brooders, poultry feeding and watering equipment. Stationary gas engines. Bookkeepers' supplies. Harness and harness hardware. Barbed wire and other fencing wire and fences. Horseshoes and horseshoe coules and nails. Binder twine. Wheelbarrows. Feeds and feed products of all kinds except horse meat, pet foods, straw, clam shell and poultry grit. Agricultural limestone, hydrated lime and chemical fertilizers of all kinds. Copher poisons. Seed beans and seed peas. Grains as follows:— wheat; barley; oats; flaxseed; buckwheat; rapeseed; sunflower seed; grain screenings.

RAW AND PROCESSED MATERIALS

- Basic iron and steel products and alloys, including pig iron, cast iron, scrap, ingots, bars, plate, rods, and wire. Primary, secondary and fabricated mill forms of the following non-ferrous metals and their alloys: aluminum, antimony, copper, lead, nickel, tin and zinc.

TRACTOR DISTILLATES AND GASOLINE

- Crude rubber, synthetic rubber and latices, reclaimed rubber and Kraft waste. Basic industrial or agricultural chemicals. Dyestuffs, pigments and oxides. All fats and oils, including Vitamin A oils, of animal, vegetable or marine origin but not including cod liver oil when bottled for sale at retail prices. Plastic sheeting and other plastic shapes for further processing. Crushed or burnt limestone. All fats and oils, including Vitamin A oils, of animal, vegetable or marine origin but not including cod liver oil when bottled for sale at retail prices. Starches. All kinds of knitted or woven fabrics, except pure silk fabrics. Bobbinet, dress and curtain nets and netting. Yarns and threads, except pure silk, for the knitting and weaving of fabrics. Hides and skins from animals, reptiles or fish of a type ordinarily processed for use as a leather. Leathers and synthetic leathers of all kinds. Sheepskins, shearings, tanned, but not further processed than combed or sheared and coloured on the flesh side.

PULP, PAPER AND PAPER PRODUCTS

- Pulpwood. Wastepaper. Wood pulp, except (a) dissolving grades, (b) "alpha" grades of bleached sulphate, (c) "Duracel", (d) groundwood and unbleached sulphite grades sold for the manufacture of newsprint or hanging paper. Newsprint paper except when sold by manufacturers thereof. Certain paper products of book, writing, light weight and specialty paper mills, such as bond and stationery paper, duplicating paper, book and writing paper, Bristols, uncoated blotting paper, cover paper and most papers for converting purposes.

CONTAINERS AND PACKAGING MATERIALS

- Containers, packaging and wrapping devices of a type used for the sale or shipment of products, when made in whole or in part from wood, metal, a textile fabric or solid or corrugated fibre board, and partitions and interior parts used in conjunction therewith. Multiwall sacks. Corrugated or solid fibre board sheets or rolls used for wrapping or packaging. Cotton cordage.

SERVICES

- Transportation of goods and services associated therewith. Warehousing, dry storage of general merchandise and household goods other than wearing apparel, cold storage, including rental of lockers and ancillary services such as processing charges in cold storage plants. Household laundering services. Supplying of meals or refreshments for consumption on the seller's premises, the supplying of beverages (except alcoholic beverages) by purveyors of meals or refreshments; the supplying of meals with sleeping accommodation for a combined charge, but not including the supplying of meals, refreshments or sleeping accommodation by an employer to his employees, directly or through a servant or agent. The service of printing, the packing or packaging or any other manufacturing process in respect of any goods subject to maximum prices, when performed on a custom or commission basis.

USED GOODS

- Scrap goods, except scrap rubber and wiping rags. Household mechanical refrigerators, stoves, ranges and other cooking or heating appliances, electric washing machines, domestic sewing machines. Bicycles. Motor vehicles as follows:— passenger motor vehicles designed to carry less than ten persons; trucks of all kinds; trailers used with trucks.

Any material shown above processed for incorporation into, or any fabricated component part of any of the above goods is subject to maximum prices. Also any set which contains an article referred to above is subject to maximum prices even though the remainder of the set consists of articles not referred to.

The foregoing is only a convenient summary of Board Order No. 684. It does not give the full legal text. For full details of the law reference should be made to the Order.

D. GORDON, Chairman. Wartime Prices and Trade Board.

Franklin Rural

Mr. and Mrs. Steve Breza, and son James attended the marriage

in MONTREAL TORONTO stay at The Ford hotel \$1.50 to \$2.50 per person NO HIGHER RADIO IN EVERY ROOM OTTAWA The Lord Elgins \$2.50 to \$4.00 per person

Rheumatic Pains The twinges of rheumatic pains are quickly relieved by the use of Paradol. One tablet a dose, at two hour periods, stops the pain, continued use helps to relieve cause of pain. Paradol does not disappoint. Handbag size, 12 tablets, 35 cts. Economy size, 60 tablets, \$1.00. Dr. Chase's Paradol

For Sale

BARN and Garage at St. John's Church, Huntingdon, the property of St. Paul's Church, Herdman. Size 24 x 30 ft. For further particulars, apply Walter B. Levers, Sec'y, St. Paul's Church, Tel. 734, Herdman, Que.

BUILDING 12 x 22 ft. Oil heater. Single sleigh, wagon box. James Durbin, Huntingdon. Phone 850.

BUILDINGS: one 15 x 25; another 15 x 15; another one 12 x 15. Apply to Charles Trepantier, St. Anicet. Tel. Huntingdon 2408.

ONE PAIR girls' skates C.C.M. tubes complete with boots, size 7 1/2. Phone Huntingdon 2232.

GREEN MOUNTAIN potatoes from New Brunswick. Furnish your own bag. L. Pivin, 168 Chateaugay St. Huntingdon. Phone 889.

REC. HOLSTEIN BULL, Pleasant Valley Dairy, 4 years old, good breeder and quiet to handle. M. Craig, Howick.

CHICKENS ready for the oven, 35c per lb. or alive. Phone 879, Huntingdon.

YOUNG Canary birds, male or female, of any color, yellow, green, blue, also white. Apply to 22 Mignonne St., Bellevue, Que.

NICE AYRESHIRE cow 4 years old, due to freshen Jan. 14th. Blood tested. Tel. 304-23. Apply Fernie Beattie, Hemmingford.

4 YEAR OLD Jersey cow to freshen in a few days. J. Edmund Sproule, Franklin Centre.

JUST ARRIVED, new Renfrew kitchen range, white enamel with warming oven and reservoir. Lyell J. Graham, Athelstan. Tel. Huntingdon 2289.

FOUR STACKS good stock hay, Peter Ferguson & Sons, Phone 728, Huntingdon.

ENSILAGE, about 50 tons, also stack of hay. George Black, Dial Huntingdon 673.

BEATTY electric washer. Phone Huntingdon 2365.

ROY THERMO oil stove, 8 in. burner in perfect condition. Has only been used about a month. Phone Huntingdon 924.

11 CORDS of maple and 25 cords of elm stovewood. Phone 2310, Huntingdon.

DOUBLE GARAGE DOOR 8 feet wide, 7 ft. 6 ins. high, 1 1/2 inch thick. Good quality, 16 hardwood steps to make a stairway, 1 1/2 inches thick. Also porcelain urinal 25 inches wide, 16 inches deep, 5 1/2 inches high. Hargaden, Ormstown, 628, ring 2.

ONE fur lined overcoat, wombat lined, in good condition. Walter Rember, Ormstown Station.

'36 PLYMOUTH motor complete; '29 Plymouth rear end; '31 Chevrolet rear end. Clive Cooke, Phone Huntingdon 2331.

1937 DODGE sedan, Herman Gailpeau, Phone 518, Huntingdon.

POWER DRIVEN ice saw in good condition. Apply James Boyle, Ormstown, Que., Phone 628 r-1-3.

RUG SERVICE

BROADLOOM REVERSIBLE RUGS made from your old carpets and materials. Catalogue and information upon request.

ANGLO-FRENCH CARPET CO. DRUMMOND BLDG., MONTREAL

Farm For Sale

FARM with or without stock and machinery. Situated 1/4 mile from Beaver Crossing on Beaver Road. Apply at farm. Mrs. Lawrence Dear.

BABY CHICKS

Buy your chicks from a government certified hatchery. All flocks producing eggs are carefully selected, banded and blood tested. All flocks are headed by special R.O.P. cockerels. Eggs set must conform to size and weight. Place your order as early as possible and not be disappointed. Before the 10th of Feb. write, after phone 98-2.

Co-operative Hatchery Ormstown CLIFFORD SPROULE, Sec'y-Treas.

Winterdell

Certified Hatchery I wish to extend Season's Greetings to all past and future customers. Day-old chicks will be available at this Hatchery early in February and twice weekly throughout the season. My mating pens are headed with R.O.P. cockerels and special Fast Feathering cockerels. Chicks are available in the following breeds: 1, Barred Rocks; 2, New Hampshire Barred Rocks; 3, Florida; and 3, Special Fast Feathering Barred Rocks. Help me and help yourself to do a better job by placing your chick orders early. James M. Winter, Phone 631-3, Ormstown

Help Wanted

HELP WANTED—MALE AMBITIOUS man wanted for full-time Watkins Route. Remuneration outstanding from the start. Opportunity for advancement. All applications held in strict confidence. Apply Dept. QC-H-1, 2177 Masson St., Montreal 34.

A YOUNG MAN, apprentice-baker, about 17 or 18 years old. Apply to Ponton-Giroux, Huntingdon's Bakery.

A MAN qualified to operate a farm with apple orchard and sugar bush. Free house. Give references. Apply to Doris Stevenson, Dundee, Quebec, Tel. Huntingdon 938.

BREAD DRIVER for district of Howick. Apply D. A. Lang, Canada Bread, Huntingdon. Tel. 862.

Wanted

HORSES AND COWS for fox meat. Russell Williams, Phone 307-4, Hemmingford, Que.

Wanted to Buy

USED 26 oz. bottles, any form. Roussele Bros., makers of San-It Javel Water, 66 York St., Huntingdon.

WANTED to purchase immediately, high grade Holstein bull. Give particulars re age and price. Box 9300, Gleaner Office, Huntingdon.

Wanted to Buy

Wanted to buy farm, or would rent with option of buying; good house and barns, with water and electricity; commuting distance from school. Full particulars—GLEANER BOX NO. 3200, Huntingdon, P.Q.

To Rent

TO RENT for Receptions, Dances, Meetings, etc., Badminton Hall, Huntingdon. Phone R. L. Thinker, Phone 2121, Huntingdon.

LARGE steam-heated room. 96 Wellington St., Huntingdon.

FURNISHED Room. Apply 1 Lorne Ave., Huntingdon.

WANTED TO RENT

A FARM without stock. Apply Box 7777, Gleaner Office, Huntingdon.

Lost

AT FRASER'S Point, Jan. 11th, a small brown, curly haired Irish Spaniel dog. Reward. Dr. Winfrey, Tel. Huntingdon 2161.

BUFFALO ROBE, black with grey lining, on Saturday afternoon, Jan. 11, between Tom Poers and Lost Nation Road, Reward. W. M. Cooper, Athelstan. Phone Huntingdon 2259.

A COLLIE dog, brown with white. John Murphy, Phone 600 r 15, Ormstown.

SPARE TIRE and wheel, Hemmingford district. H. Lowden, Covey Hill, Que., Canada Bread driver.

Found

MONEY at P.O. Owner see M. L. Walsh, 25 York St., Huntingdon.

"FIRE FACTS"

"Fighting Fire is a Race Against Time"

Speed and Preparedness are of major importance. In your home, shop and in the farm buildings. BE PREPARED, JUST IN CASE. You may save yourself regrettable loss if you are equipped with a reliable FIRE EXTINGUISHER recommended for your particular needs. For complete information see R. ROUSSELLE, Fire Extinguisher Sales and Service 66 York St. Tel. 606 HUNTINGDON, QUE. New Extinguishers of any type now in use, Recharging and Testing. All work recorded for future Periodic Checking. If you own an extinguisher or more, MAKE SURE they are in GOOD ORDER NOW.

Good Chicks and Free Chicks

Read what Mr. Broadhurst of Joliette, Que., says about our chicks: "April 30, 1946, the 208 chicks received in splendid condition, not one dead and only one died since. They are the vigorous bunch of chicks I ever received and I have been handling chicks for over 40 years". Order NOW and get the best. Here are our prices: Barred Rock Mixed \$12.00, Pullets \$21.00, White Leghorn Mixed \$12.00, Pullets \$24.00, White Rock Mixed \$15.00, Pullet \$25.00, Brown Leghorn Mixed \$14.00, Pullets \$25.00, Hybrids Rock-Red Mixed \$12.00, Pullets \$21.00, Hybrid Leghorn-Rock Mixed \$12.00, Pullets \$25.00. You also get free chicks.

GODDARD CHICK HATCHERY BRITANNIA HEIGHTS, ONT.

32 Rinks....

(Continued from page 1) Chambers, R. T. Hunter, J. W. Stewart, Skip 4. vs. Aubrey: E. Orr, E. Orr, G. Easton, J. P. Greer, Skip 16. Beauharnois: A. Turnbull, A. Kokko, I. C. Watson, P. Laclair, Skip 3. vs. Howick: I. Knox, J. O. McChery, A. J. Ness, W. A. Peddie, Skip 14. Ormstown: J. Hunter, T. S. Osmond, P. Hope, J. D. Bryson, Skip 14. vs. Aubrey: W. Orr, K. Allen, O. Orr, A. A. Allen, Skip 13. Howick: J. Scoble, A. Holmes, D. Roy, W. E. Logan, Skip 5. vs. Fertile Creek: J. J. Peddie, A. Kerr, J. T. Stewart, R. A. Anderson, Skip 12. St. Johns: J. Duncan, D. Ness, J. Lorden, J. A. Ross, Skip 5. vs. Howick: W. McKell, J. West, Sr., J. W. Holmes, A. M. Ness, Skip 12. Howick: Frank Sutherland, W. Elliot, G. E. Tennant, W. G. McArthur, Skip 12. vs. Aubrey: E. McKell, B. Reddick, K. Robb, Ron. Reddick, Skip 11. 2nd Round Howick: R. B. Ness, Skip 14. vs. Howick: A. R. Allen, Skip 9. Ormstown: Dr. Stalker, Skip 15. vs. Eng. River: H. Robertson, Skip 4. Aubrey: R. Reddick, Skip 15. vs. Howick: W. A. Peddie, Skip 4. Aubrey: W. Allen, Skip 7. vs. Howick: L. J. Gebble, Skip 14. Ormstown: A. Anderson, Skip 9. vs. Howick: R. Stewart, Skip 16.

vs. Aubrey: E. Orr, E. Orr, G. Easton, J. P. Greer, Skip 16. Beauharnois: A. Turnbull, A. Kokko, I. C. Watson, P. Laclair, Skip 3. vs. Howick: I. Knox, J. O. McChery, A. J. Ness, W. A. Peddie, Skip 14. Ormstown: J. Hunter, T. S. Osmond, P. Hope, J. D. Bryson, Skip 14. vs. Aubrey: W. Orr, K. Allen, O. Orr, A. A. Allen, Skip 13. Howick: J. Scoble, A. Holmes, D. Roy, W. E. Logan, Skip 5. vs. Fertile Creek: J. J. Peddie, A. Kerr, J. T. Stewart, R. A. Anderson, Skip 12. St. Johns: J. Duncan, D. Ness, J. Lorden, J. A. Ross, Skip 5. vs. Howick: W. McKell, J. West, Sr., J. W. Holmes, A. M. Ness, Skip 12. Howick: Frank Sutherland, W. Elliot, G. E. Tennant, W. G. McArthur, Skip 12. vs. Aubrey: E. McKell, B. Reddick, K. Robb, Ron. Reddick, Skip 11. 2nd Round Howick: R. B. Ness, Skip 14. vs. Howick: A. R. Allen, Skip 9. Ormstown: Dr. Stalker, Skip 15. vs. Eng. River: H. Robertson, Skip 4. Aubrey: R. Reddick, Skip 15. vs. Howick: W. A. Peddie, Skip 4. Aubrey: W. Allen, Skip 7. vs. Howick: L. J. Gebble, Skip 14. Ormstown: A. Anderson, Skip 9. vs. Howick: R. Stewart, Skip 16.

vs. Aubrey: E. Orr, E. Orr, G. Easton, J. P. Greer, Skip 16. Beauharnois: A. Turnbull, A. Kokko, I. C. Watson, P. Laclair, Skip 3. vs. Howick: I. Knox, J. O. McChery, A. J. Ness, W. A. Peddie, Skip 14. Ormstown: J. Hunter, T. S. Osmond, P. Hope, J. D. Bryson, Skip 14. vs. Aubrey: W. Orr, K. Allen, O. Orr, A. A. Allen, Skip 13. Howick: J. Scoble, A. Holmes, D. Roy, W. E. Logan, Skip 5. vs. Fertile Creek: J. J. Peddie, A. Kerr, J. T. Stewart, R. A. Anderson, Skip 12. St. Johns: J. Duncan, D. Ness, J. Lorden, J. A. Ross, Skip 5. vs. Howick: W. McKell, J. West, Sr., J. W. Holmes, A. M. Ness, Skip 12. Howick: Frank Sutherland, W. Elliot, G. E. Tennant, W. G. McArthur, Skip 12. vs. Aubrey: E. McKell, B. Reddick, K. Robb, Ron. Reddick, Skip 11. 2nd Round Howick: R. B. Ness, Skip 14. vs. Howick: A. R. Allen, Skip 9. Ormstown: Dr. Stalker, Skip 15. vs. Eng. River: H. Robertson, Skip 4. Aubrey: R. Reddick, Skip 15. vs. Howick: W. A. Peddie, Skip 4. Aubrey: W. Allen, Skip 7. vs. Howick: L. J. Gebble, Skip 14. Ormstown: A. Anderson, Skip 9. vs. Howick: R. Stewart, Skip 16.

vs. Aubrey: E. Orr, E. Orr, G. Easton, J. P. Greer, Skip 16. Beauharnois: A. Turnbull, A. Kokko, I. C. Watson, P. Laclair, Skip 3. vs. Howick: I. Knox, J. O. McChery, A. J. Ness, W. A. Peddie, Skip 14. Ormstown: J. Hunter, T. S. Osmond, P. Hope, J. D. Bryson, Skip 14. vs. Aubrey: W. Orr, K. Allen, O. Orr, A. A. Allen, Skip 13. Howick: J. Scoble, A. Holmes, D. Roy, W. E. Logan, Skip 5. vs. Fertile Creek: J. J. Peddie, A. Kerr, J. T. Stewart, R. A. Anderson, Skip 12. St. Johns: J. Duncan, D. Ness, J. Lorden, J. A. Ross, Skip 5. vs. Howick: W. McKell, J. West, Sr., J. W. Holmes, A. M. Ness, Skip 12. Howick: Frank Sutherland, W. Elliot, G. E. Tennant, W. G. McArthur, Skip 12. vs. Aubrey: E. McKell, B. Reddick, K. Robb, Ron. Reddick, Skip 11. 2nd Round Howick: R. B. Ness, Skip 14. vs. Howick: A. R. Allen, Skip 9. Ormstown: Dr. Stalker, Skip 15. vs. Eng. River: H. Robertson, Skip 4. Aubrey: R. Reddick, Skip 15. vs. Howick: W. A. Peddie, Skip 4. Aubrey: W. Allen, Skip 7. vs. Howick: L. J. Gebble, Skip 14. Ormstown: A. Anderson, Skip 9. vs. Howick: R. Stewart, Skip 16.

vs. Aubrey: E. Orr, E. Orr, G. Easton, J. P. Greer, Skip 16. Beauharnois: A. Turnbull, A. Kokko, I. C. Watson, P. Laclair, Skip 3. vs. Howick: I. Knox, J. O. McChery, A. J. Ness, W. A. Peddie, Skip 14. Ormstown: J. Hunter, T. S. Osmond, P. Hope, J. D. Bryson, Skip 14. vs. Aubrey: W. Orr, K. Allen, O. Orr, A. A. Allen, Skip 13. Howick: J. Scoble, A. Holmes, D. Roy, W. E. Logan, Skip 5. vs. Fertile Creek: J. J. Peddie, A. Kerr, J. T. Stewart, R. A. Anderson, Skip 12. St. Johns: J. Duncan, D. Ness, J. Lorden, J. A. Ross, Skip 5. vs. Howick: W. McKell, J. West, Sr., J. W. Holmes, A. M. Ness, Skip 12. Howick: Frank Sutherland, W. Elliot, G. E. Tennant, W. G. McArthur, Skip 12. vs. Aubrey: E. McKell, B. Reddick, K. Robb, Ron. Reddick, Skip 11. 2nd Round Howick: R. B. Ness, Skip 14. vs. Howick: A. R. Allen, Skip 9. Ormstown: Dr. Stalker, Skip 15. vs. Eng. River: H. Robertson, Skip 4. Aubrey: R. Reddick, Skip 15. vs. Howick: W. A. Peddie, Skip 4. Aubrey: W. Allen, Skip 7. vs. Howick: L. J. Gebble, Skip 14. Ormstown: A. Anderson, Skip 9. vs. Howick: R. Stewart, Skip 16.

vs. Aubrey: E. Orr, E. Orr, G. Easton, J. P. Greer, Skip 16. Beauharnois: A. Turnbull, A. Kokko, I. C. Watson, P. Laclair, Skip 3. vs. Howick: I. Knox, J. O. McChery, A. J. Ness, W. A. Peddie, Skip 14. Ormstown: J. Hunter, T. S. Osmond, P. Hope, J. D. Bryson, Skip 14. vs. Aubrey: W. Orr, K. Allen, O. Orr, A. A. Allen, Skip 13. Howick: J. Scoble, A. Holmes, D. Roy, W. E. Logan, Skip 5. vs. Fertile Creek: J. J. Peddie, A. Kerr, J. T. Stewart, R. A. Anderson, Skip 12. St. Johns: J. Duncan, D. Ness, J. Lorden, J. A. Ross, Skip 5. vs. Howick: W. McKell, J. West, Sr., J. W. Holmes, A. M. Ness, Skip 12. Howick: Frank Sutherland, W. Elliot, G. E. Tennant, W. G. McArthur, Skip 12. vs. Aubrey: E. McKell, B. Reddick, K. Robb, Ron. Reddick, Skip 11. 2nd Round Howick: R. B. Ness, Skip 14. vs. Howick: A. R. Allen, Skip 9. Ormstown: Dr. Stalker, Skip 15. vs. Eng. River: H. Robertson, Skip 4. Aubrey: R. Reddick, Skip 15. vs. Howick: W. A. Peddie, Skip 4. Aubrey: W. Allen, Skip 7. vs. Howick: L. J. Gebble, Skip 14. Ormstown: A. Anderson, Skip 9. vs. Howick: R. Stewart, Skip 16.

vs. Aubrey: E. Orr, E. Orr, G. Easton, J. P. Greer, Skip 16. Beauharnois: A. Turnbull, A. Kokko, I. C. Watson, P. Laclair, Skip 3. vs. Howick: I. Knox, J. O. McChery, A. J. Ness, W. A. Peddie, Skip 14. Ormstown: J. Hunter, T. S. Osmond, P. Hope, J. D. Bryson, Skip 14. vs. Aubrey: W. Orr, K. Allen, O. Orr, A. A. Allen, Skip 13. Howick: J. Scoble, A. Holmes, D. Roy, W. E. Logan, Skip 5. vs. Fertile Creek: J. J. Peddie, A. Kerr, J. T. Stewart, R. A. Anderson, Skip 12. St. Johns: J. Duncan, D. Ness, J. Lorden, J. A. Ross, Skip 5. vs. Howick: W. McKell, J. West, Sr., J. W. Holmes, A. M. Ness, Skip 12. Howick: Frank Sutherland, W. Elliot, G. E. Tennant, W. G. McArthur, Skip 12. vs. Aubrey: E. McKell, B. Reddick, K. Robb, Ron. Reddick, Skip 11. 2nd Round Howick: R. B. Ness, Skip 14. vs. Howick: A. R. Allen, Skip 9. Ormstown: Dr. Stalker, Skip 15. vs. Eng. River: H. Robertson, Skip 4. Aubrey: R. Reddick, Skip 15. vs. Howick: W. A. Peddie, Skip 4. Aubrey: W. Allen, Skip 7. vs. Howick: L. J. Gebble, Skip 14. Ormstown: A. Anderson, Skip 9. vs. Howick: R. Stewart, Skip 16.

vs. Aubrey: E. Orr, E. Orr, G. Easton, J. P. Greer, Skip 16. Beauharnois: A. Turnbull, A. Kokko, I. C. Watson, P. Laclair, Skip 3. vs. Howick: I. Knox, J. O. McChery, A. J. Ness, W. A. Peddie, Skip 14. Ormstown: J. Hunter, T. S. Osmond, P. Hope, J. D. Bryson, Skip 14. vs. Aubrey: W. Orr, K. Allen, O. Orr, A. A. Allen, Skip 13. Howick: J. Scoble, A. Holmes, D. Roy, W. E. Logan, Skip 5. vs. Fertile Creek: J. J. Peddie, A. Kerr, J. T. Stewart, R. A. Anderson, Skip 12. St. Johns: J. Duncan, D. Ness, J. Lorden, J. A. Ross, Skip 5. vs. Howick: W. McKell, J. West, Sr., J. W. Holmes, A. M. Ness, Skip 12. Howick: Frank Sutherland, W. Elliot, G. E. Tennant, W. G. McArthur, Skip 12. vs. Aubrey: E. McKell, B. Reddick, K. Robb, Ron. Reddick, Skip 11. 2nd Round Howick: R. B. Ness, Skip 14. vs. Howick: A. R. Allen, Skip 9. Ormstown: Dr. Stalker, Skip 15. vs. Eng. River: H. Robertson, Skip 4. Aubrey: R. Reddick, Skip 15. vs. Howick: W. A. Peddie, Skip 4. Aubrey: W. Allen, Skip 7. vs. Howick: L. J. Gebble, Skip 14. Ormstown: A. Anderson, Skip 9. vs. Howick: R. Stewart, Skip 16.

vs. Aubrey: E. Orr, E. Orr, G. Easton, J. P. Greer, Skip 16. Beauharnois: A. Turnbull, A. Kokko, I. C. Watson, P. Laclair, Skip 3. vs. Howick: I. Knox, J. O. McChery, A. J. Ness, W. A. Peddie, Skip 14. Ormstown: J. Hunter, T. S. Osmond, P. Hope, J. D. Bryson, Skip 14. vs. Aubrey: W. Orr, K. Allen, O. Orr, A. A. Allen, Skip 13. Howick: J. Scoble, A. Holmes, D. Roy, W. E. Logan, Skip 5. vs. Fertile Creek: J. J. Peddie, A. Kerr, J. T. Stewart, R. A. Anderson, Skip 12. St. Johns: J. Duncan, D. Ness, J. Lorden, J. A. Ross, Skip 5. vs. Howick: W. McKell, J. West, Sr., J. W. Holmes, A. M. Ness, Skip 12. Howick: Frank Sutherland, W. Elliot, G. E. Tennant, W. G. McArthur, Skip 12. vs. Aubrey: E. McKell, B. Reddick, K. Robb, Ron. Reddick, Skip 11. 2nd Round Howick: R. B. Ness, Skip 14. vs. Howick: A. R. Allen, Skip 9. Ormstown: Dr. Stalker, Skip 15. vs. Eng. River: H. Robertson, Skip 4. Aubrey: R. Reddick, Skip 15. vs. Howick: W. A. Peddie, Skip 4. Aubrey: W. Allen, Skip 7. vs. Howick: L. J. Gebble, Skip 14. Ormstown: A. Anderson, Skip 9. vs. Howick: R. Stewart, Skip 16.

vs. Aubrey: E. Orr, E. Orr, G. Easton, J. P. Greer, Skip 16. Beauharnois: A. Turnbull, A. Kokko, I. C. Watson, P. Laclair, Skip 3. vs. Howick: I. Knox, J. O. McChery, A. J. Ness, W. A. Peddie, Skip 14. Ormstown: J. Hunter, T. S. Osmond, P. Hope, J. D. Bryson, Skip 14. vs. Aubrey: W. Orr, K. Allen, O. Orr, A. A. Allen, Skip 13. Howick: J. Scoble, A. Holmes, D. Roy, W. E. Logan, Skip 5. vs. Fertile Creek: J. J. Peddie, A. Kerr, J. T. Stewart, R. A. Anderson, Skip 12. St. Johns: J. Duncan, D. Ness, J. Lorden, J. A. Ross, Skip 5. vs. Howick: W. McKell, J. West, Sr., J. W. Holmes, A. M. Ness, Skip 12. Howick: Frank Sutherland, W. Elliot, G. E. Tennant, W. G. McArthur, Skip 12. vs. Aubrey: E. McKell, B. Reddick, K. Robb, Ron. Reddick, Skip 11. 2nd Round Howick: R. B. Ness, Skip 14. vs. Howick: A. R. Allen, Skip 9. Ormstown: Dr. Stalker, Skip 15. vs. Eng. River: H. Robertson, Skip 4. Aubrey: R. Reddick, Skip 15. vs. Howick: W. A. Peddie, Skip 4. Aubrey: W. Allen, Skip 7. vs. Howick: L. J. Gebble, Skip 14. Ormstown: A. Anderson, Skip 9. vs. Howick: R. Stewart, Skip 16.

vs. Aubrey: E. Orr, E. Orr, G. Easton, J. P. Greer, Skip 16. Beauharnois: A. Turnbull, A. Kokko, I. C. Watson, P. Laclair, Skip 3. vs. Howick: I. Knox, J. O. McChery, A. J. Ness, W. A. Peddie, Skip 14. Ormstown: J. Hunter, T. S. Osmond, P. Hope, J. D. Bryson, Skip 14. vs. Aubrey: W. Orr, K. Allen, O. Orr, A. A. Allen, Skip 13. Howick: J. Scoble, A. Holmes, D. Roy, W. E. Logan, Skip 5. vs. Fertile Creek: J. J. Peddie, A. Kerr, J. T. Stewart, R. A. Anderson, Skip 12. St. Johns: J. Duncan, D. Ness, J. Lorden, J. A. Ross, Skip 5. vs. Howick: W. McKell, J. West, Sr., J. W. Holmes, A. M. Ness, Skip 12. Howick: Frank Sutherland, W. Elliot, G. E. Tennant, W. G. McArthur, Skip 12. vs. Aubrey: E. McKell, B. Reddick, K. Robb, Ron. Reddick, Skip 11. 2nd Round Howick: R. B. Ness, Skip 14. vs. Howick: A. R. Allen, Skip 9. Ormstown: Dr. Stalker, Skip 15. vs. Eng. River: H. Robertson, Skip 4. Aubrey: R. Reddick, Skip 15. vs. Howick: W. A. Peddie, Skip 4. Aubrey: W. Allen, Skip 7. vs. Howick: L. J. Gebble, Skip 14. Ormstown: A. Anderson, Skip 9. vs. Howick: R. Stewart, Skip 16.

vs. Aubrey: E. Orr, E. Orr, G. Easton, J. P. Greer, Skip 16. Beauharnois: A. Turnbull, A. Kokko, I. C. Watson, P. Laclair, Skip 3. vs. Howick: I. Knox, J. O. McChery, A. J. Ness, W. A. Peddie, Skip 14. Ormstown: J. Hunter, T. S. Osmond, P. Hope, J. D. Bryson, Skip 14. vs. Aubrey: W. Orr, K. Allen, O. Orr, A. A. Allen, Skip 13. Howick: J. Scoble, A. Holmes, D. Roy, W. E. Logan, Skip 5. vs. Fertile Creek: J. J. Peddie, A. Kerr, J. T. Stewart, R. A. Anderson, Skip 12. St. Johns: J. Duncan, D. Ness, J. Lorden, J. A. Ross, Skip 5. vs. Howick: W. McKell, J. West, Sr., J. W. Holmes, A. M. Ness, Skip 12. Howick: Frank Sutherland, W. Elliot, G. E. Tennant, W. G. McArthur, Skip 12. vs. Aubrey: E. McKell, B. Reddick, K. Robb, Ron. Reddick, Skip 11. 2nd Round Howick: R. B. Ness, Skip 14. vs. Howick: A. R. Allen, Skip 9. Ormstown: Dr. Stalker, Skip 15. vs. Eng. River: H. Robertson, Skip 4. Aubrey: R. Reddick, Skip 15. vs. Howick: W. A. Peddie, Skip 4. Aubrey: W. Allen, Skip 7. vs. Howick: L. J. Gebble, Skip 14. Ormstown: A. Anderson, Skip 9. vs. Howick: R. Stewart, Skip 16.

vs. Aubrey: E. Orr, E. Orr, G. Easton, J. P. Greer, Skip 16. Beauharnois: A. Turnbull, A. Kokko, I. C. Watson, P. Laclair, Skip 3. vs. Howick: I. Knox, J. O. McChery, A. J. Ness, W. A. Peddie, Skip 14. Ormstown: J. Hunter, T. S. Osmond, P. Hope, J. D. Bryson, Skip 14. vs. Aubrey: W. Orr, K. Allen, O. Orr, A. A. Allen, Skip 13. Howick: J. Scoble, A. Holmes, D. Roy, W. E. Logan, Skip 5. vs. Fertile Creek: J. J. Peddie, A. Kerr, J. T. Stewart, R. A. Anderson, Skip 12. St. Johns: J. Duncan, D. Ness, J. Lorden, J. A. Ross, Skip 5. vs. Howick: W. McKell, J. West, Sr., J. W. Holmes, A. M. Ness, Skip 12. Howick: Frank Sutherland, W. Elliot, G. E. Tennant, W. G. McArthur, Skip 12. vs. Aubrey: E. McKell, B. Reddick, K. Robb, Ron. Reddick, Skip 11. 2nd Round Howick: R. B. Ness, Skip 14. vs. Howick: A. R. Allen, Skip 9. Ormstown: Dr. Stalker, Skip 15. vs. Eng. River: H. Robertson, Skip 4. Aubrey: R. Reddick, Skip 15. vs. Howick: W. A. Peddie, Skip 4. Aubrey: W. Allen, Skip 7. vs. Howick: L. J. Gebble, Skip 14. Ormstown: A. Anderson, Skip 9. vs. Howick: R. Stewart, Skip 16.

vs. Aubrey: E. Orr, E. Orr, G. Easton, J. P. Greer, Skip 16. Beauharnois: A. Turnbull, A. Kokko, I. C. Watson, P. Laclair, Skip 3. vs. Howick: I. Knox, J. O. McChery, A. J. Ness, W. A. Peddie, Skip 14. Ormstown: J. Hunter, T. S. Osmond, P. Hope, J. D. Bryson, Skip 14. vs. Aubrey: W. Orr, K. Allen, O. Orr, A. A. Allen, Skip 13. Howick: J. Scoble, A. Holmes, D. Roy, W. E. Logan, Skip 5. vs. Fertile Creek: J. J. Peddie, A. Kerr, J. T. Stewart, R. A. Anderson, Skip 12. St. Johns: J. Duncan, D. Ness, J. Lorden, J. A. Ross, Skip 5. vs. Howick: W. McKell, J. West, Sr., J. W. Holmes, A. M. Ness, Skip 12. Howick: Frank Sutherland, W. Elliot, G. E. Tennant, W. G. McArthur, Skip 12. vs. Aubrey: E. McKell, B. Reddick, K. Robb, Ron. Reddick, Skip 11. 2nd Round Howick: R. B. Ness, Skip 14. vs. Howick: A. R. Allen, Skip 9. Ormstown: Dr. Stalker, Skip 15. vs. Eng. River: H. Robertson, Skip 4. Aubrey: R. Reddick, Skip 15. vs. Howick: W. A. Peddie, Skip 4. Aubrey: W. Allen, Skip 7. vs. Howick: L. J. Gebble, Skip 14. Ormstown: A. Anderson, Skip 9. vs. Howick: R. Stewart, Skip 16.

vs. Aubrey: E. Orr, E. Orr, G. Easton, J. P. Greer, Skip 16. Beauharnois: A. Turnbull, A. Kokko, I. C. Watson, P. Laclair, Skip 3. vs. Howick: I. Knox, J. O. McChery, A. J. Ness, W. A. Peddie, Skip 14. Ormstown: J. Hunter, T. S. Osmond, P. Hope, J. D. Bryson, Skip 14. vs. Aubrey: W. Orr, K. Allen, O. Orr, A. A. Allen, Skip 13. Howick: J. Scoble, A. Holmes, D. Roy, W. E. Logan, Skip 5. vs. Fertile Creek: J. J. Peddie, A. Kerr, J. T. Stewart, R. A. Anderson, Skip 12. St. Johns: J. Duncan, D. Ness, J. Lorden, J. A. Ross, Skip 5. vs. Howick: W. McKell, J. West, Sr., J. W. Holmes, A. M. Ness, Skip 12. Howick: Frank Sutherland, W. Elliot, G. E. Tennant, W. G. McArthur, Skip 12. vs. Aubrey: E. McKell, B. Reddick, K. Robb, Ron. Reddick, Skip 11. 2nd Round Howick: R. B. Ness, Skip 14. vs. Howick: A. R. Allen, Skip 9. Ormstown: Dr. Stalker, Skip 15. vs. Eng. River: H. Robertson, Skip 4. Aubrey: R. Reddick, Skip 15. vs. Howick: W. A. Peddie, Skip 4. Aubrey: W. Allen, Skip 7. vs. Howick: L. J. Gebble, Skip 14. Ormstown: A. Anderson, Skip 9. vs. Howick: R. Stewart, Skip 16.

vs. Aubrey: E. Orr, E. Orr, G. Easton, J. P. Greer, Skip 16. Beauharnois: A. Turnbull, A. Kokko, I. C. Watson, P. Laclair, Skip 3. vs. Howick: I. Knox, J. O. McChery, A. J. Ness, W. A. Peddie, Skip 14. Ormstown: J. Hunter, T. S. Osmond, P. Hope, J. D. Bryson, Skip 14. vs. Aubrey: W. Orr, K. Allen, O. Orr, A. A. Allen, Skip 13. Howick: J. Scoble, A. Holmes, D. Roy, W. E. Logan, Skip 5. vs. Fertile Creek: J. J. Peddie, A. Kerr, J. T. Stewart, R. A. Anderson, Skip 12. St. Johns: J. Duncan, D. Ness, J. Lorden, J. A. Ross, Skip 5. vs. Howick: W. McKell, J. West, Sr., J. W. Holmes, A. M. Ness, Skip 12. Howick: Frank Sutherland, W. Elliot, G. E. Tennant, W. G. McArthur, Skip 12. vs. Aubrey: E. McKell, B. Reddick, K. Rob