

BIRTHS, MARRIAGES AND DEATHS.

Notices of births, marriages and deaths must invariably be endorsed with the name and address of the sender, or otherwise no notice can be taken of them.

CURRAN.—At Covey Hill, on May 3, 1906, a son to Mr. and Mrs. J. W. Curran.

GORDON.—HAMILTON.—On May 1, 1906, at Saint Ste. Marie, Michigan, by the Rev. C. C. Marshall, P.D., pastor of First Baptist Church, Martin Adelaide Hamilton, of Brin, Ont., to J. Vincent Gordon, of Owen Sound.

HERBERT.—LISTER.—On May 16, 1906, at St. Anne's Church, Montreal, by the Rev. M. Day Baldwin, M.A., Miss L. Lister, eldest daughter of Mr. Wm. Lister, to John C. Herbert, second son of Mr. J. Herbert, all of this city.

HELLGROVE.—HENDEBSON.—On May 15, 1906, at Westminster Church, Toronto, by the Rev. John Neil, D.D., Constance Louise, daughter of Joseph Henderson, Esq., to Rev. Edwin Henry Kellogg, B.D., of Princeton, N.J., son of the late Rev. S. H. Kellogg, D.D., of Landour, India.

DE GUERRE.—At his late residence, Queenville, Ont., on May 7, 1906, Peter De Guerre, in his 83rd year.

HELLIWEEL.—At the residence of his son-in-law, 23 Spencer avenue, Toronto, on May 14, 1906, Charles Lord Helliwell, in his 91st year.

KYLE.—At Stratford, Ont., on Monday, May 7, 1906, James Kyle, a native of Dumfriesshire, Scotland, in his 89th year.

MOORE.—At Hillhurst, P.Q., on May 14, 1906, Mary Ann Pratt, wife of W. W. Moore.

MORRIS.—In Bowmanville, Ont., on May 14, 1906, Fannie Martin, beloved wife of Mr. Frank M. Morris, and second daughter of Mr. J. B. Martyn, aged 31 years.

RICH.—At Wareham, Ont., on May 11, 1906, Mrs. John Rich, aged 78 years 6 months and 10 days.

THOROLD.—At his residence, St. Williams, Ont., on May 14, 1906, in the 79th year of his age, William Thorold, eldest son of the late Rev. Charles Thorold of Louth, Eng., and father of Mr. Alexander Davidson and Mrs. James P. Mabee, of Toronto.

TREMBLAY.—At Quebec, on May 16, 1906, at the age of 28 years and 6 months, Helena Houle, beloved wife of Arthur Tremblay, presenman.

KENNEDY.—At his residence, Vernon, Ont., on May 12, 1906, Archibald James Kennedy, youngest son of the late Duncan Kennedy, aged 35 years.

SUTHERLAND.—In loving memory of Alexander, youngest son of the late Robt. Sutherland, who died May 17, 1893, aged 37 years. So the growth He beloved sleep.

VAUX.—At 496 Victoria avenue, Westmount, on Wednesday, May 16, 1906, at the age of forty years and one month, Elizabeth Amelia Clark, beloved wife of Geo. W. Vaux, Grand Trunk Railway System, Chicago, and beloved daughter of George and Fanny Clark.

Funeral from Grace Church, corner of Wellington and Fortune street, on Friday, May 18, at 2.30 p.m.

YEATS.—In loving memory of Mrs. H. G. Yeats (Christie A. McSweeney), Glasgow, who departed this life on May 17, 1906. We will meet, dear sister, in those golden realms above.

These sending notices for the above columns may send with them a list of names of interested friends together with a one-cent stamp for each address, and mailed copies of the "Witness" containing the notice will be promptly mailed. For addresses in foreign countries three cents will be required. Notices received too late for this page may possibly be in time for page 3.

TEES & CO'S DESKS

ARE A GOOD INVESTMENT. TEES, 300 St. James St.

See Removal Bargains offered by Leach Piano Co., 560 St. Catherine Street West, between Stanley and Drummond Sts. Cash or easy payments.



A SESSION OF THE COURT OF KING'S BENCH (Crown Side), holding criminal jurisdiction in and for the DISTRICT OF MONTREAL, will be held in the COURT HOUSE, in the CITY OF MONTREAL, ON FRIDAY, the FIRST DAY OF JUNE NEXT, at TEN O'CLOCK in the forenoon.

THE S. CARSLY CO. Limited.

Thursday, May 17.

MORE ASTOUNDING BARGAINS LADIES' WHITE SHIRTWAISTS

REDUCED PRICES STILL FURTHER REDUCED.

Friday will be the greatest Shirtwaist Bargain Day that Montreal ladies have ever known. Every lady will be interested because the goods offered are of the most favored kind, fashionable, stylish, practical and priced in many cases less than you would pay for the making. Bargains like these are not likely to be repeated.

TO-MORROW'S PRICES FOR SHIRT WAISTS:

- 50c White Shirtwaists, 35c
1.00 White Shirtwaists, 67c
65c White Shirtwaists, 42c
1.75 White Shirtwaists, 98c
75c White Shirtwaists, 49c
2.00 White Shirtwaists, \$1.05
85c White Shirtwaists, 56c
2.30 White Shirtwaists, \$1.30



Great Reductions in Ladies' Coats

ALL REDUCED FROM 10 TO 50 PERCENT.

FRIDAY will be a busy day in the Big Store's Mantle Department. Great reductions have been made in the prices of Ladies' Coats. Coats that formerly sold at \$3.40 to \$32.00, have been reduced from 10 to 25 percent, and some even as much as 50 percent.

RUSHING THE SUMMER WASH FABRICS

The great popularity of these dainty fabrics is attested by the hundreds of Ladies who daily surround the counters buying liberally for their summer needs.

- COTTON VOILES, delightfully light, in neat design, and color effects, especially imported for summer wear, all 30 inches wide; worth, 16c. FRIDAY 11c
CHESTERFIELD BATISTS, very neat, one of this season's favorites, pretty floral designs, large variety of colors to choose from; worth 16c. FRIDAY 12c
FRENCH ORGANISSE MUSLIN, beautiful satin stripe and floral effects, in shades of Mauve, Green, Grey and Pink. Regular, 20c. FRIDAY 15c
MAO LAWN, in beautiful floral combinations with silk finish, in all the latest shades. Regular, 20c. FRIDAY 23c

Great Event in Silks

WONDERFUL SAVINGS FOR FRIDAY.

- 1,500 YARDS SOULARD SILKS. This very popular line of Silks, in many handsome designs and colorings in Navy and Black grounds, with Polka Dot and Sorell effects. Our regular price was 90c. FRIDAY 39c
900 YARDS OF FEMAY TAFFETA, in fancy stripes and floral effects; in this lot there are some odd lines which, owing to the small quantity left, we are selling for one-third their value. They were marked at \$1.60 per yard. FRIDAY 59c
5,000 YARDS SHOT CHIFFON TAFFETA SILK, the Cream of Silk Fabric; fourteen combination colors to choose from. Splendid value at 60c. FRIDAY'S PRICE 42c

20c Japanese Wash Silks, 9 1-2c

10,000 YARDS JAPANESE WASH SILKS, in Corded Stripe. The range of colors have been broken, consequently the balance must be cleared at once regardless of cost. Regular value, 20 cents. FRIDAY 9 1/2c

New Dress Goods Down in Price

- 1,800 YARDS FANCY CHECK SUITINGS, in the following combinations, Black and White, Navy and White, Red and White, Grey and White, Cadet and White, etc. Remember the regular value of these Fabrics is 60c. FRIDAY 37c
900 YARDS FANCY MOHAIRS, in neat stripes and motif effects, Brown, Grey, Green and Cadet. Regular price, 67c. FRIDAY'S SPECIAL 45c

\$2 AND \$2.50 READY-TO-WEAR HATS 59c

Sale of a Manufacturer's Sample Line. A superior lot of 35 dozen New and Stylish Ready-to-Wear Hats; the variety of designs is immense; every one strictly stylish and up to date.

Friday's Grocery Specials

- Puffed Rice, per quart 30c
Rice, 6 lbs. for 25c
Stewing Peas, 3 lbs. for 25c
Pickled White Beans, 7 lbs. for 30c
Hungarian Flour, 24 lbs. for 70c
Rolled Wheat, 6 lbs. for 30c
FINEST CREAMERY BUTTER 27c
BRIDGPATH'S GRANULATED SUGAR, 20 lbs. \$1.00

THE S. CARSLY CO. Limited. 143 to 151 Notre Dame St. West, 184 to 194 St. James St., MONTREAL.

The Daily Witness.

THURSDAY AFTERNOON, MAY 17.

THE PRICE OF MEAT

CIRCUMSTANCES SAID TO INDICATE THE FORMATION OF A TRUST.

A question of considerable interest was raised at the meeting of the Markets Committee yesterday afternoon, when a notarial protest was received from the Laing Packing & Provision Company and four butchers, Messrs. A. Richard, A. Resmer, N. Ritchot and G. Martel, against the Union des Abattoirs de Montreal, and Messrs. D. B. Martin & Co.

Mr. Carter appeared on behalf of the protestants, and claimed that it was the duty of the Markets Committee to protect them. The butchers, he said, were being unfairly treated, and as the city received a large revenue from the abattoirs they ought to protect the butchers who paid for them.

Mr. Levy said he was not sure that the abattoirs were under the control of the Markets Committee.

Mr. Alder.—All I can say is that if they are not, the sooner you get a new Markets Committee the better.

Mr. Levy.—We have control of the markets, but of the abattoirs—I do not think so.

Mr. Alder.—The abattoirs have always been under the control of the Markets Committee. If you find that the by-law does not say so it is your duty to bring the matter up in the council, and we will soon see that you have the power to deal with them under the city by-laws.

Mr. Alder.—I have established a municipal abattoir, which they could let out to the butchers, each of whom might rent a stall in it and kill his own animals there.

Mr. Alder.—The matter was referred to the city attorneys, with the request that they report as to the control of the existing abattoirs, the right of the city to establish a municipal abattoir to be rented to the butchers in the city, and the right of issuance of more than one license to the same firm of butchers.

THE NAVY LEAGUE. MR. H. F. WYATT AND DR. PARKIN SPEAK OF CANADA'S SHARE IN IMPERIAL DEFENCE.

London, May 16.—At the eleventh annual meeting of the Navy League, this afternoon, Mr. H. F. Wyatt said that the appreciation of the sea power had widened and deepened in Canada. Among British-Canadians he had found the feeling very strong.

Dr. G. R. Parkin said it was difficult for Canada to assume her share of the burdens while developing postal and other facilities, taking charge of thousands of immigrants now entering the country, and assuming charge of the fortifications, a step in the right direction.

NOTES AND NOTICES. The construction of additional metallic lines by the Bell Telephone Company of Canada has just been completed between Toronto and Brockville, and between Toronto and Ottawa.

ORGANIST CHANGING

EPIDEMIC OF TRANSFERS AMONG CITY CHURCHES.

It is considered a curious coincidence that, at the same time, so many of the organists of Montreal churches seem to be changing their positions, some leaving the city, and some going to other local churches, leaving, as a consequence, several of the choirs without regular organists for the summer.

Since Mr. Horace Reyner has declined to accept a position in Duluth, Douglas Methodist Church will be without an organist, and it is impossible that Mr. Reyner's successor will be chosen before the autumn. Mr. Reyner goes to the First Methodist Episcopal Church in Duluth. Before coming to Douglas Church, he was organist of the Church of St. James the Apostle. Besides these church changes, the Oratorio Society, which, under his direction, has produced many of the great English oratorios, 'Hiawatha,' 'Gerontius,' 'The Messiah,' and 'Pan,' will be long associated with his name.

Mr. Edward Broome has left the American Presbyterian Church for the Jarvis Street Baptist Church in Toronto, where he succeeds Mr. A. S. Vogt, the organist of the celebrated Mendelssohn Church, that city. Mr. Vogt will give his whole attention to the above choir, which has had a great success as much on its American tours as locally.

Mr. C. E. B. Price comes from the Dominion Methodist Church in Ottawa, to take Mr. Broome's place in the American Presbyterian Church. Mr. Price was organist of St. Andrew's Church of this city before Mr. Blair accepted that position, and he will enter his new duties at the American Presbyterian on June 1.

St. Stephen's Church, Waverdale Park, will be without an organist through the retirement of Mr. and Mrs. Allan McDuff, who had been choirmaster and organist, for some time.

Mrs. A. G. E. Ahern is leaving the Sherbrooke Street Methodist Church, where she has been organist and choir director for two years. Previously Mrs. Ahern had been organist in the East End Methodist Church for several years.

There will also be a change in St. Paul's organist, since Mr. Robinson, after twenty-five years of active service as organist in that church, feels forced to retire on account of failing health.

Mr. F. H. Blair, of St. Andrew's Church, will succeed Mr. Robinson. Mr. Blair, who has been for six and a half years organist at St. Andrew's, came here from the Cathedral at Fredericton, N.B. He received his musical education from Sir Walter Parratt, organist to the King, in the Royal College of Music in London.

Mr. Blair will spend the summer months abroad studying under Widor, in Paris, and will begin at St. Paul's in September. This will leave St. Andrew's without an organist during the summer, but as the church will be closed during July and August, the position will not be filled until next autumn.

Mr. E. A. Hilton, who has been organist of St. James Methodist Church under Mr. E. F. Waterhouse, as musical director, has resigned from his position in that church.

MANY EUROPEANS HURT

Pekin, May 16.—It is believed that many Europeans were hurt in the attack on the mission in Anhui province. Four chapels were destroyed.

TROY LAUNDRY

SUBURBAN AND LAKESIDE SERVICE. Twice a Week. Ring up any of the following phones—

SIX TELEPHONES, any one of which will bring a wagon promptly to your door. Main 3644-3645—Main 3447—Main 1893—Main 3818—Tp 1999.

Factory and Offices VERDUN.

PLATE GLASS WINDOWS

are a necessity to-day in all well equipped buildings. Though we are not prepared to supply them, the business of

THE NEW YORK WINDOW CLEANING CO.

is to keep them clean. If you are interested, write, call, phone, and we will be pleased to give you estimates.

Bell Tel. Main 1203. L. TANNENBAUM, Manager, 40 Jurors Street.

Contracts by week, month or year.

WM. CURRIE, Clothier.



LOOK FOR THIS LABEL.

TO BE WELL DRESSED

At Moderate Cost, in Clothing of **Style and quality**—that will fit you perfectly, stay in shape and wear well—be sure to purchase

Progress Brand Clothing.

The New Spring and Summer Fashions in

SUMMER TOP COATS and SUITS,

\$10.00, \$12.50, \$15.00, \$18.00, \$20.00 and \$25.00.

Or Visit Our TAILORING DEPARTMENT

Where our assortment of High Grade Imported Fabric will delight

ALL WHO WEAR GOOD CLOTHES.

WM. CURRIE, Clothier,

423 Notre Dame St. West.

COAL

AMERICAN ANTHRACITE (ALL SIZES)
WELSH ANTHRACITE
SCOTCH ANTHRACITE

Summer Prices. Prompt and Careful Delivery.

F. ROBERTSON,
206 St. James Street.

Bell Tel., Main 4611, Main, 4612; Merchants 206.

BAKER'S GROCERY

For Fine Fruits and Vegetables.

PINEAPPLES, STRAWBERRIES and ORANGES are leaders this week in Low Price and Quality.

Extra Fine Pine Apples, 90c, \$1.25, \$1.50 and \$1.75 per dozen. Large and bright. Fine qualities of Strawberries, 124c, 15c, 17c and 20c per box. Sorrento and Oval Oranges, ex. ship, 20c, 25c and 30c per dozen. California Oranges, all sizes, 20c, 25c, 30c, 35c, 40c and 50c per dozen. Round-Red Perfect Tomatoes, 124c and 15c per lb. Asparagus, Celery, Cucumbers, Rhubarb, Beans, Radishes and Green Onions. And a cup of Chase & Sanborn's Delicious Mocha and Java Coffee, brewed right, and served right, is a fit ending to a satisfactory meal.

BAKER & CO.,

Tel. Up 3152. 928 St. Catherine West, corner of Fort Street



The above cuts represent the **SMALLEST ORGAN IN THE WORLD.** Made by Bihora Bros. of Chicago. Weight only 25 lbs. Measures: when closed, 10 inches wide, 23 1/2 inches long, 16 inches high. Can be carried like a valise. A marvel for compactness. Just the thing for country house.

Price \$39.00.

LAYTON BROS.,
Sole Agents,
144 Peel Street.

RELIGION CRITICIZED

EMMA GOLDMAN GIVES HER VIEWS AS A SOCIALIST.

Emma Goldman, the socialist and anarchist, of New York, lectured before a large audience last evening in Empire Hall, on 'Religion.' She spoke in Yiddish owing to the audience being mainly composed of men and women who understood that language.

Mr. M. Levitsky, a recently arrived Russian immigrant, was in the chair, and introduced the lecturer as one who had won renown in advocating the principles of liberty—from the anarchistic standpoint. When the lecturer rose to speak, she was warmly applauded, the ladies present being especially enthusiastic. She said in part: 'My objection to the orthodox religions of to-day is that they stand in the way of enlightenment. They hinder the mental progress of the masses, and hence contribute to darkness and superstition rather than light. What is the use of any religion as a code of morals or conduct if it proves itself powerless to remedy the evils from which society is suffering?'

She then discussed the question of the existence of a Supreme Being in view of the persecutions heaped upon the Jewish people for so many centuries. The whole of the address was a violent attack upon existing religions, mainly because, in the opinion of the lecturer, they supported the system of capitalism and its alleged attendant evils.

At the conclusion of her address Miss Goldman stated that she was prepared to answer questions put to her by the audience, but only one availed himself of the invitation.

ROYAL ARCANUM.

The seventeenth anniversary of the founding of the Royal Arcanum in Quebec was celebrated last evening in the English Hall by Prince Albert Council, No. 1298, R.A., in conjunction with the Ladies' Auxiliary, at which there was a large attendance. The Prince Albert male quartette sang several selections, and a social time was greatly enjoyed. Prizes for games were won by Mrs. Chennell, president of the 'P. A. L. A.', and Past Regent G. A. Forbes. Light refreshments also were served. At the council meeting arrangements were completed for the concert and dance in Stanley Hall on June 1, in aid of the Royal Arcanum California Relief Fund, which promises to be a great success. During the evening a telegram from the council was despatched to the Supreme Council now in session at Old Point Comfort, Virginia.

SON GOT FATHER'S 'AUTO.'

A peculiar action was entered in the Superior Court yesterday by Mr. Joseph Dorion, of Lachine, through his attorneys, Messrs. Fauteux & Fauteux. This is a claim for \$1,000 against the Eastern Automobile Company, Mr. Dorion alleging that, having placed his car in the garage of the company, when he came back for it he was told that his son had taken it away on the strength of an order bearing his own signature. The automobile was not returned, but has been found, it appears, at another place, slightly damaged. The owner now claims it back from the Eastern Company, or, in default, asks the value thereof.

TIMEKEEPER GETS GOLD.

Mr. Frank Bell, the timekeeper of the Canada Paint Company, was the happy recipient of a purse of gold, last evening, from the employees of the company. The gift, which was intended to show the high esteem in which Mr. Bell is held by his fellow workers, was presented on the occasion of his marriage, which takes place to-day.

At six o'clock, as the men were leaving, Mr. Bell was taken wholly by surprise, and, amid the assembled employees, was presented with the purse by Mr. Thebaud, Mr. Millette making the presentation address. Mr. Bell responded briefly, thanking them for the most unexpected and kindly gift. He was then seized and 'bounced' amid the heartiest of cheers from his friends. Mr. Bell has been an employee of the Canada Paint Company for ten years, and this spontaneous gift shows how popular he is with the men and officials there.

MEET IN ST. LOUIS.

St. Louis, Mo., May 16.—The fifth annual convention of the Freight Claimers Association of the United States, Canada and Mexico, began here to-day.

SOCIAL AND PERSONAL

Mrs. Frank May and family will spend the summer at Cap a l'Aigle.

Mr. and Mrs. J. A. Linton were in Quebec yesterday.

Mr. and Mrs. Lomer Beard will spend the summer at Pointe Claire.

Mrs. Peter Laing and family will spend the summer at Ste. Agathe.

Captain Battye, London, England, is registered at the Place Viger.

Miss Beryl Wilson is entertaining a few girl friends at tea this afternoon.

Miss Bethune, University street, left last evening to spend a week or two in New York.

Mr. and Mrs. Hamilton Gault will spend a part of the coming summer in the Laurentians.

Dean and Mrs. Walton sail about the end of June to spend the remainder of the summer in Great Britain.

Mrs. G. Ross Robertson and family remove about the middle of June to their country residence at Como.

Dr. and Mrs. W. Peterson, Sherbrooke street, sail about the middle of June, for the Old Country.

The Rev. Dr. Warriner left this morning for New York, whence he will sail for Europe, to be absent about a year.

Mr. and Mrs. Edward Lewis, who were in Montreal for a few days on their way home from an extended trip in Europe, have arrived in Vancouver.

Mr. Redfern is entertaining at dinner, at the Hunt Club to-morrow evening, in honor of one or two visitors from out-of-town.

Mrs. Rogers, of Philadelphia, who has been visiting Mrs. L. J. Papineau, Sherbrooke street, leaves for home at the end of the week.

Mrs. Geo. Molson and Miss Molson, Bishop street, will leave about the first of July to spend the summer months at Metis.

Mr. and Mrs. Huntley Drummond will spend the summer at their country residence, Beaconsfield, going out about the first of June.

Miss Hays is entertaining some young people at tea to-morrow afternoon, in honor of Miss Aurelia Hughson, who is visiting Miss Louise Hays.

Mr. and Mrs. Arthur Drummond, of Colorado Springs, who are the guests of Mr. and Mrs. Huntley Drummond, will be at their country home, Beaconsfield, this summer.

Dr. Appleton J. Nutter, of Montreal, who spent the winter at Bellevue Hospital, New York, has accepted an appointment in the Children's Hospital, Boston.

Mr. and Mrs. J. N. Greenshields will spend the summer at their country residence, Danville. Mr. and Mrs. Hugh Mackay leave about the end of the month for Danville.

A marriage has been arranged between Miss May Constance White, second daughter of Field Marshal Sir George White, of White Hall, Ballymena, County Antrim, Ireland, and Captain Ivor Currie, R.A., son of Major-General Fendall Currie.

The members of the committee of the Canadian Handicrafts Guild were the hostesses of a very successful tea held yesterday afternoon, in our Handicrafts Shop. The rooms were tastefully decorated with homespun portieres, cover-tures, catalogues, Indian baskets and Doukhobor work. Mrs. Durham Molson and Mrs. Alex. Woods presided at the tea-table, which was prettily arranged with bouquets and green tulle. Among those present were Lady Dawson, Mrs. Leonowens, Mrs. James Bell, Mrs. Caverhill, Mrs. James Peck, Mrs. Trenholme, Mrs. McMurtry, Miss Roddick, Mrs. H. Fuller, Mrs. Chaffee, Mrs. D. Robertson, Miss M. Robertson, Mrs. Symonds, Mrs. H. F. Armstrong, Mrs. Learmont, Mrs. Fetherstonhaugh, Mrs. John Day, Mrs. D. Lewis, Mrs. Edgar Judge, Miss Ludington, Mrs. Earle Birks, Mrs. Armour Robertson, Mrs. Douglas Armour and others.

A quiet but very pretty wedding took place last evening in Douglas Church, when Miss Amy Beatrice Mathews, daughter of Mr. and Mrs. W. B. Mathews, was married to Mr. Ernest E. Hilton, also of Montreal. The church was prettily decorated for the occasion with palms and flowers, the bridal party standing under a floral arch of American and white roses. The ceremony was performed at eight o'clock by the Rev. G. T. Scott, and Mr. Hilton, father of the groom, presided at the organ. The bride, who was given away by her father, was very winsome in her bridal robe of duchess lace, in the princess mode, over chiffon and silk. Her tulle veil was draped with a wreath of orange blossoms, and she carried a shower bouquet of white roses and lilies of the valley. Her only attendant was Miss Daisy Mathews, as flower girl, wearing a dainty frock of white silk and Valenciennes lace, white lingere bonnet, and carrying sweet peas. Mr. Thomas Caverhill was best man. The bride's mother wore a cream lace gown, with touches of gold tissue, and black hat with garniture of roses. Mrs. Hilton, mother of the groom, wore a navy blue gown, with hat to match. A short reception was held at the home of the bride's parents, Tupper street, where the floral decorations were carried out in white and green. Although only immediate relatives in town were invited, the wedding gifts were very numerous and choice. Mr. and Mrs. E. E. Hilton left for Niagara Falls, Detroit and Washington. Going away the bride wore a grey and mauve check costume, with trimming of white and gold, and gold-colored hat with garniture of tea-roses. On their return they will reside at the Stanley Flats.

At All Saints' Church, yesterday afternoon, a pretty wedding took place, when Miss L. Lister, daughter of Mr. William Lister, was united in marriage to Mr. John C. Herbert. The ceremony was performed by the Rev. M. Day Baldwin, in the presence of many friends, and Mr. Horace W. Reyner presided at the organ. The bride, who was given away by her father, wore a duchess satin gown with pearl garniture, a veil of embroidered Brussels net with wreath of orange blossoms, and carried white roses and maiden-hair fern. The maid of honor, Miss Myr-

Colonial House, Phillips Square.

Lake Shore Delivery Begins Saturday, the 19th instant.

MANTLE DEPARTMENT For Friday and Saturday

40 LADIES' DRESSES, in Voile, Etamine, and Silk Bengaline, prettily trimmed with lace and medallions, values \$60 to \$85, for \$25 to \$35.

LADIES' BLACK SILK MOIRETTE UNDER-SKIRTS, extra sizes, values \$6.50 to \$8.50, for \$3.50 to \$4.50.

40 CHILDREN'S REEFER JACKETS, less 50 p.c.

15 LADIES' and MISSES' COLORED CLOTH and TWEED CAPES, special \$1.50.

100 PRINT DRESSES, shades Blue and Crimson, value \$2.25 to \$2.75, price \$1.25 and \$1.50.

50 LADIES' BLACK CLOTH WALKING SKIRTS, value \$3.50, for \$2.00, less 20 percent.

Sale of Doulton China Samples NOW GOING ON.

Special Attention Given to Mail Orders.

Henry Morgan & Co MONTREAL.

tie Lister, wore pink silk eolienne dress, white hat trimmed with rose buds, and carried pink roses and carnations. Miss Lily Herbert was bridesmaid, wearing blue eolienne gown, white hat trimmed with forget-me-nots, and carrying roses and carnations. The flower-girls, Misses Muriel and Elsie Lister, were dressed in white and carried pink carnations. Mr. Alex. Herbert was best man, and Messrs. George Herbert and John McKean officiated as ushers. After the ceremony a reception was held at the home of the bride's parents. The wedding gifts were numerous, including some cheques. Mr. and Mrs. J. C. Herbert left for New York. Going away the bride wore a blue travelling dress with hat to match.

RUSSIAN CONDITIONS

CONSTITUTIONAL DEMOCRATS BELIEVE THE BUREAUCRACY WILL SHOW FIGHT.

St. Petersburg, May 17.—Public opinion is greatly excited as to how the Emperor and the government will meet the defiant attitude of the Lower House of Parliament. Many Constitutional Democrats are not yet convinced that the government will seek a compromise. They see indications that the bureaucracy is preparing for a desperate fight.

As a matter of fact, the Constitutional Democrats are unable to any longer hold the extreme radicals in parliament, who are breaking away and forming about the Social Democratic workmen group, establishing a distinct party of the extreme left, who want not parliamentarism, but a revolution. Some of the Polish delegates are flirting with this group on the basis of complete autonomy for Poland. The greatest anxiety prevails as to what the future may bring forth.

THE ALLANS WIN

CASE BEFORE THE ADMIRALTY DIVISION OF THE HIGH COURT, LONDON.

(Canadian Associated Press.)

London, May 17.—The Admiralty Division of the High Court has rendered judgment in the case of Tasker versus Allan Brothers, in favor of the defendant. The case turned on the construction of a bill of lading for the carriage of a quantity of flour from Milwaukee to London.

The Allan Brothers are the London representatives of the Allan Line.

PRESENTATION AT CORNWALL.

Cornwall, May 16.—Mr. Carter, who was teller of the Cornwall branch of the Bank of Montreal for five years, has been promoted to the Quebec City branch. Previous to his departure he was tendered a dinner at the Hotel Duquette and presented with a handsome case of pipes by his Cornwall friends. Mr. J. A. Chisholm presided and the presentation was made by Mr. R. Larmour.

THE PAGE MURDER

A CONFEDERATE OF CONDEMNED MURDERER SAID TO HAVE BEEN ARRESTED.

Boston, May 17.—James H. Vahey, senior counsel for Charles L. Tucker, who is under sentence of death during the week of June 10, for the murder of Mabel Page, said to-day that a representative of his firm would start for Skowhegan, during the day, in connection with the arrest of Jerry Hayes, a laborer, who is held on suspicion of being implicated in the murder.

Mr. Parker, former Attorney-General, who conducted the prosecution in the Tucker trial, said to-day: 'A most superficial examination of the matter shows that it is entirely unworthy of serious consideration. Such a development was not unexpected, but I do not think that the thing should be taken seriously.'

HONOR THE PRINCE AND PRINCESS OF WALES.

London, May 17.—The Lord Mayor and Corporation this afternoon entertained the Prince and Princess of Wales at the Guildhall, and presented them with a congratulatory address in commemoration of their Indian tour. The reception was preceded by the usual procession through decorated streets. About eight hundred persons sat down to the luncheon at the Guildhall, including the German Burgomasters, who are now visiting the city. They were the only foreigners present.

We Want You To Investigate

the much advertised "REMOVAL SALES," "ALTERATION SALES," and "SPECIAL SALES TO MAKE ROOM FOR MORE GOODS," and then come to

NORDHEIMER'S

and see how much better value you can get for your money by their "EVERY DAY METHODS" of selling the best American and Canadian Pianos obtainable.

Whether you desire to rent a Piano for the summer, or purchase a second-hand instrument for your town or country home for \$75.00 to \$200.00, or a new one for \$250.00 to \$1,000.00 or more, you will find the most attractive assortment at

NORDHEIMER'S,

Established 1840.

589 St. Catherine Street West.

The only place in Montreal where the Steinway, Nordheimer, Pratte, Mason & Hamlin, Kranich & Bach, and Lansdowne Pianos, Metrostyle Pianos and Pianos Financiers can be seen. Estimates cheerfully given on old instruments to be taken in exchange.

Abundant in Strength
Delicious in Flavor
Economical in Use

ANNUAL
SALE
FOURTEEN
MILLION
PACKETS.

"SALADA"

Ceylon Tea, Black, Mixed or Green.
Sealed Packets Only—Never Sold in Bulk.
JAPAN TEA DRINKERS Should use "SALADA" Green Tea—"It's Delicious."

THE ABSOLUTE PURITY

of the flour is the first essential of pure nourishing bread. "Five Roses" Flour is made by a process which, while insuring absolute purity, in no way detracts from the nourishing properties of the flour. To any housekeeper interested in securing pure flour, who will call at our stand at the Pure Food Exhibition in the Victoria Rink, May 14th to 26th, we will give a free sample of our justly celebrated brand, "Five Roses" Flour, or our "Breakfast Food."

LAKE OF THE WOODS MILLING CO.
LIMITED.

DIRTY HABITS

STREET RAILWAY OFFICIAL COMPLAINS OF LITTER MADE BY THE PUBLIC AT RESORTS AND STATIONS.

The management of the Montreal Street Railway are anxiously awaiting the decision of the Dominion Government regarding the passage of their bill for the extension of the Park and Island Railway franchise. This important measure has been favorably considered, and accepted by the Railway Committee of the House of Commons, and it now awaits the sanction of parliament. The adoption of the bill, according to a statement made by an official of the Street Railway Company to a 'Witness' reporter, will mean very much to the city of Montreal and district.

The time has arrived, said the official, when suburban trolley extension is a public necessity, and if the company is given any kind of encouragement it is prepared to go on with the work of constructing the necessary lines in order to give trolley communication with the outlying municipalities.

For the time being the company is not prepared to announce its policy regarding the proposed extension of its service to distant points, but this will be done immediately following the passing of the bill for the extension of the franchise.

Speaking with reference to the uninviting surroundings at some suburban stations on the system, the same official remarked that it was very difficult to keep them in anything like the condition they desired owing to the fact that many people are not at all particular as to how they treat the privileges given them at these points. They are careless, he claimed, as to the general appearance of their surroundings, and seem even to take a delight in throwing about all the waste paper that it is possible for them to lay their hands on. Indeed, it would be necessary for the company to engage an army of men to look after this class of persons, and this he does not intend to do. If the public is not educated up to the point of cleanliness and order, then the community must bear the consequences and humiliation.

'It is all very well,' concluded the official, 'to speak of the conditions in other cities, especially in the United States, I find that in western Canada and across the line the people take pride in keeping their summer haunts in good order, but it is different to a great degree in this city. The reason for this I cannot explain. It certainly should not be so, and if the press would only take up the matter and make a campaign against such disorder I feel sure some good would follow. In the cities of the United States a larger number of people leave the city during the summer months than in Montreal; consequently there is more encouragement given the trolley companies to keep their pleasure resorts in good order. We can only hope for a change in the habits of many of our people along these lines. When that time arrives the company will be only too anxious to do its share towards making our suburban service as pleasant and comfortable as possible.'

INDUSTRIAL ROOMS

MANY WOMEN HELPED WITH WORK DURING THE YEAR.

At the forty-fourth annual meeting of the Industrial Rooms, held yesterday, Dr. Barclay, who was in the chair, read the secretary and treasurer's report. According to the report more work had been done than ever, and the only bounds of its future growth would be set by the market for the articles which were being made for the society. A hundred and forty-two women had been supplied with work during the year. Mention was made of the kind assistance of friends, both societies and individuals, and of the faithful work of the superintendent, Miss Rhind.

The treasurer's report showed a substantial balance upon the right side. These reports were adopted on motion of Mr. R. Lane, seconded by Mrs. John Turnbull.

The election of officers resulted as follows:—

Patroness—Her Excellency Lady Gray. Honorary presidents—Mrs. Redpath and Mrs. A. S. Ewing.

President—Mrs. R. C. Jamieson. Vice-presidents—Mrs. John Turnbull, Mrs. William Markland Molson, Mrs. J. R. Smith, Mrs. S. H. C. Miner.

Secretary—Miss M. McArthur. Treasurer, Miss Mabel Hickson. General committee—Mrs. Burland, Mrs. Barclay, Mrs. J. Edgar Hill, Mrs. W. N. Evans, Mrs. A. E. Holt, Mrs. Huntley Drummond, Mrs. Geo. Henderson, Mrs. Penhallow, Mrs. Plumpre, Miss M. O'Donnell, Miss S. Macfarlane.

Advisory board—Rev. Jas. Barclay, D.D., Rev. J. Edgar Hill, D.D., Mr.

All Run Down

In the spring—that is the condition of thousands whose systems have not thrown off the impurities accumulated during the winter—blood humors that are now causing pimples, boils and other eruptions, loss of appetite, bilious turns, indigestion, and other stomach troubles, dull headaches and weak, tired, languid feelings.

Hood's Sarsaparilla removes all these humors, cures all these troubles; renovates, strengthens and tones the whole system. This is the testimony of thousands annually.

Accept no substitute for Hood's Sarsaparilla. Insist on having Hood's. Get it today. Sold everywhere. 100 doses one dollar.

John Turnbull, Mr. Jos. Rielle, Col. J. H. Burland, Mr. W. de M. Marler.

Auditor—Mr. A. F. C. Ross. The meeting closed by remarks by the Rev. Dr. Barclay upon the excellent and encouraging work done during the past year.

Those present were Mrs. Wm. Markland Molson, Mrs. S. H. C. Miner, Mrs. R. C. Jamieson, Mrs. Huntley Drummond, Mrs. John Turnbull, Mr. R. Lane, Miss S. Macfarlane, Miss Mabel Hickson, Miss Allan, Miss McArthur.

AT THE FOOD FAIR.

Undoubtedly the exhibit of Messrs. F. X. St. Charles & Co. is attracting the most attention of the many attractions at the Pure Food Show in the Victoria Rink. The main part of this exhibit is the solid silver statue of Psyche, which Tiffany, of New York, modelled for the White Rock Mineral Water Co. This statue cost \$10,000, and Mr. F. X. St. Charles was obliged to place a guarantee of \$3,500 before the White Rock Company would allow it to come to Montreal. Besides the exhibit of White Rock water, the firm is showing high-grade lines of imported French biscuits, sardines, olive oils, and preserved fruits.

Unusual interest is being taken in the exhibit of Small's maple confections and syrups. Mr. Small is the only man in the world who has devoted his energies to maple products alone. Delicious lines of maple chocolate creams, maple wafers and syrups are being shown, and the evident care which is taken to have the goods encased in absolutely hygienic wrappings and boxes speaks well for the purity of the product when it reaches the consumer. While Small's maple products are essentially of Canadian production, yet their market is world-wide.

Messrs. R. & W. Kerr have built a trim model kitchen, supplied with every utensil from a gas stove and range down to a potato-masher, and many are the housewives who gaze with jealousy and admiring eyes upon the kitchen cabinets and the many things which go to make cooking less of a drudgery.

Mr. James Strachan, the baker, has an exhibit of at least thirty different shapes of buns and rolls. The walls are covered with bread in all shapes and sizes, and there is a barrel full of loaves.

The Lake of the Woods Milling Company has in the centre of their interesting exhibit a huge pyramid of sacks of flour weighing from seven up to ninety-eight pounds each. High arches are made from flour barrels, and the whole structure is well planned. Vases with five beautiful roses are placed here and there as symbols of their Five Rose Brand Flour. The company are showing samples of this flour and also of their breakfast foods.

Cowan's Cocoa and Chocolate have a neat booth, where are exhibited their Perfection Cocoa, chocolate cream bars, icings in all flavors, and the milk chocolate into which line the company has entered very extensively in all its branches. The main point claimed is the absolute purity of the goods bearing Cowan's name, and the Maple Leaf trademark showing the goods to be a thoroughly Canadian product.

Messrs. Rowan Bros. are showing an attractive exhibit of Beaver Brand Caledonia Water, ginger ale, cream soda, 'Iron Brew,' a health-giver and tonic, and kola.

The Edwardsburg Starch Company have a splendid booth, showing off their corn starch, laundry starch and table syrup to the best advantage. Tasteful decorations of blue and white bunting, together with flowers and palms, make their showing very pretty. The many medals and diplomas which the products of the company have won are also on view there.

Messrs. Charles Gurd & Co. have an exhibit of practically every line of temperance drink known. Huge gas tanks stand at the corners of their booth, which is made up of a high cone of bottles of the various beverages made by the company. The walls are hung with a profusion of the medals—gold, silver and bronze—as well as the many diplomas which the company has won. Their exhibit is very attractively planned.

TORONTO ESTIMATES

THE MAYOR INTIMATES THAT SALARY OF CHIEF MAGISTRATE SHALL BE \$5,000.

Toronto, May 16.—At the special meeting of the City Council to consider the estimates this afternoon, Mayor Coatsworth read a message in which he stated that he would accept \$5,000 as salary for his work as mayor. He recommended that the by-law be amended fixing the salary of the mayor at that amount. The increases recommended for the city treasurer, Mr. Coady; Mr. McQueen, secretary of the Board of Control; Mr. P. J. Walsh, assistant relief officer and eighteen meter readers, were referred back for further consideration.



THE TWO GRAVEDIGGERS.

Hamlet—"Whose grave's this, sir?"
First Gravedigger—"Mine, sir."
"O, a pit of clay for to be made
For such a guest is meet."
Hamlet—"I think it be thine, indeed."
—Hamlet, Act V, Scene 1.
(Mr. Asquith in his Budget, referring to the defunct Corn Tax, said: 'I set two of the principal gravediggers opposite.')—'Westminster Gazette.'

THEY HAD ESCAPED DTHAT.

A young disciple of Blackstone, who had worked his way through college and taken a full course in the study of law besides making a trip through the Southwest in search of an eligible location for the practice of his profession. A thrifty young city, with a considerable body of water on one side of it and a forest on the other, attracted his attention, and he desired to make a few days' stay there and investigate.

'Putting up' at what seemed to be the best hotel, he ate his dinner, then strolled into the office, and proceeded in a caustic way to interrogate the clerk.

'There is a good deal of business done in this town, isn't there?' he asked.

'Yes, sir,' answered the young man. 'One way and another there's a good jug of business going on here.'

'Healthy place, isn't it?'
'Middling.'

'Is there much litigation here?'
'No, I haven't heard of any cases of that, but there's a lot of chills an' fever, and occasionally a pretty bad case of the grip.'

'—You're Companion.'

THE APPROVED TYPE.

'And how are the children doing?' asked Uncle Tom.

'All well but Johnny. I can't make him out. Do you know,' said the anxious mother, 'he is continually getting his brothers into rows, and then running away and leaving them to fight it out alone.'

Uncle Tom looked relieved.
'Have no fear for John,' said he. 'It is clear the boy is destined to become a great diplomat.'

'Some folks,' said Uncle Eben, 'seems to 'magine dat no matter how much dey trumps on yoh feet, de's puffek gentlem if dey says 'excuse me afterward.'—Washington 'Star.'

THE SUN'S RAYS

never kissed a purer, more delightful product of nature than DEERFIELD WATER

For table use it lends a touch of refinement to the choicest viands. At All Grocers. J. H. MAIDEN, Agent, Montreal

HAVE YOU GOT A COLD?

Then get a box of HARTE'S GRIPPE WAFERS Cures a Cold in 24 hours.

How About That Cough? HARTE'S COUGH MIXTURE Will cure it. Now is the time.

J. A. HARTE, Chemist, 1778 NOTRE DAME STREET, Telephone Main 1196. Country Orders promptly filled

Groceries, Provisions, &c.

LAKE SHORE DELIVERY.

WALTER PAUL'S Waggon will begin running to St. Anne's calling at all intermediate places on Saturday morning. All orders must be in by 6 o'clock on Friday evening.

Cor. METCALFE and ST. CATHERINE STS. Phones, Up 1237, 1238.

J. PALMER & SON

1745 NOTRE DAME PHONE M 391

EVERYTHING FOR THE HAIR
HAIR DRESSING & COLORING
BY EXPERTS.

Marcel Waving Made a Specialty.

Hair Coloring in 24 Shades.

We use only the celebrated BRONX DYE, the finest in the world and guaranteed to give satisfaction. Applied by an EXPERT. Luxuriantly appointed rooms fitted with every known convenience.

Manicuring, Massage, Electric Vibrassage.

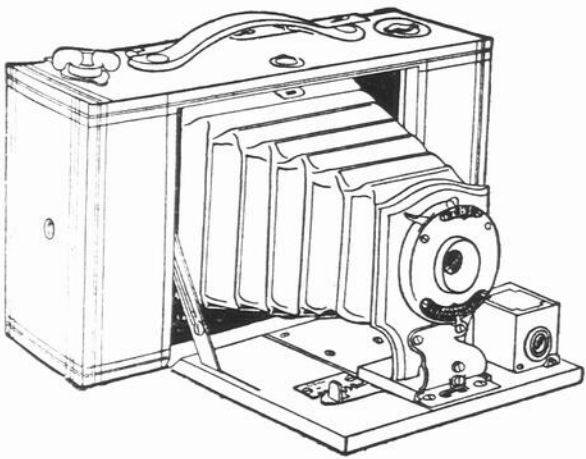
DID YOU GET A MAN YET?
to connect your gas stove! Once will get you one of our men, and how many times have you had to telephone.

GAS CONNECTIONS
FOR COOKING, LIGHT OR HEATING.
SOMETHING WRONG
with your water pipes! Don't worry, don't waste time,
Call UP MAIN 2744.

M. WALSH & CO.,
33 and 35 Vitre St. West.
GAS CONNECTIONS and ELECTRIC WIRING
OUR FORTE.

GET IT DOWN IN BLACK AND WHITE!

"Imagination fondly stoops to trace."—Goldsmith.



A CAMERA with you, and 20 YEARS FROM TO-DAY you can ENJOY THIS SUMMER'S HOLIDAY.

CATCH SOME OF NATURE'S BEAUTY AND STORE IT. GEO. BARRAT & SON, PHOTOGRAPHIC SUPPLIES, 146 PEEL STREET, MONTREAL. Phone Uptown 964.

BUSINESS MEN.

Get your invoices printed at the 'Witness' Printing House.

SICK HEADACHE

Positively cured by these Little Pills. They also relieve Distress from Dyspepsia, Indigestion and Too Hearty Eating. A perfect remedy for Dizziness, Nausea, Drowsiness, Bad Taste in the Mouth, Coated Tongue, Pain in the Side, TORPID LIVER. They regulate the Bowels. Purely Vegetable.

SMALL PILL. SMALL DOSE. SMALL PRICE.

CARTER'S LITTLE LIVER PILLS. Genuine Must Bear Fac-Simile Signature. REFUSE SUBSTITUTES.

The Daily Witness

Subscription Rates table with columns for publication type and price.

Postage included for Canada, Montreal and suburbs... The last edition of the 'Daily Witness' is delivered in the city every evening of publication...

While the publishers of the 'Witness' exercise all possible care in excluding from its columns all financial and other advertisements of a doubtful or suspicious nature...

All business communications should be addressed to John Douglis & Son, 'Witness' Office, Montreal.

Calendar for the month of May with days of the week and dates.

Saturday Advertising. ADVERTISERS will find it to their advantage, in securing proper display and classification, to send in their orders early.

THURSDAY, MAY 17, 1906.

The season when many persons take to boating and bathing in the river is at hand, and the usual record of drowning accidents may be expected.

Our British order of Parliamentary proceeding has been for the time being reversed in the Russian Douma.

Douma it was left to the House in its reply to the Czar's speech to set forth the programme of the majority. This has been well and prudently done.

Mr. Burke, the Canadian commercial agent, located at Kingston, Jamaica, in his official report of this week, advises the dairy produce shippers of this country of a few complaints against Canadian butter.

The obstinacy of British conservatism is shown in a remarkable manner by the defeat of successive efforts, extending over many years, to harmonize the marriage laws of England with those of the colonies.

Discussing the question of allowing socialist parades in the streets, aldermen came to the sensible conclusion not to interfere with them unless they caused a disturbance of the peace.

with British institutions, as it is at enmity everywhere with society as at present organized. The fact that with individual exceptions the paraders were recent importations into this country accounts for much.

TIT FOR TAT. Alderman Lariviere complains that we do not bury our sorrows concerning the awful state of our roads and sidewalks sufficiently.

The annual meeting of pastors and lay representatives of the Methodist Church in Quebec district was held at the Ancient Capital on Tuesday.

HUMANITY VINDICATED.

Humanity has been vindicated by the splendid prodigality of contributions for the relief of the sufferers by the San Francisco earthquake.

The following laymen were also in attendance: Messrs. W. H. Lambly, Inverness; W. G. Paxman, Quebec; J. Armitage, Richmond; W. H. Stevens, Trenholmville; Mr. McKee, Sawyerville; B. C. Howard, Sherbrooke.

magnificent boulevards, finer parks, more beautiful terraces, grander edifices of all kinds. Herein it differs from Montreal, which, when its heart was burned out by what is called the Board of Trade fire, scouted every suggestion to take advantage of the occasion to introduce magnificent improvements of plan.

ROMEO AND JULIET

Much interest has been taken in the announcement that four of the plays of Shakespeare, 'Romeo and Juliet,' 'Laming of the Shrew,' 'Twelfth Night,' and 'The Merchant of Venice,' would be presented in Montreal this week by Mr. Frohman.

DISTRICT MEETING

QUEBEC EAST METHODISTS HELD SESSION AT THE ANCIENT CAPITAL.

The annual meeting of pastors and lay representatives of the Methodist Church in Quebec district was held at the Ancient Capital on Tuesday.

FOREIGN MISSIONS

PRESBYTERIAN BOARD CONCLUDES SITTINGS AT TORONTO.

Toronto, May 17.—The Foreign Mission Board of the Presbyterian Church concluded its sittings last night.

THE LINOTYPE DISPUTE.

Argument was commenced before Mr. Justice Archibald yesterday in the case of the Mergenthaler Linotype Company vs. J. R. Douglis et al.

THE 'PRESSE' AND GAS COST OF PRODUCING GAS NOT MORE THAN TWENTY-FIVE CENTS.

A few days ago the 'Presse' reproduced an article from the New York 'World,' written by ex-Senator Thomas D. Donnelly, on the gas question.

Commenting on the above, the 'Presse' said in its turn: 'This appreciation of the situation by ex-Senator Donnelly contains nothing very new.'

WOMEN'S FOREIGN MISSIONARY SOCIETY

THE REV. DR. GRIFFITH DE-CLARES CHRISTIANITY THE ONLY REMEDY FOR THE 'YELLOW PERIL.'

Winnipeg, Man., May 16.—Speaking at the Women's Foreign Missionary Society Convention, of the Presbyterian Church, to-night, the Rev. Dr. Griffith, Honan, China, declared that he was convinced from observation that the 'yellow peril' is a stern reality.

FOREIGN MISSIONS

PRESBYTERIAN BOARD CONCLUDES SITTINGS AT TORONTO.

Toronto, May 17.—The Foreign Mission Board of the Presbyterian Church concluded its sittings last night.

THE LINOTYPE DISPUTE.

Argument was commenced before Mr. Justice Archibald yesterday in the case of the Mergenthaler Linotype Company vs. J. R. Douglis et al.

MR. ROBT. J. WICKENDEN, ARTIST AND CONNOISSEUR

Mr. Robert J. Wickenden, whose portrait of Sir William Van Horne is reproduced in the 'Illustrated' today, is known to many in Montreal not only as a talented painter, but also as an exceptionally gifted connoisseur of the fine arts in general.



MR. ROBT. J. WICKENDEN, Artist.

fine taste of the collector. Painters as well as poets are 'born, not made,' and Mr. Wickenden began to draw at a very early age.

After spending a memorable summer in the Forest of Fontainebleau, near Paris, Mr. Wickenden first exhibited at the Paris Salon of 1884 'La Gleanee en Foret.'

In 1891, Mr. Wickenden visited Italy and Germany, spending some time at Rome, Naples, Florence, and other Italian cities, besides stopping awhile at Munich.

In 1900 Mr. Wickenden decided to bring his family to this country, and took up headquarters in Montreal, buying a number of portraits in this and other cities, and studying the Canadian landscape during the summer months.

Mr. Wickenden has recently bought a studio in New York, and a country place at Bethel, Connecticut, about thirty miles out of the city.

A CHILD KILLED.

Kingston, Ont., May 17.—A child accident occurred at the home of Mr. John Hodson, Deseronto Road, in the death of his little daughter, who was only three years old.

The John Murphy Company Limited

We Close Daily at 5.30 p.m. Thursday, May 17th, 1906.

A Remarkable Sale of Neckwear.

With possibly two or three exceptions, the most remarkable sale of neckwear ever held in Canada will begin on Friday.

Now you know we very seldom make such a strong statement as that, and we wouldn't make it now if we didn't believe it to be true.



The buyer of this department has been positively daring in the extent of his purchase, and he never would have made it but for a firm conviction that it would enable him to give values that have never been equalled before.

The first lot is to be placed on sale Friday, and consists of 4692 PIECES, WORTH .35 TO .50, AT .15 EACH.

Linon and baby Irish collars, silk embroidered collars, linen embroidered collars in tab effect, colors all white, pale blue and white, black and white, and pretty opalescent shades, not an undesirable one in the whole lot of them. Regular prices .85 to .50. Friday .15

1,200 HAT SHAPES THIS SEASON'S STYLES.

REGULAR WHOLESALE PRICES, \$1.00, \$1.25, \$1.50, \$1.75 and \$2.00.

On Sale Friday at

Two large wholesale houses have contributed to this sale.

At one price we cleared out all the imported shapes they had left.

They include shapes that ordinarily couldn't be sold to you for less than 2, 3, 4 and 5 times the money.

We're not going to wait until the season's on the wane before we offer them to you; but right now, at the very beginning, in time for the 24th of May we shall give you the opportunity to choose your new spring hat out of the 1200 shapes that will be placed on sale Friday, at .50 each.

Most of them are of fine chip, mohair, and tussan braids and were marked by the wholesale houses, at \$1.00, \$1.25, \$1.50, \$1.75 and \$2.00.

We have yet to find anything in the way of Hosiery so completely satisfactory as the ones of which we sell 3 pairs for \$1.00, every pair worth at least .45 and many of the cashmere ones, .50 and .60.

A GRAY CHECK WASH FABRIC.

A new wash fabric that is a very clever reproduction of an effect that has been most fashionable in wool at rather high prices, will be offered on Friday morning

at .12 1-2 a yard.

That is about .12 1-2 less than its worth. We were so impressed with its beauty, good taste and style, that we made the importer an offer for all that he had of it, which wasn't very much. We learn also that there is no more of it to be had in Canada. You might take a look at it in the window to-day and see for yourself if it isn't worth while coming down for in the morning at 8 o'clock.

It's a gray check in different sizes.

Friday per yard, .12 1-2

FINE MILANESE LISLE GLOVES) .25 Regular Value, .45 to .60,

On Friday we shall offer at .25 a pair a purchase of 650 pairs of fine Milanese and taffeta gloves from Germany worth .45 to .60.

Colors: modes, grays, tans, brown, white, black, champagne, green and red. Friday, .25.

Note:—At the same price we shall also offer 120 pairs of long silk gloves in pink, sky, yellow and green.

The "Countess" Shoe at \$3.50 will keep up its appearance after you have fully appreciated the fact that it is worth \$5.00.

LADIES' .50 and .75 STEEL BELT SETS .25.

Ladies' Parisian Steel Buckle Sets, in five neat and effective styles. Regular values .50 and .75.

Friday, per set of two pieces, .25.

.35 to \$1.00 WASH BELTS for .25.

Ladies' Wash Belts in a large range of styles and colorings, some are slightly soiled but all are new styles. Regular value .85 to \$1.00.

Friday .25.

EARL GREY AT RENFREW

INSPECTED THE CREAMERY AND SPOKE OF TRADE WITH JAPAN.

Renfrew, Ont., May 16.—His Excellency Earl Grey visited this town to-day and inspected the local creamery. Fully five thousand people were gathered in the streets. Earl Grey was accompanied by Lady Sybil Grey, Captain Trotter, A.D.C., Hon. Sydney Fisher, Consul-General Nosse, and Mr. A. A. Wright, M.P. for the county. The Governor-General was received at the station by the Mayor and Council and prominent citizens, and presented with a handsomely bound address, to which His Excellency briefly replied. Upon arrival at the creamery, Earl Grey was the recipient of another address from the directors of the Creamery Company.

In reply to this address, His Excellency said that he had had an interesting conversation with Consul-General Nosse on the train about the possibilities of securing a market in Japan for Canadian butter and he had been struck with the things told him by Mr. Nosse. In Japan butter is selling for fifty cents a pound and it costs only one cent to send the product from Toronto to that country. In Japan there are forty millions of people who are fast becoming eaters of wheat flour, instead of rice. He spoke of the reference in the address to the visit eleven years ago of Lord Aberdeen, and said he was sure that Aberdeen would be gratified with the advance of Renfrew could he pay another visit to the town. He was sure Lord Aberdeen would be glad to come again. He also referred briefly to the butter-making industry and the extent to which it had grown. He had been impressed, he said, with the Scottish flavor of the nomenclature of Renfrew. Macpherson, McNabs, and Mackenzies were to be found on every hand and he laughingly assured the audience that where there were so many canny Scotchmen, there could not fail to be worldly success and business prosperity.

The Hon. Sydney Fisher, Minister of Agriculture, spoke on the general outlook in agriculture in Canada. While the great west is producing stupendous quantities of grain crops, and is being developed rapidly, the development in that respect was no more striking than the development in Eastern Canada in dairying and the manufacture of butter and cheese. There was nothing to which the eastern farmer could turn his attention with greater profit than the dairying industry, and he referred briefly to the enviable record Canada has already made in that respect. So remarkable had been the progress that farming and dairying in Canada were attracting the official attention of European governments, and Germany had already sent agents to this country to study our methods. Mr. Fisher also spoke of the great value of the market now opening in Japan. Consul-General Nosse made a pleasant reference to the beauty and attractiveness in all respects of Canada's women. Three of his daughters had been educated under Miss Arth, of the Ottawa Ladies' College, and he had had opportunities to know and increasingly admire the women of this country. He suggested that some of the fair ladies of Renfrew be sent over to Japan along with the butter and cheese that would be shipped there. He would warrant that the ladies would never return, if the solicitations of his countrymen could keep them in the Flowery Kingdom.

An inspection of the creamery followed, then luncheon, and a drive about town. The party returned to Ottawa by the noon train.

STANDARD OIL COMPANY

DENY POSITIVELY THAT THEY HAVE BENEFITED FROM SECRET FREIGHT RATES

New York, May 16.—The Standard Oil Company to-day issued to its shareholders a statement in reply to the special message recently sent to Congress by President Roosevelt and the report on the country's oil industry by Commissioner Garfield, of the Bureau of Corporations, which accompanied it. The statement is signed by Mr. C. M. Praeger, secretary, and was issued by order of the board of directors. It denies positively the charge that the Standard Oil Company benefited by secret rates for the transportation of its products.

Whatever measure of prosperity it has enjoyed, says the statement, is not traceable to illegal or reprehensible methods, but to its economic and elaborate industrial organization, covering, as it does, every detail of transportation, manufacture and administration. The same declares that the statement that the company saves \$700,000 a year through the operation of certain freight rates could only have been arrived at by theorizing. The statement is in part as follows:—

On May 4 the President of the United States submitted a special message to Congress, transmitting a report to him by Commissioner Garfield, of the Bureau of Corporations, in which the commissioner charges that this company has "habitually received from the railroads, and is now receiving, secret rates and other unjust and illegal discriminations." Preliminary disclaimers were at once made to Commissioner Garfield's allegations, but we feel that you may naturally anticipate a more elaborate and technical reply, which we submit herewith.

WEARING AWAY YOUR LUNGS?

Yes, and your strength, too. Stop coughing and get rid of that catarrh. The cure remedy is 'Catarrhazone' which goes to the diseased tissues along with air you breathe; it can't fail to reach the source of the trouble, it's bound to kill the germs, and as for healing up the sore places, nothing can surpass Catarrhazone. If you don't get instant relief and ultimate cure you will at least get back your money for Catarrhazone is guaranteed to cure catarrh in any part of the system. You run no risk—therefore use Catarrhazone—at our expense if not satisfied.

Children Thrive When They Are Given

COWAN'S Perfection COCOA (Maple Leaf Label)

It is more nutritious than pure milk, and is more easily digested.

THE COWAN CO., Ltd., TORONTO.

HAMPERS

For Outing Parties.

Large Assortment Just Received.

MORTON, PHILLIPS & CO., Stationers, Blank Book Makers and Printers, 115-117 Notre Dame Street West, MONTREAL.

FLOUR

FOR BREAD AND FOR PASTRY. Whole Wheat Flour and Graham Flour for Brown Bread. BREAKFAST CEREALS of all kinds. BRADIE & HARVEY, 10 and 12 Bicy Street.

CHEMISTS

and Cook's Friend Baking Powder pure.

DOCTORS pronounce it wholesome.

COOKS know it does the work at the right time.

HOUSEWIVES say that cake and bread raised with Cook's Friend Baking Powder are fine, dainty and delicious.

REMOVAL NOTICE.

WALTER M. KEARNS Auctioneer,

has removed to his new premises, known as the

NATURAL HISTORY BUILDING 32 UNIVERSITY STREET (CORNER CATHCART STREET).

Extensive alterations are being made, which when completed will offer to the public

Most Attractive and Generally Situated Salesrooms,

with unequalled facilities for the disposal of any class of goods through the popular medium

PUBLIC AUCTION

as to the more important points to which reference is made in Mr. Garfield's report.

If the claim of Commissioner Garfield was true that the Standard is favored by open rates, it would involve not only collusion between the railroads and the Standard Oil Company, but collusion by the railroads with each other. It would also involve the consent of a railroad not reaching Whiting, Ind., for example, to the establishment of rates out of that point which would be injurious to business out of another point at which a competing railroad was receiving traffic. To bring about such an arrangement would be impossible. It may be said generally that there is a competing refinery in almost every section of the United States where the Standard had a refinery, except at Whiting, Ind.

No rates can be made applicable to the Standard which will not be equally applicable to the Standard's competitors.

After an investigation of shipments during a period of about 15 years, over more than 200,000 miles of railway, the commissioner is not able to show that the Standard Oil Company received a single rebate on its interstate shipments. He has only been able to call attention to a few instances in which the rate situation, in his opinion, required explanation. This explanation was freely given, and we believe would be satisfactory to any man familiar with transportation problems.

If the commissioner had any doubts as to the regularity of these rates, he might have brought them to the attention of the Interstate Commerce Commission, when the questions at issue could have been heard and determined. In the absence of such determination it is surely not within the limits of fairness for the Bureau Corporation to cast aspersions upon a great corporation.

The company owns and controls only a very moderate proportion of the crude production of the United States, and with at least 125 competing refineries in existence, it is a palpable fallacy to call the Standard a monopoly. For the last quarter of a century more than 60 percent of its output has been shipped to foreign countries. In creating and sustaining

THE "RAZOR BACK" HOG (Semi-Wild)

From which the "Todd" (Smithfield, Virginia) Hams are taken



READ WHAT THE CURERS HAVE TO SAY ABOUT THE 'TODD' HAM. 'The Todd Hams, when shipped, are thoroughly cured, and will keep perfectly and indefinitely hung in a cool, dry room; they improve with age, whilst some like them new, in the early spring, we consider them in perfection by the fall, and thereafter as long as you choose to keep them.

'Todd Hams are taken from the 'Razor-back hog,' semi-wild, raised in our section only. These hogs roam the forest about nine months of the year, feeding on roots, etc., through the summer months, and in the early fall subsist on acorns, chestnuts, etc., with an occasional feed of corn; after which they are turned in the fields to feed on peanuts for about a month, and then fed on corn about three weeks before killing.

'We buy the Hams (green) of the farmer, putting them through our process of curing, which is very slow and expensive. To make a Todd Ham, it takes about two months' curing.'

AGE ONLY IMPROVES THE 'TODD' HAM.

TODD'S RECIPE TO BOIL HAMS.

First, wash well the ham in warm water. Now place it in the Boiler with, say, from 8 to 10 gallons of cold water. At the commencement of cooking you will be careful to only simmer very slowly for the first hour. Thereafter steadily and regularly boil until the Ham is soft and WELL DONE. To cook thoroughly a 10-pound Ham requires, say, 4 hours, and other sizes in like proportion. Remove the skin while the Ham is warm. TRY A 'TODD' HAM—Using the above recipe.

ROQUEFORT CHEESE (Bee Brand) ROQUEFORT CHEESE The original and genuine Societe brand—25 cases, each, 12 cheeses; a shipment just to hand of the very finest quality FRENCH ROQUEFORT CHEESE. "CAMEMBERT CHEESE." "CAMEMBERT CHEESE."

The finest imported, 50c per box.

ARE YOU A LOVER OF CHEESE?

We have a full and complete assortment from all quarters—'Camembert' Cheese, 'The Canada' Cream Cheese, Roquefort Cheese, 'Pic-Nic' and 'Gem' Slices, Oka Cheese, Finest Gruyere (Switzer Cheese), etc., etc.

SARATOGA SPRING WATERS

Saratoga 'Lincoln Spring' Water, \$1.00 per dozen pints; \$3.00 per case of 2 dozen pints. Saratoga 'Patterson Spring' Water, \$2.00 per dozen imperial pints; \$3.50 per case of 2 dozen imperial pints. Saratoga 'Congress Spring' Water, \$2.25 per dozen pints; \$4.00 per case of 2 dozen pints. Saratoga 'Hathorn Spring' Water, \$2.00 per dozen pints; \$3.50 per case of 2 dozen pints. Saratoga 'Victory Spring' Water, \$1.00 per dozen pints; \$3.00 per case of 2 dozen pints; \$2.40 per dozen quart; \$3.25 per case of 50 quarts.

FRASER, VIGER & CO., ITALIAN WAREHOUSE, ESTABLISHED, 1856

THE NORDHEIMER BUILDING, 207, 209 & 211 St. James St. MONTREAL.



EYE SIGHT TESTING

HAVING PURCHASED ALL THE UNIQUE EYE TESTING INSTRUMENTS FROM THE ESTATE OF THE LATE DR. BULLER, I AM PREPARED TO CONDUCT THE SAME HIGH-CLASS ACCURATE SIGHT TESTING, WHICH CONTRIBUTED TO THAT EMINENT SPECIALIST'S WORLD-WIDE REPUTATION.

Hours 9 to 1, 2 to 5.

Appointments, Tel. Up 1832.

PROF. GRANT, B.O.A., HON. MEMBER BRITISH OPTICAL ASSOCIATION, 294 (Old No. 2172) St. Catherine Street, Opposite Bible House.

LACE CURTAINS.

If you have any Lace Curtains, no matter how expensive, to launder, you can, with absolute confidence and safety, send them to the

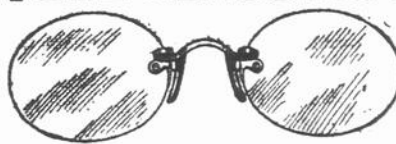
TOILET LAUNDRY, "The Laundry That Knows How."

Prices:—Nottingham Lace and similar make 20 cents each. Brussels Lace, Swiss Net or other expensive Curtains, 25 cents to 30 cents each.

290 GUY STREET.

Phones—Up 3480-3481-3482.

The FOX EYE GLASS MOUNTINGS



The Neatest, Most Comfortable and Durable. "WILL NOT MARK THE NOSE." For Sale only by FRANK C. FOX, REFRACTING OPTICIAN, 32 MCGILL COLLEGE AVENUE.

this vast trade, the company has encountered innumerable obstacles and incessant competition from other industries possessing the advantage of geographical location and cheaper labor, and which are oftentimes developed under the fostering care of their respective governments.

If the company maintains a gratifying percentage of the world's commerce, it is because it keeps its agreements and delivers products of reliable quality at reasonable prices. Whatever measure of prosperity it has enjoyed is not traceable to illegal or reprehensible methods, but to its economic and elaborate industrial organization, covering, as it does, every detail of transportation, manufacture and administration.

MR. GABOURY HONORED.

Mr. Arthur Gaboury, the newly-appointed assistant superintendent of the Montreal Street Railway, assumed his new duties yesterday in succession to Mr. Trudeau, who has gone to the Pyrenees for the benefit of his health. Yesterday Mr. Gaboury was tendered a complimentary dinner by a number of prominent citizens, and he was the recipient of congratulations on his well-merited promotion.

IS USING WIDOW'S CARTS

Road Department Needs Them to Haul Mud.

COMMITTEE RECEIVES PROTEST AGAINST OHIO SANDSTONE.

An interesting sidelight on the extraordinary methods of the Roads Committee was provided this morning, when it was announced that the widows whose carts have been hired by the city in past years, but who were dismissed a few weeks ago on the express order of the Roads Committee, have all been employed again by the city surveyor.

These widows were dismissed at the very time when there was a great outcry about the disgraceful state of the dirty streets, and when the city surveyor had explained that his great handicap was a lack of the necessary number of carts to haul the mud away after it had been gathered up in heaps in the streets.

The Roads Committee, when challenged to do so, was at a loss to reconcile its extraordinary action with the statement of the city surveyor that he had urgent need of all the carts he could get. Now, however, they have been obliged to take back their previous unreasonable decision, and have been shown that it was both unwise and unreasonable, taking into consideration particularly the special circumstances attending the time when it was made.

All the widows have now their carts in use by the city, and as many more as have carts will be employed so long as the existing requirements last. In another direction also the Road Committee is being made to eat 'humble pie.' Some little time since it decided that no more New York bluestone should be ordered for sidewalk paving purposes, but that Ohio sandstone should be used for that purpose instead.

Bluestone has been in use in Montreal for over a quarter of a century, and has given the best satisfaction of any stone that has been used here for that purpose hitherto. On the contrary, Ohio sandstone, which has been used for sidewalk paving in Toronto, has proved an utter failure on account of its softness, rendering it quite unfit for long service as sidewalks. This fact is well known to Mr. Barlow, who informed the committee of it, and who strongly urged that the bluestone should be used, as hitherto. The committee, however, went dead against the special advice of its chief executive officer, and ordered the use of the sandstone.

Sidewalk paving was done accordingly on the sidewalk outside the Church of the Sacred Heart, at the corner of Maisonneuve and Ontario streets, recently. The result is that the following letter has been received from the Rev. Father Adam on behalf of the churchwardens of that church:—

'I regret that the flagstones (Ohio sandstone) should be so friable. This stone is very soft, and we are afraid that the work will prove very expensive, and will not last very long. There are about a thousand children passing on this sidewalk four times a day. I believe that the churchwardens have protested against this style of flagstone, and certainly the New York bluestone would have been very much preferable.'

THE PREMIER'S MOVEMENTS. Premier Gouin was at the Government Offices in this city this morning. Among others who called upon him was the Rev. Canon Dault. His visit is supposed to have been in connection with the question of the uniformity of bows in the Catholic schools of the city and matters connected with Laval University. The Premier will visit the Pure Food Show this evening. The Hon. Mr. Turgeon, Minister for Crown Lands, was also in the city this morning. All the provincial ministers will be here to-morrow, when a cabinet meeting will be held.

MONTREAL METHODISTS

The annual district meeting of the Montreal Methodists has been in session at the East End Methodist Church for the past two days. An unusually busy time has been experienced and encouraging reports came from all sides. A net increase in members of 250 was reported, while contributions to missions have increased by \$800, and other funds are in a similar condition.

The Rev. E. Thomas presented a series of proposals from a ministerial committee concerning new legislation at the ensuing General Conference. These memorials aroused keen interest and at times animated discussion.

The chief memorials adopted were: 1. That all General Conference officers be elected from a group of at least three persons previously nominated for each position.

2. That the office of general secretary of education be abolished, his work being united with that of the general superintendent, and the promotion of interest in the educational fund to rest with conference secretary of education.

3. That grants or colleges be so arranged as to modify existing discrepancies in salaries.

4. That there shall be always in training for professional work ministers who unite postural experience with peculiar fitness for academic work. Financial proposals accompany this.

5. That the stationing committee consist of two ministers elected at each district meeting.

6. That ministers be stationed from year to year without time limit—including French missionaries.

7. That the office of associate secretary of missions be abolished.

8. That a committee be appointed by the General Conference to revise all the general rules of the Church. (This last provoked a long discussion, some members thinking it was a covert attack on the famous 'footnote.' But it was shown to afford a way out of the present deadlock and a meeting point for those who have assailed or defended the footnote.)

9. That half the ministers elected to the General Conference be elected by vote from senior ministers who have not attended the supreme court of the Church. (This proposal of Dr. Young's was adopted by a majority of one.)

10. That the probationers be required to do more college work, and that ministers in the active work be forbidden to take any place on the directorate of investment or insurance companies.

The committee, however, went dead against the special advice of its chief executive officer, and ordered the use of the sandstone.

Stationing, the Rev. W. H. Stevens or the Rev. J. E. Mavey (alternate); Sunday-schools, the Rev. Dr. Young and Mr. J. W. Knox; Epworth League, the Rev. T. A. Halpeny and Mr. E. Dixon; Reynolds and Mr. J. H. Carson; temperance, the Rev. G. G. Huxtable and Mr. S. J. Carter; sustentation, the Rev. R. Robinson and Mr. S. Burrell; Sabbath observance, the Rev. W. J. Wood and Mr. J. B. Elliott; church property, the Rev. H. S. Osborne and Mr. W. H. Rosevear, sr.; state of the work, the Rev. W. T. Halpeny and Mr. J. H. McKeown; nominating, the Rev. C. I. Scott and Mr. W. S. Langley.

The following were elected lay representatives of the district to the Montreal Conference: Messrs. John Torrance, J. H. Carson, T. J. Parkes, James Melrose, S. J. Carter, John Cunningham, W. G. Burrell, J. W. Palmer, W. Godwin, Brown, H. A. Moulton, T. Luddington, R. L. Werry, Ellis Dickson, J. W. Knox, Charles Morton, J. H. McCann, G. F. Johnson, H. Field, J. H. McKeown, J. B. Elliott, Wm. Biltcliffe, A. G. Howell, W. H. Rosevear, Isaac Collins, W. S. Langley, J. N. McKim, R. J. E. Scott, W. P. Martin, Wm. Greig, R. J. Latimer, Wm. Hanson, J. O. Secord, Wm. Toes, J. J. Smith, Lachine; A. W. Mullin, Hudson; Henry J. Hammond, Lachute; S. Tremaine, Three Rivers.

The Rev. M. Taylor, chairman of the district, presided.

NORTH ATLANTIC TRADING COMPANY

Examination of Mr. W. T. R. Preston Begins Before Public Accounts Committee

Ottawa, May 17.—Before the Public Accounts Committee this morning the examination of Mr. W. T. R. Preston, the Canadian Immigration Commissioner in London, began. Mr. Preston was called to give evidence in regard to immigration matters, and particularly the government's contract with the North Atlantic Trading Company. Mr. Preston's examination to-day bore particularly upon the labor bureau conducted in London by a man named Leopold, in which it had been declared that Mr. Preston had an interest. The witness positively denied to-day that he had any connection therewith.

Mr. Preston told the story also of the theft of private letters from his office in London that found their way to the High Commissioner's office there.

With Mr. Preston were the two trunks of books and papers that he brought across with him in connection with the subject matter of his examination. The Hon. Clifford Sifton, ex-Minister of the Interior, under whom Mr. Preston entered the immigration service, occupied a seat alongside the chairman. The old Railway Committee room, in which the examination was conducted, was crowded to the doors with members and spectators.

Mr. W. L. Griffiths, of the High Commissioner's office, in London, and Mr. Alf. Jury, immigration agent in Liverpool, with whom Mr. Preston has had strained relations for a considerable time past, occupied seats at the opposite end of the room, and were interested auditors of Mr. Preston's testimony.

Mr. Barker of Hamilton, who began Mr. Preston's examination, asked for all orders-in-council relating to the witness's duties.

The Hon. Clifford Sifton interposed that if a member wanted orders-in-council he would have to move for them in the House.

'I do not care how I get them as long as they are produced,' replied Mr. Barker.

When was the order-in-council passed empowering you to sign cheques for Lord Strathcona in his absence? asked Mr. Barker.

Mr. Preston—That was in 1901. Mr. Barker—And when was it changed? Mr. Preston—It was changed a few months ago.

Mr. Barker—Why was it changed? Mr. Preston—I do not know.

As to his correspondence, Mr. Preston said letters passed between him and the numerous immigration agents and companies, including the North Atlantic Trading Company.

Mr. Barker—When did you first have correspondence with Louis Leopold? Mr. Preston—In 1902.

The witness did not know Leopold had anything to do with the North Atlantic Company.

Mr. Barker—Will you tell us Leopold's real name.

Mr. Preston—Yes; it is Leopold Lazarus. I found that out a short time ago. It is a common thing for men to make such changes in their names.

Mr. Preston said he arranged with Leopold to send good English agriculturalists to Canada. The bonus paid was not different from what should be given any booking agent.

Mr. Leopold went in the business in 1903, and Mr. Preston recommended him to several shipping companies.

Mr. Leopold took an office in Charing Cross, and his place became known as the Labor Bureau. There was no connection, however, between Mr. Preston's office and Leopold's. The witness added that he himself had no interest in this labor bureau that Leopold conducted.

Mr. Barker—Were you ignorant that complaints were made here about your connection with Leopold's office, and that Leopold was called a strike-breaker.

Mr. Preston—No; I did not know the specification complaint.

Mr. Barker—Did not you know Leopold was sending artisans to Canada? Mr. Preston—But there were so many complaints about my work that I do not remember that matter exactly.

Mr. Barker—Did you receive any instructions from the Department regarding the matter? Mr. Preston—Yes.

Mr. Barker—Have you the correspondence? Mr. Preston—I was instructed by the Department not to bring over any papers which might be duplicated in Canada.

ASSAULTED AND ROBBED

GIRL ATTACKED WHEN SHE WAS WALKING HOME FROM A DANCE.

A young woman named Aurore Lafleur, living on Sanguinet street, and employed by Joseph Nantel, on St. Paul street, has complained to the police of having been assaulted and robbed. A few evenings ago, she says she attended a dance, and early in the morning returned part of the way home in company with two girl friends. They parted company at the corner of Dufferin and Amherst streets, and Miss Lafleur had not proceeded very far alone when she was attacked by a man who knocked her down and robbed her of her satchel, money and watch. The detectives are trying to find the man by the description the girl has been able to give them.

RAILWAY COMMITTEE

BILL OF MONTREAL, OTTAWA & GEORGIAN BAY SHIP CANAL COMPANY UNDER CONSIDERATION.

Ottawa, May 17.—The bill of the Montreal, Ottawa & Georgian Bay Ship Canal Company, applying for increased capital, increased bonding powers and an extension of the company's charter rights for another two years, was considered before the House of Commons Railway Committee and held over until May 29.

Mr. Ritchie, K.C., who appeared for the company, asserted that ten million dollars capital was insufficient for an enterprise of such magnitude, and justified the bill proposed. The company asked also power to issue bonds to an amount of one hundred millions, on which he thought they might realize about eighty millions. Already the promoters of the enterprise had expended a considerable sum upon surveys and the distribution of literature.

The Minister of Public Works was asked for a statement of the government policy in regard to this work and in reply declared that his department had not yet received the report of the survey that was undertaken a couple of seasons ago to ascertain the feasibility and the cost of the undertaking. The survey itself was a large work and the government was not yet ready to announce its policy upon the subject. The Montreal, Ottawa & Georgian Bay Canal Company had been chartered in 1894. There was a clause in its charter under which the company is bound to submit all plans and specifications for government approval. The government survey was designed to ascertain the cost of twenty-two foot waterway over this route. The actual survey work had been practically finished. Mr. Hyman intimated that the government might have amendments to propose at a later stage of the bill, but he saw no reason why the company should not obtain a renewal of its charter. Mr. Hyman saw no reason, however, for increasing the capital or bonding powers of the company at this stage.

The Hon. John Sargent maintained that the government's interest would not be prejudiced by the increase of the capital stock that the present bill sought. It was absolutely impossible to get money enough to undertake the enterprise in the present capitalization and bonding powers. The project was of national importance, not only to Canada, but to the whole of America.

Messrs. J. G. H. Bergeron, of Montreal, and Wright, of Renfrew, and C. A. McCool, of Nipissing, all held that the public interests would be best served by the government building the canal.

Mr. Bergeron insisted that no private company would ever undertake it through. He opposed the bill in toto. Mr. McCool and Mr. Wright recognized the service the company had already performed in keeping the enterprise before the country.

The Minister of Justice saw absolutely no reason why this company should not be given the means to carry its project through. In the event of the government itself undertaking the work, it would not make any difference to the country whether the company's capital was ten millions or fifty millions, the company would be indemnified for any work it had actually done. That was all. The prospective profits of the company would not enter into the calculation.

The Minister of Railways held that three things were clear. The canal should be built; the government should operate it, and he did not believe any company would build it. He suggested an amendment providing that in the event of the government deciding to build a canal between any of the points mentioned in this company's charter, the company could not make any extra claim because of the extension granted. The bill was accordingly postponed until May 29.

Consideration of the Bell Telephone bill resumed a few minutes before one o'clock, but nothing had been done when the committee adjourned for lunch.

Ottawa, May 17.—Mr. George T. Merwin, Montreal, from whom large purchases of buoys and other supplies have recently been made for the Marine Department, was asked before the Public Accounts Committee to-day whether there was any truth in the charges made in Parliament that officers of the Marine Department secured a 'rake-off' on the transactions. His answer was a positive assurance that they did not.

FOUR SENTENCES FOR THEFT. Joseph Currier, a young man who robbed the Cash Register Company of \$275 while he was in their employ as collector, was to-day sent by Judge Desnoyers to jail for four months.

Joseph Payette, for receiving brass piping stolen by a boy, was sent to prison for a month. J. Triguette, who said he came from Quebec, was sent to jail for fifteen days for stealing a bundle of 1,000 cigars valued at \$30, from a Canadian Express wagon, at Bonaventure station; and Arthur Rousseau, a youth, was sent to jail for ten days for theft.

FINANCIAL

LOCAL STOCKS.

Table with columns for Stock Name, Price, and other financial data. Includes items like Bell Tel., B.C. Pack, C.P.R. ex R., etc.

OBITUARY

REV. ANDREW DRENNAN.

Kingston, Ont., May 17.—The Rev. Andrew Drennan, a superannuated Methodist Minister, died this morning after an illness of some months. Last year Mr. Drennan celebrated his jubilee in the ministry. For the past 18 years he has been a resident of Kingston. In early days he travelled on circuits both Toronto and Hamilton, later coming East and spending the balance of his ministry in the Montreal conference. A widow and three daughters survive him, one of the latter being Dr. Jennie Drennan, of St. Thomas, Ont., and another Mrs. Hutcheson, of Brockville. Deceased was about 75 years of age, a godly man whose memory will be cherished by scores throughout the Province.

MRS. J. W. DENISON.

Richmond, Que., May 15.—The death took place in Cleveland, Que., on Wednesday, May 9, of Mary Jane Monroe, wife of the late J. Wm. Denison. She was in her eighty-ninth year at the time of her death. The funeral was held on Saturday afternoon from her late residence, to St. Augustine Church, Danville, where the funeral service was held. Interment in Danville cemetery. Mrs. Denison was a sister-in-law of Mr. J. R. Denison, postmaster of Richmond.

TEN YEARS FOR BRUNETTE

SEVEN YEARS FOR FIRING CONVENT

STABLE, AND THREE YEARS FOR HORSE THEFT.

Alexandre Brunette, the young man who stole recently two horses from the stable of the Villa Marie Convent at Notre Dame de Grace, and then set fire to the premises in order to cover his theft, was today sentenced by Judge Choquet to ten years in the penitentiary—seven years for setting fire to the place and three years for stealing the horses. The prisoner offered no defence.

Brunette was arrested on information supplied to the city detectives by Mr. Mathieu, of Bonsecours street, at whose lively stables the two stolen horses were offered for sale. Afterwards the prisoner made a full confession to Chief Carpenter. His story being published in the 'Witness' at the time.

SHIPPING NEWS.

MOVEMENTS OF VESSELS.

Napaulina, Montreal to Trinidad; Universe, Montreal to Sydney; Mongolian, Quebec to Montreal; Ecstasy, Quebec to Montreal; Ontario, London to Montreal.

The programme of the concert given last evening under the auspices of the Montreal Musical Company, was contributed to by several of the sailors, whose efforts won much applause. Miss Stewart, Messrs G. Chrimes, E. Reid, E. Roberts, E. J. Holland, W. Holland, Ware, J. Walsh, Miller, G. A. Holland, F. Frant, Dixon, Finn, J. Farrell, Seaman T. Toole, M. Flynn, Grip, Griffiths, J. McDow, J. Grant, S.S. Canada; Chas. Booth, Leslie Paton, S.S. Tunisian; Mr. Patrick McGovern, H. M. Customs, presided.

CUBA AT DETROIT.

Detroit, Mich., May 16.—The steamer Cuba, of the Montreal Transportation Company, arrived in Detroit on her first trip of the season. She was inspected by the local steamboat inspectors at Stevenson's dock.

ALLAN LINE STEAMERS.

The SS. Mongolian, from Montreal and Quebec for Glasgow, arrived at Quebec at 4 p.m. yesterday.

APACHE LOSES PROPELLER.

New York, May 17.—With her propeller gone the Clyde steamer Apache from Charleston was towed into port to-day.

VICTORIAN'S RAPID TRIP.

Quebec May 17.—R.M.S. Victoria, Allan line, from Liverpool for Montreal inward at Cape Magdalen, 7.50 a.m., two hundred and ninety-two marine miles from this port.

NOTES.

The C.P.R. steamer Caronia, from Liverpool, arrived at New York yesterday. The Caronia, of the Allan line, sailed from Boston for Glasgow yesterday.

GULF REPORT.

Father Point—Clear, east wind; inward 1.30 a.m. Hektos. Little Matie—Inward, 9 a.m.; Campana, Matane—Inward 3.30 a.m.; Nyseas, 8 a.m.; two-masted Black Diamond steamer, Cape Magdalen—Inward 8 a.m.; Latonia and Victorian.

FINANCIAL

MORNING CALL.

Table with columns for Stock Name, Price, and other financial data. Includes items like B.N. & A., Com. ex rd, Dom. ex rd, etc.

ADVANCE IN ROLLED OATS

It is reported to-day that, following the lead set by the majority of the largest milling concerns in Ontario, manufacturers of rolled oats have declared a general advance in prices of 3c to 3 1/2c per barrel, or 10c to 15c per bag. This will make the price \$2.06 to \$2.10 per 90 pounds in wholesale lots, and small parcels will be retailed at \$2.35 to \$2.50.

This move is made in sympathy with the advance in the market for the coarse grain. Dealers do not look for any falling off in trade due to the higher price, for, with the exception of some speculative buying when an advance is anticipated, the demand for rolled oats is generally about equal to the consumption, and therefore will not be affected by market fluctuations.

Trade has been brisk for some time, as many buyers were expecting this advance, and quite a few carload lots have been placed during the past couple of weeks, which will have to be delivered at the prices in force at the time the order was given.

COUNTRY PRODUCE

There is no change in the situation on the egg market, and prices are holding steady on a good demand. The receipts are about up to the average, but there is no accumulation of stocks to cause an easier feeling on the market. Single case lots are selling at 16 1/2c to-day, and wholesale quantities bring 15 1/2c to 16c.

Maple products are quiet, and stocks are considerably in excess of the requirements of the trade. Sugar is selling at 8c to 10c per pound, and syrup at 6c to 6 1/2c per pound in bulk, and 6c to 6 1/2c per pound in tins.

Bean growers are asking \$1.60 per bushel in the west for one pound pickers, and dealers on this market have had to advance the price of small lots to \$1.70 per bushel.

RAIL AND CANAL RECEIPTS.

Table with columns for Commodity, Quantity, and Price. Includes Wheat, Corn, Oats, Flour, etc.

PRINCE ARTHUR HOME

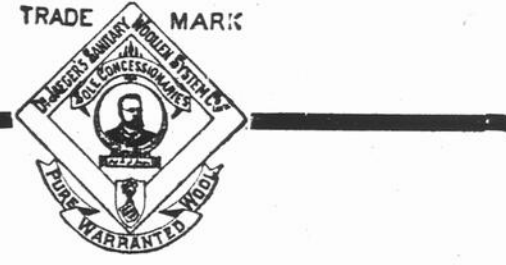
HAD A SPEEDY PASSAGE ON THE S.S. 'VIRGINIAN.'

The R. M. S. 'Virginian,' of the Allan line, with H. R. H. Prince Arthur on board, was reported at 9:30 o'clock this morning to be sixty miles west of Main Head. She left Rimouski on Friday morning, May 11. Her trip has been an unusually fast one, and she should be able to maintain her rate of speed. Liverpool will be reached to-morrow morning.

FOR SALE, SUMMER RESIDENCE, ON the lake front at Strathcona. Five minutes' walk from the G.T.R. station. House contains seven bedrooms, bathroom and all city conveniences. Everything in perfect condition. Possession may be had at once. Property may be inspected on application. W. E. VOYNE, real estate manufacturer, Life Ins. Co., 203 St. James street, city.

WANTED, STRONG BOY, SPEAKING both languages, with good handwriting. Apply to THOS. MAY & CO., 10 St. Helens street.

WANTED, A TEACHER IN THE elementary department. Model School, Verdun. One with a Model School diploma preferred. Signed, F. G. GALE, School Manager.



For Health and Summer Comfort.

A damp hot atmosphere is always the most oppressive. Then why surround your skin with a layer moist hot air by wearing garments that absorb and retain the body's moisture. 'Jaeger' Pure Wool is the least absorbent of all fibres, and the open nature of Jaeger Underwear allows the perspiration to escape rapidly, which makes Jaeger Underwear the coolest, safest and most comfortable wear for summer.

Made in all sizes, styles and weights for Ladies, Gentlemen and Children. Write for Catalogue No. 41. Dr. Jaeger's Sanitary Woollen System Co., Ltd., 2206 ST. CATHERINE STREET, MONTREAL.

FINANCIAL AND COMMERCIAL

UNDERTONE STRONG

Market Irregular, However, with Operators Idly Watching Drift of the Tide

COMMON ROSE A POINT, TORONTO AND MONTREAL RAILS WERE STEADY.

Exchange value of £1 sterling to-day is 84.84 to 84.85.

Market prices on the New York market this morning moved sluggishly, and for the most part to a higher level.

The local market opened dull with a stronger undertone developing in a few of the stocks that have not been conspicuous during the past few weeks.

The annual meeting of the shareholders of the Imperial Bank of Canada will be held in Toronto on Wednesday, May 22.

Bank of England rate unchanged at 4 percent.

The annual general meeting of the shareholders of the Sovereign Bank will be held in Toronto on June 12, at noon.

Notices of the Ogilvie and the Lake of the Woods dividends are elsewhere on this page.

MORNING EXCHANGE SALES. C.C. Cotton—20 at 45, 30 at 50. Sovereign Bank—100 at 104 1/2, 100 at 141. Bank of Montreal—25 at 25 1/2, 20 at 25 1/2.

A GOOD REPORT

Every Advice From Extensive Wheat Area is Satisfactory

Calgary, Alta., May 16.—The crop report issued to-day by Mr. Jamieson, general superintendent of the Western division of the C.P.R., reports all crops doing excellently.

CORRESPONDENCE.

F. Y. & Co., St. Paul, Minn.—The imports into Canada from Great Britain and the United States, separately, in 1905, 1900 and 1905, and the exports from Canada to these two countries for the same years are shown in the following tables:

Table with columns for Exports and Imports, showing values for Great Britain and United States for the years 1905, 1900, and 1905.

SUGAR REDUCED. New York, May 17.—All grades of refined sugar were reduced ten cents a hundred pounds to-day.

BOARD OF TRADE

Oversea Mail Service, Provincial Subsidies and Commercial Delegations Discussed at Council Meeting

In the matter of the council's petition to the Governor-General-in-Council, praying for an increase in the provincial subsidies, the Secretary of State had written, stating that the document had been forwarded to the Privy Council for its consideration.

The council was quite willing that its delegates should meet the other delegates, but as the board's resolution on this subject was adopted at a special general meeting, the delegates would be precluded from departing from the spirit of that resolution.

The chairman, Mr. George Caverhill, who presided in the absence of the president, Mr. F. H. Mathewson, congratulated Mr. Bogert, on behalf of the council, upon his promotion to general manager of the Dominion Bank, but expressed the regret of the members that it involved the severance of his connection with the council.

The following were admitted to membership on the board: Mr. Wm. Blair, of the Robert Reford Company; Mr. A. B. Mackay, of Messrs. R. O. & A. B. Mackay, Hamilton; the Canadian Northern Railway, represented by Mr. F. A. Shaw; Mr. Edward J. Cornish, president of the Carter White Lead Company of Canada; Charles T. Higgins, of the Hudson Bay Knitting Company; Mr. Stewart Munn, of Messrs. Stewart Munn & Co., and the Hon. Wm. Owens.

CATTLE IN ENGLAND

(Canadian Associated Press.) London, May 17.—The first consignment of Canadian cattle direct to Great Britain arrived yesterday. The price of each average from £19 to £20 per head.

MONTREAL WHOLESALE PRICES

FLOUR—Manitoba spring wheat patents, \$4.00; strong bakers, \$4.10; winter wheat patents, \$4.20 to \$4.40; and straight rollers, \$3.90 to \$4.10 in wood; in bags, \$1.85 to \$1.95; extra, in bag, \$1.35 to \$1.50. ROLLED OATS—\$2.10 to \$2.15 in bags of 55 lbs. CORNMEAL—\$1.35 to \$1.40 per bag; branulated, \$1.05. MILLFEED—Ontario bran in bulk, \$20; shorts, in bags, \$20 to \$20.50; Manitoba bran in bags, \$19; shorts, \$20. HAY—No. 1, \$9.50 to \$10 per ton on track; No. 2, \$8.50 to \$9; clover, \$6; clover mixed, \$6.50. OATS—No. 2, 4 1/2% per bushel; No. 3, 4% per bushel. PEAS—Bolling in car load lots, \$1.05 to \$1.10 per bushel. POTATOES—5c to 7c per bushel. BEANS—Prime pea beans, \$1.70 per bushel; hand picked, \$1.80 per bushel. HONEY—White clover in comb, 13c to 14c; buckwheat, 10c to 11c per pound section; extract, 7c to 7 1/2c; buckwheat, 5 1/2c to 6c per pound. MAPLE SYRUP—60c to 65c per lb. tin; maple sugar, 8 1/2c to 9c per pound. PROVISIONS—Barrels heavy Canada short cut pork, \$23.00; light short cut, \$21.50; barrels clear fat back, \$22.50; compound lard, 7 1/2c to 8c; Canadian pure lard, 11 1/2c to 12c; kettle rendered, 12 1/2c to 13c; tallow, 13 1/2c to 15c, according to size; breakfast bacon, 17c to 18c; Windsor bacon, 15 1/2c to 16c; fresh killed abattoir dressed hogs, \$10.25; alive, \$7.50 to \$7.75 per hundred. EGGS—New laid, 15 1/2c to 16 1/2c per dozen. BUTTER—Choice creamery, 20c to 20 1/2c. CHEESE—Colored, 10 1/2c to 11 1/2c; white 11 1/2c to 12c. ASHES—First pots, \$5.25 to \$5.37 1/2; second, \$4.75; third, \$3.70; pearle, \$5.50 to \$5.75 per hundred pounds.

TORONTO MARKETS

Toronto, Ont., May 17.—Flour—Ontario, firm, exporters bidding \$3.15 for 90 percent patents, buyers' bags, outside; first patents \$4.20 to \$4.50, and second, \$3.90 to \$4. There were no sales on the local board to-day. Wheat—Ontario, No. 2 white, 81c bid outside; red 81c bid; mixed, 81c bid. Wheat—Manitoba, No. 1 northern, 85c asked; Point Edward, No. 2 northern, 81 1/2c asked; Point Edward, 82c bid. Oats—3c asked outside, 35c bid. Peas—3c asked outside, 8 1/2c bid C.P.R. or G.T.R.

THE OGILVIE FLOUR MILLS COMPANY, LTD. DIVIDEND NOTICE.

Notice is hereby given that a distribution of one and three-quarters percent, being the Quarterly Dividend on the Cumulative Preferred Stock of THE OGILVIE FLOUR MILLS COMPANY, LIMITED, has been declared payable on FRIDAY, the first day of June, 1906, to Shareholders of record at the close of business on the 15th day of May, 1906.

LAKE OF THE WOODS MILLING CO. LIMITED. DIVIDEND NOTICE.

Notice is hereby given that a distribution of 1 1/2 percent, being the quarterly dividend on the Accumulative Preferred Shares of Lake of the Woods Milling Company, Limited, has been declared payable to shareholders of record at the close of business on the 15th day of May, 1906. The Transfer Books will be closed from May 21st until May 31st, both days inclusive. By order of the Board. SHIRLEY OGILVIE, Secretary. May 15th, 1906.

Foreign Banking Service

The extensive foreign connections of The Sovereign Bank of Canada give Importers, Exporters and Manufacturers exceptional facilities for the quick and satisfactory dispatch of foreign business.

SAVINGS DEPARTMENTS THE BANK THAT PAYS INTEREST 4 TIMES A YEAR. AT ALL BRANCHES.

The Sovereign Bank of Canada

MAIN OFFICE—252-258 St. James Street. UPTOWN BRANCH—2808 St. Catherine St., cor. of Guy St.

LA BANQUE NATIONALE

Forty-Sixth Annual Statement 1906.

The forty-sixth annual general meeting of the shareholders of this institution was held at the office of the bank on Wednesday, the 16th of May, 1906, at three o'clock p.m.

There were present—Messrs. Rodolphe Audette, Hon. Judge A. Chauveau, Narcisse Rioux, Victor Chateaubert, Nazaire Portier, Victor Lemieux, J. B. Laliberté, Rev. Canon P. N. Thivierge, Rev. J. Tancrède Paquet, Rev. F. Cléophas Gagnon, Rev. S. J. Lecours, Geo. Demers, E. Thomas Gouillard, Charles John, Joseph Huard, Joseph Garneau, Joseph H. Simons, Elzéar Labrecque, M.D., J. Ernest L'Arrière, N.P., Marcellin J. Pettigrew, Ferd. Nadeau, Thomas Breen, Charles A. Chauveau, N.P., Charles Grenier, N.P., H. Octave Roy, Joseph Chapleau, Cha. A. Lafevre, Jas. McConne, C. Narcisse Hamel, Frs. Deslisle, Cyrille LeChasseur, Ton. Amédée Robitaille, Cyprien Labrecque, N.P., Neville Bellou, etc., etc.

Mr. Rodolphe Audette was called to the chair and Mr. P. Lafrance was required to act as secretary.

Before proceeding to the reading of the annual report, the following gentlemen were elected scrutineers, viz.: Charles Grenier, N.P., Charles A. Chauveau, N.P., Marcellin J. Pettigrew. The president read the following report of the affairs of the bank: Gentlemen—Your Directors have the honor of submitting you the forty-sixth annual report of the operations of La Banque Nationale for the year ending 30th April, 1906, with usual statement of assets and liabilities.

The Profit and Loss Account stands as follows, say: By balance to credit of Profit and Loss on 23rd April, 1905 \$83,166.26 By profits of the year, after providing for accrued interest on deposits, and for bad and doubtful debts \$195,753.80

Forming a total of \$278,920.06 Which was appropriated as follows: Dividend No. 32, 3 percent, payable 2nd November, 1905 \$45,000.00 Dividend No. 33, 3 percent, payable 1st May, 1906 \$45,000.00

Rebate of interest on Bills Discounted \$40,000.00 Transferred to Ret. Account \$100,000.00 Leaving a balance at credit of Profit and Loss account of \$48,920.06

During the year branches have been opened at St. Francois du Lac and at Rivière-du-Loup. All the branches have been carefully inspected in the course of the year, and we have remarked everywhere a satisfactory increasing amount of business.

GENERAL STATEMENT. 30th April, 1906.

LIABILITIES. Notes in circulation \$1,477,140.00 Deposits bearing interest \$6,311,165.42 Deposits not bearing interest \$1,451,562.83

Unclaimed Dividends 266.78 Dividend No. 33, payable 1st May, 45,000.00 Due to other Banks in Canada 72,878.47

Total Liabilities to the public \$9,295,690.87 Capital paid up \$1,600,000.00 Reserve Fund 600,000.00

Assets. Specie \$7,400.89 Dominion Notes 524,175.50 Notes of and Cheques on other Banks in Canada 512,107.59

Deposits with Dominion Government for security of Note circulation 75,000.00

LONDON WOOL SALES. London, May 16.—The offerings at the wool auction sales to-day amounted to 14,000 bales. Merinos in fine condition sold 6 1/2c.

We Loan Money at the Lowest Rates in The City

On household furniture, pianos, organs, horses and carriages, without publicity or removing the goods. We loan in sums from \$10 to \$1,000 from 1 to 15 months. We give liberal discount, if paid before due. Your dealing with us is strictly private, as we know you would wish, by courteous treatment and Fair, Honest Dealings, we are gaining new customers every day. You should be among them. Call and investigate. We will be pleased to talk the matter over with you, or telephone us Bell 2811 Main, and we will send one of our agents to see you.

MONTREAL LOAN & BROKERAGE CO., Room 204 New York Life Building, 208 St. James Street and Place d'Armes square. CHARLES E. CAMPBELL, Mgr.

MARRIAGE LICENSES MONEY TO LEND. CUSHING & BARRON

Notaries and Commissioners. Liverpool & London & Globe Insurance Building. 112 St. James Street.

MARRIAGE LICENSES ISSUED, INSURANCE PLACED.

Representing CANADA LIFE, LONDON & LANCASHIRE FIRE. Evenings 7 to 10. WILLIAM P. RANSOM, 226 Elm Avenue, Westmount.

W. J. HASTINGS

ELECTRICAL CONTRACTOR, 798 Dorchester Street

MARRIAGE LICENSES ISSUED BY JOHN M. M. DUFF, 107 St. James Street, 49 Crescent Street

A Real Health Food, "GOLDEN WHEAT" BREAD.

PHONE US FOR A TRIAL LOAF. R.S. AULD, 537 St. Antoine, cor. Atwater Ave. TEL. MOUNT 13.

HOUSECLEANING BRUSHES

Of Every Description, at Factory Prices. ULLEY'S BRUSH WORKS, 78-Victoria Square-78. Carpet Sweepers Repaired. Tel. M. 2740.

A. HODINA, Practical Shoe Maker, Repairs Boots, Shoes and Rubbers. Main 5061, 4 BEAVER HALL HILL.

THE HALL ENGINEERING WORKS

Engineers, Boiler-makers, Brass & Iron Founders, Oppenhamites & Blacksmiths. 25 COTE STREET, Montreal. THOMAS HALL, M.E. & C.E.I.

JACKSON & CO., CARPENTERS, BUILDERS AND CONTRACTORS.

Valuations made. Jobbing promptly attended to. 429B to 325 HIBERNIA ROAD. Tel. Main 4153.

Professional ADVOCATES, BARRISTERS, &c.

HENRY J. ELLIOTT, B.C.L., ADVOCATE, BARRISTER AND SOLICITOR, Commissioner for all the Provinces, New York and Massachusetts. CANADA LIFE BUILDING. 189 St. James St., Montreal. Tel. Main 3960.

PATTERSON & BROWN, Advocates, Barristers & Solicitors.

TEMPLE BUILDING, 185 St. James St., Montreal. W. PATTERSON, M.A., L.L.B., E.N. BROWN, B.A., B.C.L. Tel. Main 3960.

MACLENNAN & MEAGHER, Advocates, Barristers and Solicitors.

New York Life Building, Montreal. F. S. MACLENNAN, B.C. J. J. MEAGHER.

SMITH, MARKEY, MONTGOMERY & SKINNER

ADVOCATES, BARRISTERS, &c. TEMPLE BUILDING, 185 ST. JAMES STREET. ROBT. C. SMITH, K.C. FRED. H. MARKEY GEO. H. A. MONTGOMERY WALDO W. SKINNER.

PATENT ATTORNEYS.

PATENTS PROMPTLY SECURED

We solicit the business of Manufacturers, Engineers and others who realize the advisability of having their Patent business transacted by Experts. Preliminary advice free. Charges moderate. Our Inventor's Adviser sent upon request. Martin & Marion, New York Life Building, Montreal; and Washington, D.C., U.S.A.

PATENTS THAT PROTECT. FETHERSTONHAUGH & CO.

CHARLES W. TAYLOR, B. Sc., is Examiner Canadian Patent Office. Canada Life Building, Montreal.

OWEN N. EVANS

PATENTS AND TRADE MARKS Merchants Bank Building, Montreal.

FROM 'WITNESS' FILES
Of Three Periods a Score of
Years Apart.

1846---1866---1886.

SIXTY YEARS AGO.

Her Majesty Queen Victoria and Prince Albert examined with much interest the first production of a wonderful shawl loom. It was constructed by Mr. Robert Kerr, of Paisley, and was constructed that one man could weave two shawls at the same time. Her Majesty gave her patronage to the new manufacture by purchasing both the specimens submitted.

FORTY YEARS AGO.

The United States Congress adopted a resolution prohibiting the sale of liquor in the Capitol. In presenting the resolution in the Senate, one member said that during the past few years the employees of the Capitol had been taxed to keep members of Congress in whiskey. Whiskey had been kept in committee rooms and other parts of the building for the accommodation of the members, and it was high time the evil should be abated. Another member said he had known two boys who were employed as pages to be sent home drunk consequent upon the temptation to drink. The resolution was adopted by a vote of 33 to 2.

The congregation of St. Paul's Church (Presbyterian) of this city, then worshipping on St. Helen street, bought the lot on the east corner of Dorchester and St. Monique streets, and proceeded to erect the present edifice.

TWENTY YEARS AGO.

Four prisoners escaped from the Sherbrooke Jail. One of them feigned sick. While one of the keepers was at church with the Reformatory boys, another went in to give the supposed sick man medicine, when he was overpowered by three or four others, who tied and gagged him, took his keys and made good their escape. They were seen by some women, who thought they were workmen going to the woods, as they had with them a bag containing provisions, which they had secured from the cook-room. They wore their own clothes in the prison, and so were not easily detected.

NEW
TELEPHONE DIRECTORY.

The Bell Telephone Company of Canada, Limited,
IS ABOUT TO ISSUE A

NEW SUBSCRIBERS' DIRECTORY
For the CITY OF MONTREAL
and Suburbs.

Orders for New Connections, Changes of Firm Names, Changes of Street Addresses, or orders for Duplicate Entries, should be handed in at once to ensure their appearance in the New Book.

D. C. DEWAR,
Local Manager.
Montreal, May 3rd, 1906.

GOVERNMENT NOTICE.

AUTOMOBILE, &c., LAW.
(6 Edward VII., Chapter 13, Quebec.)

All persons manufacturing, dealing in, owning or operating any automobile, motor cycle or other motor vehicle within the District of Montreal, are hereby notified to call upon the undersigned without delay and obtain the necessary certificates, licenses, etc.

Application forms furnished on request. Failure to comply with the law promptly will render parties interested liable to prosecution without further notice.

SETH P. LEET,
Collector Provincial Revenue,
63 St. Gabriel street, Montreal.

STEAM USERS

Insure your Boilers in THE BOILER INSPECTION & INSURANCE CO., OF CANADA.

Our regular INSPECTIONS AND ADVICE will guarantee you SAFETY, DURABILITY AND ECONOMY.

Plans and Specifications for Boilers, Boiler Settings, Chimneys, etc., furnished.

OLAF E. GRANBERG, Chief Inspector
Prov. Que.

Summer Resorts

THE IRVING Old Orchard
Beach, Maine.

Directly on Beach. Prices moderate. Convenient to everything. Booklets.

Mrs. L. A. GOOGINS, Prop.

OTTAWA HOUSE
CUSHING'S ISLAND, Me.

Entirely refurbished, new plumbing, unlimited supply of pure water from artesian well, under new management. Will open June 25th. Address, CHARLES E. DAVIDSON, Proprietor, Cushing's Island.

MINTO HOUSE—St. Adolphe de Howard, Co. Argenteuil, Que.
First Class Private Temperance Boarding House, six miles from Ste. Agathe. Home comforts. Excellent cooking; good bedding. Terms moderate. Address: PHILIP B. GILES, Proprietor.

Avoid
Appendicitis

It is caused by the clogging of the bowels and intestines. Keep the digestion active, the stomach right, the bowels healthy and open with

Beecham's
Pills

Sold Everywhere. In boxes 25 cents.

PUBLIC NOTICE is hereby given that under The Companies' Act, 1902, Letters Patent have been issued under the Seal of the Secretary of State, bearing date the fourth day of May, Nineteen Hundred and Six, incorporating RALPH L. SHAIN-WALD, Manufacturer, of the City of New York, one of the United States of America; LOUIS C. RUGEN, Manufacturer, of Bound Brook, in the State of New Jersey, one of the said United States of America; DAVID W. LOCKERBY, Manufacturer; ALLAN R. OUGHTRED, Advocate, and EDSON G. PLACE, Advocate, all of the City of Montreal, in the Province of Quebec, for the purpose of:—

(a) To manufacture, produce, and otherwise prepare, to buy or otherwise acquire, sell, store, transport, dispose of and deal generally in:—(1) Roofing, flooring, paints, varnishes, papers, fabrics of felt, paper and canvas of every description, treated and untreated, insulating material of all kinds, and all articles and things used in the manufacture and working thereof, and any and all other merchandise and commodities of whatsoever nature and character; (2) Any and all materials, machinery, appliances, products and supplies proper or adapted to be used in or in connection with or incidental to the manufacture, production or preparation of any of the articles, merchandise and commodities aforesaid, and also any and all commodities and things which result from or are by-products of the manufacture, production or preparation of roofing, flooring, paints, varnishes, papers, fabrics of felt, paper, canvas and insulating materials of all kinds, or other merchandise or article, or in the manufacture, production or preparation of which any of the said articles may be a factor or an ingredient, or of which the same may be a component part.

(b) To engage in any other manufacturing, warehousing, trading or selling business of any kind or character whatsoever, which may be conveniently combined or carried on with the foregoing.

(c) To act as agents for any individual or company carrying on a business similar to the above.

(d) To acquire, dispose of, lease and utilize, in the manner and to the extent permitted by law, lands, mills, warehouses, plants, and other buildings and structures, machinery, supplies, and any and all articles and property including good-will, which the company may deem to be necessary or convenient to the attainment or furtherance of any of its objects.

(e) To purchase and hold or otherwise acquire, or be interested in, and to sell, assign, pledge or otherwise dispose of the stock, bonds or other evidence of indebtedness of any company carrying on business of a similar nature, and to exercise all the rights of a holder of such stock or bonds; (f) To amalgamate with any person, persons or company carrying on any business of a similar nature, subject to the provisions of The Companies' Act, 1902, for increasing the capital stock of the company, and to purchase and acquire any business of a similar nature, and to purchase and acquire any interest or control in any business of a similar nature, and to pay for same in cash, bonds or paid-up stock of this company;

(g) To apply for, obtain, register, lease or otherwise acquire, and to hold, use, operate, sell, assign or otherwise dispose of, any trade marks, trade names, patents, inventions, improvements or processes pertaining to the business of the company;

(h) To carry on in as far only as the same is necessary for the purposes of the company the business of carters, forwarders, movers and deliverers, and for that purpose to own, lease, and operate all vehicles, whether land or water, electric or otherwise, and all equipment necessary thereto.

The operations of the Company to be carried on throughout the Dominion of Canada and elsewhere, by the name of "THE STANDARD PAINT COMPANY OF CANADA" (Limited), with a total capital of One Hundred and Fifty Thousand Dollars, divided into Fifteen Hundred shares of One Hundred Dollars each.

DATED at the office of the Secretary of State of Canada, this fourth day of May, Nineteen Hundred and Six.

R. W. SCOTT,
Secretary of State.

PUBLIC NOTICE is hereby given that under The Companies' Act, 1902, Letters Patent have been issued under the Seal of the Secretary of State, bearing date the twenty-fifth day of April, Nineteen Hundred and Six, incorporating ALLAN R. OUGHTRED, Advocate and King's Counsel; MICHAEL A. PHELAN, Advocate; EDSON G. PLACE, Advocate; SAMUEL C. MARSON, BARRISTER; and HARRY McARTHUR, Book-keeper, all in the City of Montreal, in the Province of Quebec, for the purpose of:

(a) To carry on the business of buying, selling all kinds of crockery ware, glassware, earthen ware, household utensils and house furnishings and supplies;

(b) To acquire by lease, purchase or otherwise the necessary premises to carry on their business;

(c) To acquire in whole or in part by purchase or in any other manner the business of similar companies and to issue in payment thereof paid-up shares or other securities of the company;

(d) To amalgamate with any other company engaged in a similar business, to lease or sell the whole or any part of the assets of the company and to accept in payment thereof shares or other securities; The operations of the Company to be carried on throughout the Dominion of Canada and elsewhere, by the name of "THE MONTREAL CROCKERY COMPANY" (LIMITED), with a total capital stock of twenty thousand dollars divided into two hundred shares of one hundred dollars each.

DATED at the office of the Secretary of State of Canada, this twenty-fifth day of April, Nineteen Hundred and Six.

R. W. SCOTT,
Secretary of State.

INTERCOLONIAL
RAILWAY

BOVAVENTURE UNION DEPT
VICTORIA DAY, May 24, 1906.

Round trip tickets will be sold to all stations on this Railway
AT ONE WAY FIRST CLASS FARE.
Good going May 23rd and 24th and return until May 25th, 1906.

Canada's Famous Train
THE MARITIME EXPRESS.

Leaves Montreal at 12 NOON daily, Saturday excepted, for Levis, Riviere du Loup, Campbellton, Moncton, St. John, Halifax, The Sydney, and intermediate points.

GASPE AND BAY CHALEUR.
Navigation now open. Passengers leaving Montreal by the Maritime Express at 12 noon, Tuesdays and Fridays, will connect at Campbellton with S.S. Lady Ellean.

MONTREAL-ST. JOHN SLEEPING CAR.
Sleeping car is attached to Maritime Express train leaving daily at 12 o'clock noon.

QUEBEC SERVICE.
Trains leave Montreal at 7.40 a.m. and 3.50 p.m. daily, except Sunday, and at 12 NOON daily, except Saturday.

'OCEAN LIMITED', 'TRAIN DE LUXE'
Between Montreal, St. John, and Halifax, will start on the 23rd June, to continue until September, and the special car for Metapedia on the 1st June.

ENGLISH MAIL TRAIN
Leaves Montreal at 7.45 p.m. Thursdays, making direct connection at Rimouski with Royal Mail Line Steamers for Liverpool.

CITY TICKET OFFICE.
St. Lawrence Hall—141 St. James street, or Bonaventure Depot. Tel. Main 616.

INTERCOLONIAL RAILWAY.
TENDER FOR STATION.

Sealed Tenders, addressed to the undersigned and marked on the outside "Tender for Station at Chaudiere," will be received up to and including

WEDNESDAY, MAY 23rd, 1906,
for the construction of a Station Building at Chaudiere, P.Q.

Plans and specification may be seen at the Station Master's Office, Levis, P.Q., and at the office of the Chief Engineer, Montreal, N.B., where forms of tender may be obtained.

All the conditions of the specification must be complied with.

D. POTTINGER,
General Manager.
Railway Office,
Moncton, N.B.,
9th May, 1906.

SYNOPSIS OF CANADIAN NORTH-WEST
HOMESTEAD REGULATIONS.

ANY even numbered section of Dominion Lands in Manitoba or the North-West Provinces, excepting 3 and 26, not reserved, may be homesteaded upon by any person who is the sole head of a family, or any male over 18 years of age, to the extent of one-quarter section, of 160 acres, more or less.

Entry must be made personally at the local land office for the district in which the land is situate.

HOMESTEAD DUTIES: A settler who has been granted an entry for a homestead is required to perform the conditions connected therewith under one of the following plans:

(1) At least six months' residence upon and cultivation of the land in such year during the term of three years.

(2) If the father (or mother, if the father is deceased) of any person who is eligible to make a homestead entry under the provisions of this Act, resides upon a farm in the vicinity of the land entered for by such person as a homestead, the requirements of this Act as to residence prior to obtaining patent may be satisfied by such person residing with the father or mother.

(3) If the settler has his permanent residence upon farming land owned by him in the vicinity of his homestead, the requirements of this Act as to residence may be satisfied by residence upon the said land.

APPLICATION FOR PATENT should be made at the office of the Chief Engineer, the Local Agent, Sub-Agent or the Homestead Inspector.

Before making application for patent the settler must give six months' notice in writing to the Commissioner of Dominion Lands at Ottawa, in the Province of Quebec.

Coal.—Coal lands may be purchased at \$10 per acre for soft coal and \$20 for anthracite. Not more than 320 acres can be acquired by one individual or company. Royalty at the rate of ten cents per ton of 2,000 pounds shall be collected on the gross output.

Quartz.—A free miner's certificate is granted upon payment in advance of \$5 per annum for an individual, and from \$50 to \$100 per annum for a company, according to capital.

A free miner, having discovered mineral in place, may at a claim 1,500 x 1,500 ft. The fee for recording a claim is \$5. At least \$100 must be expended on the claim each year or paid to the mining recorder in lieu thereof. When \$500 has been expended or paid, the locator may, upon having a survey made, and upon complying with other requirements, purchase the land at \$1 an acre.

The patent provides for the payment of a royalty of 2 1/2 per cent on the sales. PEACTION mining claims generally are 100 feet square, entry fee \$5, renewable yearly. A free miner may obtain two leases to dredge for gold of five miles each for a term of twenty years, renewable at the discretion of the Minister of the Interior. The leases shall have a definite life in operation within one season from the date of the lease for each five miles. Rental, \$10 per annum for each mile of river leased. Royalty at the rate of 2 1/2 per cent collected on the output after it exceeds \$10,000.

Deputy of the Minister of the Interior, N.B.—Unauthorized publication of this advertisement will not be paid for.



DOMINION LINE
STEAMSHIPS

MONTREAL to LIVERPOOL
SOUTHWARK May 12
CANADA May 19
KENSINGTON May 26
OTTAWA June 2

FIRST CLASS, \$70.00-\$75.00, according to steamer.
MODERATE RATE SERVICE.
On steamers carrying only one class of Cabin passengers (Second Class), to whom is given the accommodation situated in the best part of the steamer.

Third Class passengers booked to principal points in Great Britain at \$27.50, berth-d in 2 and 4 berth rooms.

For all information, apply to Local Agents, or to
DOMINION LINE,
17 St. Sacramento Street, Montreal.

FOR THE WINTER BERMUDA
G. T. O.
From Montreal, Mondays, from New York 48 hours by elegant new steamship "Beraudica," 5,500 tons. Sailings from New York every 10 days.

FOR WINTER WEST INDIES
TOURS GO TO
20 days' trip, twenty days in the tropics, St. Thomas, St. Croix, St. Kitts, Antigua, Guadeloupe, Dominica, Martinique, St. Lucia, Barbados and Demerara. Tickets for sale at all Principal Ticket Offices. For further particulars, apply to A. E. OUTHRIE & CO., Agents for Quebec, 88, Co. St. Broadway, New York, or J. G. BROOK & Co., all Commissioners at Montreal. ARTHUR AHERN, Secretary, Quebec.



LOW
RATES

Victoria Day

TO ALL POINTS ON
THE LINE AT . . .
SINGLE First Class FARE

Good going May 23 and 24. Good for return until May 25th, 1906.

MONTREAL-QUEBEC LINE—Steamers
daily from 24th May, at 7 p.m. leave
SAGUENAY LINE—7 days and Saturdays,
at 8.30 a.m.

MONTREAL-HAMILTON LINE—
On Mondays, Wednesdays and Fridays,
at 2.30 p.m.

OTTAWA RIVER
NAV. CO.

MAIL LINE STEAMERS
BETWEEN
Montreal and Ottawa

will begin daily trips
TUESDAY, 22nd MAY.

Passengers will take the 8 a.m. train for Lachine to connect with STR. DUCHESNE OF YORK.

HEAD OFFICE: 165 Common St.
Tel. Main 1029.

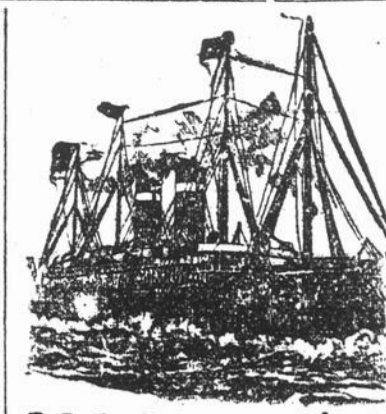
The original and only genuine
Bider & Ericsson
HOT AIR
PUMPING
ENGINE.



Over 30,000 in Use.
I. sold only by
R. H. BUCHANAN & CO.,
234 Craig Street West, Montreal,
CANADIAN AGENTS.

Every Engine Fully Guaranteed,
SEND FOR CATALOGUE.

BUSINESS CARDS
—AND—
COMMERCIAL PRINTING
OF ALL KINDS NEATLY DONE,
At the 'Witness' Office,
JOB DEPARTMENT.



ALLAN LINE
LIVERPOOL VIA NOVILLE.
ROYAL MAIL SERVICE.

From Liverpool. From Montreal. From Quebec.
10 May—VICTORIAN 21 May 4 a.m. 1 p.m.
17 May—IONIAN 31 May 6 a.m. 6 p.m.
24 May—VIRGINIAN 7 June 3 a.m. 1 p.m.

It is to be noted that the Allan Line steamers sail from Montreal, and the hour of sailing has been arranged so as to give the passenger a view of the noble St. Lawrence by daylight. The trip down is a moving panorama the whole way.

TUNISIAN'S record passage Rimouski to Montreal, in 6 days 5 hours.
VIRGINIAN'S record passage Montreal to Rimouski in 5 days 20 hours.

VIRGINIAN and VICTORIAN are the largest, finest, and fastest pair of Turbine steamers in the world. The engines of His Majesty's yacht and the battleships ever constructed, are after the same design as VIRGINIAN and VICTORIAN. Their great merit being absolute freedom from vibration.

Midship saloons, spacious promenade decks, electric lights throughout.
FIRST-CLASS \$70 and up.
SECOND-CLASS, Liverpool, London, etc., \$42-50 and up. Return tickets at reduced rate.

THIRD-CLASS Liverpool, London, etc., Belfast, \$27.50, and \$27.75, according to steamer.
MONTREAL TO GLASGOW.
Corinthian 23 May 4 p.m. 6 June
Scythian 30 May 11 a.m. 13 June

ATLANTIC STEAMSHIPS
OF THE CANADIAN PACIFIC RY.
ROYAL MAIL SERVICE
—FINEST AND FASTEST—
"EMPRESSES"

MONTREAL, QUEBEC and LIVERPOOL.
May 19, Sat. Empress of Britain
May 24, Thur. Lake Champlain
May 31, Thur. Lake Erie
June 14, Thur. Lake Manitoba
June 23, Sat. Empress of Britain
June 30, Sat. Lake Champlain
July 7, Sat. Empress of Ireland
July 12, Thur. Lake Erie

MONTREAL TO LONDON DIRECT.
May 20, Montreal, (One Class) \$40.00
May 27, Mount Temple (Third Class) 25.50
June 17, Lake Michigan (Third Class) 26.50
July 1, Montreal (One Class) 40.00
July 8, Mount Temple (Third Class) 25.50
S.S. Lake Champlain and Lake Erie carry only One Class of Cabin passengers (Second Class) to whom is given the accommodation situated in the best part of the steamer at \$42.50 and \$45.00.

Lake Manitoba—1st, \$65.00 and upwards; 2nd, \$40.00.
Empresses—1st, \$80.00 to \$500.00; 2nd, \$45.00 and \$47.00; 3rd, \$23.75.
Board of Trade Building, St. Sacramento St.

Reford Agencies.

DONALDSON LINE GLASGOW
WEEKLY SERVICE.
FROM MONTREAL.

S.S. ATHENIA (Cold Storage) May 17
S.S. KASTALIA (Cold Storage) May 24

THOMSON LINE LONDON
WEEKLY SERVICE.
FROM MONTREAL.

S.S. DEVONA May 19
S.S. LATONA May 26

All steamers fitted with cold storage and cool air.

ABERDEEN SERVICE.
LORD LINE TO CARDIFF.
LORD IVEAGH May 20
LORD SERVICE.
S.S. FREMONA May 30

THE ROBERT REFORD CO., Limited,
25 St. Sacramento street, MONTREAL.
WENTEN OFFICE,
Room 110, Union Station, TORONTO.

FURNESS, WITBY & CO.,
Limited.

PROPOSED SAILINGS.
MANCHESTER LINERS LIMITED,
CANADA AND MANCHESTER

From Montreal. From Montreal.
5 May—Manchester Importer May 20
12 May—Manchester Shipper June 2
24 May—Manchester Trader June 16
7 June—Manchester Commerce June 29
14 June—Manchester Importer July 7

Some of the above steamers have first-class accommodation for a limited number of passengers.
*Fitted with Cold Storage.
For further particulars apply to
FURNESS, WITBY & CO., LIMITED,
AGENTS MONTREAL.

Cement, Drain Pipes, &c

DRAIN PIPES,
PORTLAND CEMENTS,
AT LOWEST MARKET PRICES.

W. & F. P. CURRIE & CO.,
245 St. James Street

CANADIAN
PACIFIC
VICTORIA DAY

CHEAP TRIPS.

To Toronto \$10.00 Hamilton \$10.00
Ottawa 3.50 London 12.00
Quebec 2.55 Farnham 1.00
Sherbrooke 2.55 Farnham 1.00
St. John, N.B. 1.00 St. John, N.B. 1.00
St. Agathe 2.00 Labelle 2.00
Magog 2.75 Knowlton 2.75

and all other points, Fort William and East at.

LOWEST ONE WAY FIRST CLASS FARE
Good going May 23rd and 24th. Good for return until May 25th, 1906.

OTTAWA TRAINS.
LEAVE WINDSOR STATION
7.45 a.m., 9.40 a.m., 10.00 a.m.,
11.00 p.m., 9.40 p.m., 10.15 p.m.
Parlor or Sleeping Cars on above trains.

LEAVE PLACE VIGER
8.25 a.m., 10.45 a.m.
*Daily, *Daily except Sunday, \$200 days only.

MONTREAL-OTTAWA SLEEPING CAR.
Sleeping car is attached to train leaving Windsor Station daily at 10.15 p.m. At Ottawa, passengers for Montreal may board car any time after 9.00 p.m., and remain in sleeper until 9.00 a.m.

BROME LAKE SPECIAL.
WILL LEAVE MONTREAL
For St. John, Farnham, Knowlton, Cowansville and Sherbrooke.
(Windsor street) 1.40 p.m. Saturdays.
Return Mondays, arriving Montreal, 9.15 a.m., stopping at intermediate stations in both directions.

SUNDAY TRAIN FOR NOMING.
On Sunday, train May 20, and until further notice, train hereafter leaving Place Viger on Sunday only at 9.15 a.m. for St. Agathe and Labelle, will run through to Noming. Returning the train will leave Noming same day at 4.15 p.m. and arrive Place Viger at 9.30 p.m.

Home-seekers' Excursions.
COLONIST CLASS TO THE
CANADIAN NORTHWEST
JULY 3rd and 17th 1906

Winnipeg, Man. \$32.00 Brandon, Man. \$33.50
Moosehead, Man. 33.50 Moosehead, Sask. 34.75
Dorval, Man. 33.50 Lipton, Sask. 35.75
Lyleton, Man. 34.00 Regina, Sask. 35.75
Estevan, Sask. 35.00 Saskatoon, Sask. 37.25
Souris, Man. 33.50 Moosehead, Sask. 35.00
Arcola, Sask. 34.50 Pt. Albert, Sask. 35.00
Lenora, Man. 34.00 No. Battleford, 35.00
Minto, Man. 31.00 Macleod, Alb. 40.00
Blind Bay, Man. 34.50 Calgary, Alb. 40.50
Yorkton, Sask. 33.00 Red Deer, Alb. 41.50
Shebo, Sask. 33.50 Strathcona, Alb. 42.50
Proportionately low rates to other stations.
City Ticket Office: 137 St. James St.
Next Post Office.

GRAND TRUNK RAILWAY
SYSTEM

VICTORIA DAY
REDUCED FARES

To Quebec \$4.50 To Toronto \$10.00
Sherbrooke 3.35 Hamilton 10.65
Ottawa 3.50 London 12.00

And all other points in Canada and Return at
SINGLE FIRST CLASS FARE
Going Dates, May 23, 24,
Return Limit, May 25, 1906.

MONTREAL, OTTAWA, VALLEY-
FIELD.

Lve. MONTREAL, 8.40 a.m., 11.10 p.m., 7.10 p.m.
Arr. OTTAWA, 11.40 a.m., 17.10 p.m., 10.10 p.m.

Lve. OTTAWA, 8.30 a.m., 3.30 p.m., 10.00 p.m.
Arr. MONTREAL, 11.30 a.m., 6.30 p.m., 8.00 p.m.

Lve. MONTREAL, 8.40 a.m., 8.50 a.m., 11.10 p.m., 11.20 p.m., 11.30 p.m., 11.40 p.m., 11.50 p.m., 12.00 p.m., 12.10 p.m., 12.20 p.m., 12.3

HER LADYSHIP'S ELEPHANT.

BY DAVID DWIGHT WELLS.

(Published by Special Arrangement.)

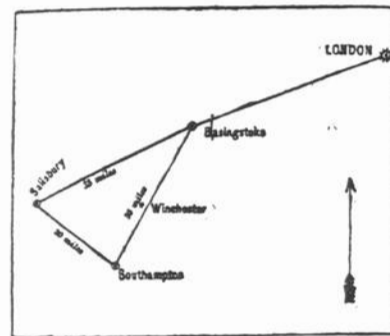
SUMMARY OF PREVIOUS CHAPTERS.

Her story opens with two proposals. Stanley Malcolm St. Hubart Scarsdale of the Towers, Sussex, a good-natured well-mannered young Englishman, was proposed by Miss Mabel Vernon, of Cambridge, a charming girl of a truly aristocratic type, to England with her aunt, Mrs. Eliza Coghill.

In the second case, Robert Allingford, a young man of fortune, returned from his travels to Marion, youngest daughter of the late Sir Peter and Lady Steele, who, as a member of the old English, returned him to the family. He is accepted by Sir Peter and the family. Scarsdale and Allingford being club friends, meet, and a prospect of prospective weddings, which are to be celebrated on the same day. Allingford's duties are to be fulfilled by being exacting, and as a result he is added with an order of the moment, advanced by a distressed situation as collateral for a temporary arrangement.

Scarsdale's aunt, Lady Diana Melton, is opposed to an American wife for her nephew, and refuses to attend the wedding. The young man, however, is determined to marry the American bride. He is determined to know all details of their honeymoon trip, which are totally unknown to him. Allingford has kept his English bride in ignorance of his plans, telling them only to go to Harrington, his best man.

Allingford's escape brother, Dick, arrived from the United States the day before he was to start on his honeymoon, and he found the young man in his own bed, and he was only to have him escape through the window. Allingford says nothing about his brother, and the wedding ceremony is uninterrupted. The young couple set off on their honeymoon. After a very quiet wedding Scarsdale and his bride also start from London on their honeymoon.



Scarsdale alighting at Basingstoke encounters Allingford, with his bride has arrived in the second division of the same train. Allingford assures Scarsdale that the train is to stop ten minutes, and the young men separate, each to pay his respects to the other's bride. Allingford's pleasant chat with Mrs. Allingford, Scarsdale alights only to find the forward division of the train, containing his own bride and Allingford, has gone. Rather than leave Mrs. Allingford alone he rejoins her as the train starts.

CHAPTER V.

IN WHICH A TRUNK IS SENT TO MELTON COURT.

Scarcely had the sun arisen the next morning when the Consul, after a sleepless night, stole down-stairs and found his way out upon the terrace, for a quiet stroll and a breath of fresh, cool air. Moreover, he was in need of an uninterrupted hour in which to arrange his plans as would most surely tend to effect the double reunion he so earnestly desired.

It seemed well-nigh impossible, in the small space of country which had probably been traversed by all parties that they could lose each other for more than a few hours. To make the situation more clear for those who have never had the misfortune to suffer from the intricacies of English railway travel, the following diagram is appended. The triangle is isosceles, the sides being thirty-five miles long, the base twenty.

He reviewed his own adventures of yesterday afternoon. He had acted out what seemed to be the only sensible and reasonable plan to pursue, namely, to leave the train at its first stop, and return as soon as possible to the point of divergence. It seemed fair to assume that Mrs. Scarsdale and Mrs. Allingford had done the same thing, and such being the case, it was easy to guess what their course of action had been. A glance at the time-table told him that the first point at which they could leave their division of the train had been Southampton; from which place they could, almost immediately, catch an express back to the junction they had left, arriving there shortly after seven on the last evening.

His own course and that of Mrs. Scarsdale seemed clear: it was simply a return to Basingstoke immediately after breakfast, and rejoin their friends, who had been spending the night at that place.

It was possible that they had lost the returning express and remained in Southampton; but if they acted in a rational manner, they must eventually return to the junction. But supposing Mrs. Allingford and Mr. Scarsdale had not done the obvious thing; supposing that change had intervened and upset their plans as in his own case? He suddenly found himself face to face with the startling fact that not only were he and Mrs. Scarsdale not at Salisbury or Basingstoke, but that they were at present at the one place where his wife and Mrs. Scarsdale's husband would never think of looking for them—Melton Court.

Allingford jammed his hat on the back of his head, and set off at a brisk pace to Salisbury and the nearest telegraph station, arriving at his destination shortly before seven, to find that he had a good half-hour to wait before the operators arrived. The office was opened at last, however, and he lost no time in telegraphing to Basingstoke for information, and in a little while received an answer from the station-master at that point which cheered him up considerably, though it was not quite as explicit as he could have wished. It read as follows:

'Scarsdale telegraphed last evening from Southampton, saying he had left train there with Mrs. Allingford, and was returning at once to Basingstoke.' The Consul was pleased to find that his conjectures had been correct. He felt that a great weight had been lifted from his mind, and he went to breakfast at Basingstoke and would soon consult the station-master at that point, who would doubtless show them the messages he had received. Allingford looked out a good train, telegraphed the hour of their arrival, and then, as his reception of the night before had not inclined him to trespass on Lady Melton's grudging hospitality more than was absolutely necessary, he had a leisurely breakfast at the hotel, and, engaging a fly, drove back to the Court, reaching there about half-past nine.

Mrs. Scarsdale had also passed a disturbed night, but, unlike her companion in misfortune, she did not venture out at unearthly hours in the morning. She was up, however, and saw him depart, which was in some ways a comfort, since it assured her that he was losing no time in continuing their quest.

At eight a maid arrived with warm water and a message from her ladyship that she wished Mrs. Scarsdale to breakfast with her in private at nine o'clock, and that she would be obliged if her great-niece would keep her room till that time. The bride was considerably piqued by this message and the distrust it implied, but felt it would be wise to accede to the request, and sent word accordingly.

As she entered Lady Melton's boudoir an hour later, her hostess rose to receive her, kissing her coldly on the forehead, and saying: 'You will pardon my requesting you to keep your room; but your presence is not as yet known to my guests, and your appearance among them immediately after your marriage, without your husband, might cause unpleasant speculation and comment. Do you agree with me?'

'Quite,' replied Mrs. Scarsdale. She had misjudged Lady Melton, she thought; but she disliked her nevertheless, and wished to be very guarded.

'Now,' said that personage, 'I want to hear the whole affair. No, I do not want you to tell it,' as her guest opened her mouth to speak; 'not in your own way, I mean. You would probably wander from the point, and my time is of importance. I will ask you questions, and you will be kind enough to answer them, as plainly and shortly as possible.'

Mrs. Scarsdale bowed; she was so angry at the cool insolence that this statement implied that she did not feel she could trust herself to speak.

'Now we will begin,' said her ladyship as she proceeded to demolish a boiled egg. 'What is your Christian name?'

'Mabel.' 'Very well. Then I shall call you Mabel in future; it is ridiculous to address you as Mrs. Scarsdale.'

'I really don't see—' began that lady. 'Excuse me,' interrupted her questioner, 'I will make the comments when necessary. When were you married?'

'Yesterday afternoon at two-thirty o'clock.'

'Where did you and your husband intend to pass last night?'

'At Exeter.'

'Are you sure?'

'I ought to be. I bought the tickets.'

'You bought the tickets! Is that customary in your country?'

'If you are going to adopt that tack, Lady Melton, the sooner we part the better,' said her visitor angrily.

'We do not "adopt" tacks in England,' returned her ladyship calmly; 'and as I consider myself responsible for your actions while you are under my roof, I should not allow you to go to Basingstoke, or anywhere else, with a person who, whatever his official position, is totally unknown to me.'

'You don't mean to keep me here against my will?'

Good Blood. Good blood, good health; bad blood, bad health; there you had it. Why not help nature just a little and change the bad to the good? Bad blood to good blood; poor blood to rich blood! Ask your doctor how this applies to Ayer's Sarsaparilla, and how it applies to you! Could anything be more fair? We have no secrets! We publish J. C. Ayer Co. the formulas of all our medicines! Lowell, Mass.

Call at SCROGGIE'S and see the mechanical exhibit of SHREDDED WHEAT and Triscuit. A complete plant in actual operation, making and baking the two most famous foods in the World. Don't fail to call and see this Remarkable Exhibit.

\$1.25 A Very Good Boot FOR A VERY LOW PRICE. Women's Dongola Kid Laced Boot, with patent tip, extension sole and neat heel. RONAYNE BROS., 485 Notre Dame street West (Chabouillet Square).

Windsor Park, Kensington.

Magnificent Situation. Cars to within 5 minutes walk of the property. Lots either 25 x 100, 25 x 125, or 25 x 150 on Sherbrooke Street, Royal, Church and Monklands Avenues, etc. OFFICE—Corner Sherbrooke Street and Royal Avenue, open Afternoons, 2.30 to 5.30. PRICE \$150 AND UP. EASY TERMS. Suitable restrictions. Special terms to immediate builders.

THE ROSS REALTY COY., Limited, 30 St. John Street. Telephone—Main 5261. Night—East 3743.

CHILDREN'S CORNER. FATHER'S GIRL. (By Emma Ellen Glossop.) Her hair is straight and stubborn; she has freckles by the score; and she is apt to have a rent within her choicest pinafore. She is undersized and sallow, by her sister's side, and tall, but she never tires of doing kindly acts for one and all. Mary brings the water in, and hunts for her father's hat; Mary sweeps the kitchen floor, and picks up Tommy's bat; God's wondrous gift of beauty missed her homely little face, but her loving little mother-heart it filled with double grace. —Junior C. E. World.

BOYS WHO HAVE SUCCEEDED. There was once a little shepherd boy who was so fond of drawing that he used to make pictures on rocks and stumps, and pieces of wood, using charcoal for a brush. One day a great painter came along and watched the boy at his work, and went away saying, 'That boy will make a greater painter than I am.' And he did, for he was Giotto, who revived Italian art.

Divine breathings. Thursday, May 17. LIGHT OVERCOMES DEATH. Darkness is favorable to disease and death. Light is connected with health and recovery from disease. It is said of the Greeks that their world began with night and ended in darkness. Christ entered into the darkness wrought by man's sin and brought in life and immortality. The light of the sun is essential to health and life. Christ is the sun whose beams of light heal poor, dead, sinful humanity. When God created the world it was in darkness, waste and void. His first command was: 'Let there be light,' and light was (Gen. i.). After man's sinning, a moral and spiritual darkness covered the earth, and great darkness covered the people. (Isa. lx. 2.) Satan is the power of darkness and of death. (Eph. vi. 12.) He is the spirit which works in the disobedient. Christ is the light of the world, and His indwelling in a soul dispels the darkness and conquers death, and its power. Life and unending existence is the right of every one who believes the gospel. Where Christ is, there is light and an undying nature. God, who commanded the light to shine out of darkness, has shined into our hearts to give the light of His glory as it shines through Jesus. The beaming rays of the light of God's glory make radiant the face of Christ, and the souls into which that light enters. There is no death to the believer, why then should he fear it? Christ is the only everlasting symbol of hopefulness.—Rev. Trevor H. Davies.

Dr. Chase's Ointment. A certain and guaranteed cure for each and every form of itching, bleeding and protruding piles. See testimonials in the press and ask your neighbors about it. You can use it and get your money back if not satisfied. 50c. at all dealers or EDWARDS, BATES & Co., Toronto.

Teachers Wanted.

WANTED, FOR THE QUYON MODEL School, Protestant Teachers, with a Model School diploma, and one with an Elementary diploma. Apply, stating salary, to WM. F. HARRISON, Secretary-Treasurer, Box 60, Quyon, P.Q. School to commence, Sept. 1st, 1906.

TWO TEACHERS WANTED FOR THE Lake Megantic Model School, with advanced Elementary or Model Diplomas, for the Intermediate and Primary Departments; wages, \$25.00 and \$22.00 per month. Apply to J. P. JONES, Sec.-Treas., Echo Vale P.O., Que.

WANTED, PROTESTANT TEACHER, holding a Model Diploma for the Discontented Elementary School, St. Agathe des Monts. Salary, \$300 for ten months, from 1st September. J. ALEX. ALLAN, Secretary-Treasurer.

WANTED, A MODEL SCHOOL TEACHER, (must be willing to teach 1 and 2 Academy), for Ulverton Model School. Apply, giving references, stating salary, and experience, to HENRY R. THOMPSON, Ulverton P.O., P.Q.

WANTED, FOR WATERLOO ACADEMY, Two Teachers for first and second Primary Departments. Apply to R. F. SHAW, Sec'y-Treas.

Furnished Houses to Let

TO LET — FURNISHED HOUSE FOR summer, detached, in small garden, 10 rooms, near main car lines. Apply afternoons, 456 Mountain avenue, Westmount. Tel. West 1551.

To Let.

OFFICE TO LET, FIRST FLOOR, Light, airy and attractive in 'Witness' Block. Apply to MR. McGLAUGHLIN, 'Witness' Office.

WOOD AVE., near St. Catherine St.

Self-Contained Tenements, 7 rooms, every convenience; immediate possession.

Mansfield St., near Sherbrooke St.

Heated Flats and free of water, 6 and 7 rooms; every convenience; immediate possession.

Property.

PROPERTY FOR SALE — A SUMMER cottage, situated on an island, and other property at St. Agathe. Apply V.B., 29 McGill College avenue.

FOR SALE, CHEAP

That centrally situated property, 776 and 778 Craig street, at present occupied by the Timmis, Noble Co. Size of lot, 60 x 90 ft., with lane in rear, and entrance on St. James street. Apply to THE TIMMIS, NOBLE CO.

For Sale.

FOR SALE — 100 TONS SECOND-HAND telegraph wire, suitable for fencing, price one cent per lb., Montreal, in any small quantity. SYRACUSE SMELTING WORKS, 332 William street.

Lost, Strayed and Found.

LOST, BRINDLE BULLDOG PUP, NINE months old, answering to the name of 'Kallio.' Finder will be rewarded on returning same to stable in rear of 183 University street.

Bargains.

FOR SALE — FIVE SMALL UPRIGHT Pianos. These instruments have been thoroughly overhauled, and carry our 5 years' guarantee. Prices, \$125 and \$145, respectively. Only \$10 deposit required. LAYTON BROS., 141 Peel st. N.B.—Open evenings until the end of May.

Wanted.

SCRIP WANTED — VOLUNTEER AND half-breed land scrip. Write F. A. BLAIN, Box 4, Suckatone, Sask.

WANTED, TO PURCHASE YOURS AND everybody else's cast-off household furniture, clothing, fur coats, capes, old diamonds, gold and silver; best cash prices for good goods promptly called for by MAX FRANK, 486 Craig street. Tel. East 2067.

Books, &c.

FREE — HUNDRED-PAGE ILLUSTRATED book on British Columbia. Accurate information about its wonderful natural resources. Send postal card to The World Printing & Publishing Co., Ltd., Vancouver, B.C.

WANT ADS.

FOR THE 'WITNESS,' may be left with A. T. CHAPMAN, Bookbinder, 2407 St. Catherine st. WM. DRYSDALE & CO., Bookbinders and Stationers, 2475 St. Catherine Street. Or with R. TURNER, Grocer, Point St. Charles, 811 Wellington street, West of Subway.

CLASSIFIED ADVERTISEMENTS.

CASH TARIFF. Situation Vacant, Situation Wanted, People Wanted, Rooms To Let, Articles For Sale, Secondhand Articles Wanted or For Sale.

20 Words for 10c. 1/2c for each additional word. Six insertions for the price of four.

Property For Sale or To Let. Other Articles For Sale. 25 Words for 25c. 1 cent for each additional word. Six insertions for the price of four.

Personals, Agents Wanted. 25 Words for 50c.

NOTICE PARTICULARLY. Postage stamps will be accepted. The above rates are CASH with order. When not prepaid numerous entries have to be made, and the rate is, in consequence, much higher. No charge made in our books for any advertisement of less than five ads. Please insert.

DODD'S KIDNEY PILLS. CURE ALL KIDNEY DISEASES. GOUT, RHEUMATISM, BRIGHT'S DISEASE, DIABETES, BACKACHE. The public may be deceived by cheap imitations, sold only in Montreal.

THE FIRE BRIGADE

Sub-Committee to Assist Chief Benoit in Looking After its Discipline

LABOR UNIONS OBJECT TO FIRE-MEN DOING PLUMBING AND PAINTING IN STATIONS.

At a meeting of the Fire and Light Committee yesterday afternoon Chief Benoit asked that the chairman and one other member of the committee be appointed to act with him in looking after the discipline of the brigade. He explained that under the present circumstances he found it very difficult to decide many cases that came before him. He said that he had a report from one captain against three of his men, and the men were prepared to swear that the report was false. If he did not pay any attention to the captain's report and punish the men, that officer might feel that he was not acting fair towards him, while if he punished the men, and they were not guilty, they might bring a suit against the City.

Ald. Lavolette expressed the opinion that the request of the Chief would conflict with the motion of Ald. Mcrcier, passed three weeks ago, giving full control to the Chief in all such matters. He was much surprised to see that a change was required.

It was finally agreed that Ald. Yates and any member that he might choose should act as a sub-committee for all such cases.

The matter of Poirier and Robitaille, the two firemen who had not received any pay since the beginning of the year was then taken up. It was explained that, in some way their names had been left off the list of permanent employees handed over to the city clerk by the secretary of Ste. Cunegonde.

Sub-chief Tremblay submitted his report to the committee, but instead of mentioning the names of Poirier and Robitaille, the report mentioned the names of Poirier and Deumontais.

In reply to the chairman, Sub-chief Tremblay explained that Poirier and Robitaille had been engaged as firemen by himself and the chairman of the Fire Committee of Ste. Cunegonde in the month of December last, and received pay from Ste. Cunegonde up to the first of the present year, when Ste. Cunegonde became a part of the city.

Robitaille was dismissed in March, and Deumontais was taken on in his place. When the first report was made the change had been overlooked.

Chief Benoit stated that since the first of the present month he had put the names of Poirier and Deumontais on the city pay list, and since then they had received their salary.

The city comptroller stated that if the members of the committee were satisfied that the men had been employed from January 1 until May 1 he would pay them.

It was decided to authorize the city comptroller to pay Poirier, Robitaille and Deumontais the amount of wages due to them.

A letter was read from the Dominion Bridge Company stating that they could not supply beams for the new No. 5 fire station on Berthelet street at the price quoted by them last fall as the price of steel was much higher now.

It was decided to ask for new tenders for the supply of steel, terra cotta brick and plastering for the new station.

Ald. Yates said that the question in regard to Sub-chief Briere, Captain Blain and Foreman Lapointe, who were not receiving the salaries for the positions they occupy should be referred to the city attorneys as he would not take action in the matter until he had received a report from them.

A letter was read from the Trades and Labor Council protesting against members of the fire brigade doing plumbing and painting work. It was laid on the table.

Does Your FOOD Digest Well?

When the food is imperfectly digested the full benefit is not derived from it by the body and the purpose of eating is defeated; no matter how good the food or how carefully adapted to the wants of the body it may be. Thus the dyspeptic often becomes thin, weak and debilitated, energy is lacking, brightness, snap and vim are lost, and in their place come dullness, lost appetite, depression and languor. It takes no great knowledge to know when one has indigestion, some of the following symptoms generally exist, viz: constipation, sour stomach, variable appetite, headache, heartburn, gas in the stomach, etc. The great point is to cure it, to get back bounding health and vigor.

BURDOCK BLOOD BITTERS

Is constantly effecting cures of dyspepsia because it acts in a natural yet effective way upon all the organs involved in the process of digestion, removing all clogging impurities and making easy the work of digestion and assimilation.

Mr. R. G. Harvey, Ameliasburg, Ont., writes: "I have been troubled with dyspepsia for several years and after using three bottles of Burdock Blood Bitters I was completely cured. I cannot praise B.B.B. enough for what it has done for me. I have not had a sign of dyspepsia since."

Do not accept a substitute for D.B.B. There is nothing "just as good."

NEW NAMES ADDED

MEMBERSHIP OF CHAMBRE DE COMMERCE IS INCREASED

Fifteen names were added to the roll of the Chambre de Commerce at a meeting of the council of that body yesterday afternoon, as follows:—Joseph Villeneuve, trader; Wilfrid David, plumber; Charles Albert Millette, advertising agent; Francois Bilodeau, accountant; P. V. Guay, commercial traveller; Alexandre Orsall, wholesale grocer; A. P. Vallieres, merchant; Gustave Lavolette, druggist; Albert Hudon, wholesale merchant; L. J. A. Miller, manufacturer; T. Lafleur, bookseller; W. J. Wilson, bookseller; Leon Gagneau, barrister; J. H. Palhus, accountant, and Paul J. Leduc, druggist.

The chambre reiterated, at the suggestion of Mr. I. Prefontaine, former resolutions that the government should increase the subsidy to the Province of Quebec. The increase in population and the greater needs of the province made such an increase imperative. This request will be forwarded to the government at once, together with the report prepared by the chambre in 1901.

In the absence of President C. H. Catelli, who has left for Italy, the meeting authorized Mr. L. J. A. Surveyer, the acting first vice-president, to appoint additional delegates to the Congress of the Chambers of Commerce of the Empire to replace those already appointed, who might be unable to attend as follows:—Mr. Fortunat Bourbonniere, barrister, was unanimously elected secretary in place of Mr. Alexandre Desmarquet, the accountant, who refused election on account of his numerous other duties.

TEMPERANCE RALLY

ANNUAL CONFERENCE OF Y. W. C. T. U. WORKERS WILL BE HELD TO-MORROW.

The annual conference of the Young Women's Christian Temperance Unions of the county of Hochelaga, to be held in the Y. M. C. A. Hall to-morrow afternoon and evening, promises to be better than any of its predecessors. In the afternoon addresses will be given as follows:—"Practical Christian work," by Miss E. Cochrane; "Loyal temperance legions," Miss Emily Crossley; "Parliamentary procedure," Mrs. F. H. Waycott; "Alcohol in patent medicines," Miss C. Richardson. Following these addresses, departmental conferences will be held, led by Mrs. Thurston, Miss Jaques and Mrs. Radford. The "Question box" will be in charge of Mrs. McLachlan, the county president.

At six o'clock two hundred young men and women are expected to sit down to tea.

In the evening a mass meeting will be held, at which addresses will be given on three important phases of the temperance question—educational, political and religious—by the Rev. J. R. Dobson, B.A., B.D.; Mr. J. H. Carson, and the Rev. E. E. Scott. The addresses will be interspersed with music by Miss Pearly, Miss Dorothy Locke, Miss W. Crossley, Miss Rickert, Miss Freir, Miss Gordon, Miss Dawson and Mr. Small. All young men and women are cordially invited to attend both sessions.

HOME WAS BURNED

LACHINE CITIZEN SUES TOWN FOR VALUE OF HIS HOUSE.

Messrs. Pelletier & Letourneau have entered an action in the Superior Court in the name of Mathias Presseau, of Lachine, who claims \$1,368.75 damages from the corporation of that town as the price of his house, which was destroyed by fire.

Last February a fire completely destroyed Mr. Presseau's home. He recovered \$1,000 insurance, and the sum for which he now sues represents the difference between that amount and his actual loss, the ground of action being that the total destruction of his premises was due to the fault and negligence of the municipality, and the want of proper appliances for protection against fire.

Mr. Presseau alleges that when the alarm was given, the firemen first went in the wrong direction; then, when they did reach the fire, one of the hydrants was frozen, another would not work, and the hose burst under the pressure of the water from the third hydrant. Meanwhile the house was being destroyed.

WANTED IN NEW YORK

R. A. C. HOLMES ARRESTED IN MONTREAL CHARGED WITH FALSE PRETEXTS.

Detective McCall yesterday arrested a colored man named R. A. C. Holmes, on Windsor street, on a charge of having obtained money by false pretences at New York. The amount involved is not large, but it is claimed that, if extrajudicial charges in relation to a considerable sum will be laid against Holmes in Boston as well as New York. Extrajudicial proceedings will commence before Judge Choquet next Wednesday.

MONTREALER GETS SCHOLARSHIP

Mr. Solomon Vineberg, who graduated from McGill this spring, has been awarded a scholarship of the value of \$150 by the University Council of Columbia University, New York. Forty-two Columbia scholarships are awarded each year to graduates from the best colleges and universities in the country.

SACRED BAND CONCERT

To-morrow evening a sacred concert will be given in the French Salvation Army Hall, 740 St. Lawrence Boulevard. The Rev. Messrs. Therrien, Bruneau, Ducloux, and Principal Villard will be present and speak, and Brigadier Turner will preside. The music will be provided by the Citadel brass band.

OF INTEREST TO WOMEN

BY-GONE IDEALS

WHAT WAS EXPECTED OF GIRLS OF LONG AGO.

In the closing chapter of 'Ideals for Girls' (Frederick A. Stokes Company, New York), Mrs. Frank Learned has collected some interesting pictures of girlhood in days gone by.

"It is related of the girlhood of Queen Elizabeth," she says, "that when her brother, Prince Edward, went out to exercise in the open air, she took up her lute or viol, or solaced herself with needlework. Girls were not expected to take exercise in the sixteenth century. Royal girls, as well as others, were occupied in acquiring mere accomplishments. The young Princess Elizabeth was a classical student and fond of literature, but her tastes were regarded as unusual for a girl, and it is certain that she was vain of her superior attainments. Mary Queen of Scots rebelled at having to do little exercises, and played golf in the fields of Seton, and her tastes were considered unseemly and undignified."

"Charming Dorothy Osborne, in her letters to Sir William Temple, gives a sketch of her life at Chicksands, her father's country house, which serves to show the dullness and lack of occupation a girl was subjected to in the seventeenth century. 'You ask me,' she writes, 'how I pass my time here. I can give you a perfect account, not only of what I do for the present, but of what I am likely to do this seven years. If any part of the morning is moonably early, and I go around the house till I am weary of that, and then into the garden till it grows too hot for me. About ten o'clock I think of making myself ready, and when that is done I go into my father's chamber, from whence to dinner. After dinner we sit and talk. The heat of the day is spent in reading or working, and about six or seven o'clock I walk out into a common that is hard by our house. When I have supped I go into the garden and so to the side of a small river that runs by it, where I sit down.'"

"That keen observer, Lady Mary Wortley Montagu, in her letters to her daughter, Lady Bute, makes a plea for the better education of her granddaughter. 'Learning, if she has a taste for it,' says Lady Mary, "will not only make her contented, but happy. No entertainment is so cheap as reading, nor any pleasure so lasting. To render this amusement extensive she should be permitted to learn the languages. I have heard it lamented that boys lose so many years in mere learning of words. This is no objection to a girl, whose time is not so precious. She cannot advance herself in any profession, and has therefore many hours to spare." Lady Mary advises further, that her granddaughter should be cautioned to conceal whatever learning she attains, and she hastened to write another letter, somewhat moderating the first, lest her granddaughter should be "shocked at the proposal of a learned education for her daughter."

The life of girls in the early part of the nineteenth century is portrayed in Jane Austen's novels. Dressing, dancing and flirting occupied the minds of most young women of that period. Matrimony was the aim. Jane Austen's work as an author was not taken seriously by her family or friends, nor did they respect her employment. Her books were written in the family sitting-room under constant interruptions, and she had a piece of embroidery ready to throw over her manuscript when visitors entered. No one dreamed that she was a genius whose books would be classics. Her first novel was written when she was twenty years old.

Fanny Burney was considered a prodigy when it became known that she had written 'Evelina.' Proud as she was of her success, she dreaded that she might be thought learned.

It is interesting to know that Miss Weston's work has done so much to advance university life for women at Oxford, did not always approve of such a career for them. Her own words express very amusingly the feelings she had on the subject, "I must own that, like Mrs. Malaprop, I began with a little aversion. In my younger days if I had been told at a party that a young lady belonged to a college, I should have preferred occupying the stiffest of chairs in a thorough draught to sitting by her side on the most comfortable of sofas." She lightly sketches her ideal present-day woman as follows: "My ideal woman is always graceful and beautiful, better with her hands than with her head, but best of all with her heart. She has many admirers, but is constant to one, whom she marries at twenty-five. She can cook, sew, dance and sing; she is, very likely, accomplished and well informed. She is not a staid, but she is never overworked her brain, and is really interested in all she knows. My pattern woman is not at all controversial. She cannot argue, but she lives."

MORE SIMPLICITY IN HATS.

As the season advances, it is pleasant to observe increased simplicity in hats—that is to say, one may have simple hats, if one chooses. To be sure almost as many extreme models as ever are shown, but, side by side with them, are many charming hats, that are quite simple withal. The sailor shape continues its popularity. Most of the sailors are small, short-brimmed, and arranged on bandeaus, high or low. The color combinations are carefully thought out, and most of the little hats are very satisfactory.

YOU MELANCHOLY WOMEN!

Can't even sleep—restless day and night—brooding over imagined trouble all the time. The disease isn't in the brain, but in the blood, which is thin and impure. Do the right thing now and you'll be cured quickly. Just take Ferrone; it turns everything you eat into nourishment, consequently, blood containing lots of iron and oxygen is formed. Ferrone makes flesh, muscle, nerve—strengthens in a week, cures very quickly. You'll live longer, feel brighter, be free from melancholy if you use Ferrone. Fifty cents buys a box of this good tonic (fifty chocolate-coated tablets in every box) at all dealers.

A model in natural straw had a low crown encircled with a wreath of small pink roses. Almost in front was an ample bow of black velvet ribbon, holding a lovely pink wing, shaded with rich brown. The bandeau was velvet ribbon and black tulle.

Another pretty sailor was in fine black straw. A pale blue Liberty satin ribbon was tied in a large bow in front, where a round buckle ornament of tiny pearls also showed. Two pale blue wings and a bunch of old green peacock feathers started from the bow, and were pointed sharply towards the left, in the dashing fashion of the hour. Peacock feathers, by the way, strike one as a 'frank' in millinery. Whether bleached, dyed, or in their natural colors, they are more suggestive of a feather duster than of anything calculated to adorn a hat.

None of the hats this season are prettier than the Leghorn ones, and nothing is prettier with Leghorn than pink roses, especially if a touch of black velvet is added. A Leghorn hat which was much admired had the crown wreathed with crushed pink roses without foliage. The hat was tilted from the back, and the bandeau was covered with many loops and ends of velvet ribbon. On the side of the crown against the roses was a long, uncurled black ostrich feather. These uncurled ostrich feathers have the long fronds in thick, willow-like fringes, giving the plume a very different appearance from the ordinary curled feather. Great attention is paid to the tulle bandeaus, which build out and supplement the hair arrangement. When selecting a hat, one should not fail to take account of the silhouette, looking at it from every point of view. If any part of it is unsatisfactory a brown, black or colored tulle ruche often supplies exactly the missing effect. The ruche should, if possible, match the hair of the wearer.

DAILY TABLE HINT.

Strawberry Jelly.—Pick the strawberries over and crush them with a potato masher. Add one cup of sugar to each quart of berries and let stand for two hours, then strain the juice. Add more sugar if needed, and to two cups of the berry juice add one cup of water in which one-half box of gelatine has been dissolved. Strain all again into small cups or moulds and set away to chill and become firm. Serve with whipped cream.

A LABOR RIOT

TROOPS CALLED OUT AT COEYMANS, N.Y.

Coeymans, N.Y., May 16.—What is practically martial law reigns to-night in this little town on the bank of the Hudson river, twelve miles south of Albany. The strike of the brickmakers in force all along the Hudson broke into a riot here early this morning, and after fighting between the five hundred union strikers and nearly as many non-union men, in which one man was severely wounded, Sheriff Pitts was called from Albany. He decided that he and his deputies could not suppress the riot and four Albany companies of militia, about two hundred and fifty strong, constituting the second battalion of the Tenth Regiment, were ordered to Coeymans, arriving here early this evening.

The negroes are brought here every spring for the extra work called for at that time and they refuse as a rule to join the union for their short stay. The employers here, as elsewhere, employ both union and non-union men. The main object of the strikers is for recognition of the union and employment only of its members. The strikers last night served notice on the non-union men that there would be trouble to-day and carried out their threat by an armed attack, which began soon after the men went to work at 4.30 a.m.

The men at most of the yards quit work at sight of the armed strikers, but at the yard of Sutton and Suckery, there was a hot fight, in which three men were wounded. One of them, Fred, Southard (white), engineer of the steam shovel was severely hurt and was taken to the Albany Hospital. The strikers made their attack from the top of the clay bluffs, where they were well protected from the shots of the defenders in the yards, fifteen feet below.

Meanwhile the strikers picketed all the approaches, including the river road from Albany, allowing no one to pass, and this condition prevailed until the militia arrived to-night. The strikers then went to their homes.

The town was patrolled all night and the saloons were closed by the military. To-night the people in the north section of the town are required to remain indoors and all suspected persons are arrested. The negroes are expected to resume work to-morrow under a guard of troops. How long the military will remain cannot be foretold.

CALIFORNIA LOSSES

INSURANCE COMPANIES WILL SETTLE THEM IN THEIR OWN WAY.

San Francisco, May 16.—The insurance companies will settle their losses in their own way, each company acting for itself according to the contracts embodied in its policies, and the fire underwriters' adjusting bureau will make no attempt to dictate a general policy to be observed in the settlement of claims, according to a statement made yesterday by Attorney T. C. Coogan, who is legal adviser to the adjusting bureau. The bureau will act merely as a board of appraisers and only report on the losses sustained. Mr. Coogan added:

"There is no truth in the report that it is contemplated to cut losses all down the line, and settle upon a percentage basis. The companies will pay what they legally owe."

HANKS RE-OPENED.

San Francisco, May 16.—All the sav-

FOURTH ANNUAL GLOVE SALE.

May 21st to 26th inst.

THE PARIS KID GLOVE STORE is now preparing its Annual Glove Sale, which will take place during next week. The Gloves we have been fortunate to secure will Equal, if they do not surpass, the values offered in our former sales.

GLOVES ARE NOW ON EXHIBITION.

Paris Kid Glove Store, 441 St. Catherine street. Phone Up 1068.

WE ARE BUSY BUT WE CAN STILL ATTEND TO YOU

Estimate or Catalogue on Application.

MERCHANTS AWNING CO., Limited, 227-229 Notre Dame Street East. Tel. Main 3330.

MR. G. R. SMALL.

Patriotic sentiments should surely flow unobscured, like the pure sap in the Canadian maple trees, when a



word is being said of the proprietor of the Canadian Maple Exchange, Mr. G. R. Small. The making of maple syrup and maple sugar, in a crude

form, is interwoven with the most interesting days of the average Canadian who was reared 'far from the madding crowd,' and whose love of sap and seclusion often called him back to 'the maple bush' in the sunny days of spring. It remained, however, for the subject of our sketch, Mr. G. R. Small, to bring this purely Canadian industry out of the sap-trough state of past decades and make for it a name and place in the homes of the people of Canada as fully appreciated as the Spring sunshine, which is the origin of the sap and which causes it to flow.

Small's Brand Maple Syrup is now known and looked for from ocean to ocean, while Small's Maple Sugar Creams are now a by-word in most Canadian homes, and Small's Maple Leaf brand pure maple sugar stands in pre-eminence wherever it is shipped. The many medals received by Mr. Small as awards for purity are but further testimony of the excellence of his pure and purely Canadian product.

ings banks of this city will reopen for business on May 28. Officials of the various institutions declared their banks to be in excellent condition financially.

MICHAEL DAVITT VERY WEAK

A SECOND OPERATION PERFORMED ON IRISH LEADER.

Dublin, May 16.—Prof. Sir Thornley Stoker, president of the Royal College of Surgeons, to-day performed a second operation on Mr. Michael Davitt, the Irish leader, who has been suffering from blood poisoning for some time past. Mr. Davitt is very weak and it is feared that a third operation may be immediately necessary.

CANADIAN CABLES

(Canadian Associated Press.)

London, May 16.—In discussing the colonial marriage bill, the Dundee 'Advertiser' says now people go to Canada to evade the English law forbidding marriage with deceased wife's sister, and that the incentive will be much stronger in the future. The Glasgow 'Herald,' in approving the bill, says on this point that the number of people who can afford to go to Canada and acquire domicile in order to evade the law must be infinitesimal.

DE MARCO ACQUITTED.

Toronto, May 16.—After a second trial, lasting two days, the jury at the assizes to-night found Charles De Marco not guilty of murdering John J. Hoban during a fracas in this city last fall between drunken Italian and Irish laborers. Mr. Justice Anglin heard the case. The jury was out three hours. At the former trial De Marco was convicted, but Mr. T. C. Robbette, K.C., secured a new trial on the ground that new evidence for the defence had been discovered after the verdict had been announced. De Marco has been in jail since September last, having first been arrested on a charge of vagrancy, which was afterwards changed to a charge of murder on the finding of the coroner's jury. His Lordship told De Marco that the second jury had probably taken a lenient view of the evidence. When

De Marco reached the corridor of the City Hall he was heartily greeted by a number of his fellow-countrymen.

SUPREME COURT.

Ottawa, May 16.—The appeal in Grand Trunk Railway Company vs. Moore was heard in the Supreme Court this morning. The action was by the widow of William Moore, who was killed at a crossing of the railway at Bloor street, Toronto. He was walking west on Bloor street at the time and on the trial, the jury found that the bell did not ring as required by statute on approaching the crossing, which was negligence causing the death of deceased, and that the latter could have avoided the accident by the exercise of reasonable care, but it was not proved that he did not exercise such reasonable care. The judge at the trial refused to enter a verdict for either party, and on appeal to the Court of Appeal, judgment was entered for the plaintiff for \$2,700, the damages assessed by the jury. The company's counsel argued that the deceased must have seen or heard the train if he had looked or listened, which was his duty.

Mr. Nesbitt, K.C., and Mr. Riddell, K.C., appeared for the Company; Mr. Glyn Osler and Mr. E. G. Morris for the respondent.

ANGLO-JAPANESE CONFERENCE

London, May 16.—The 'Tribune' this morning says that under the terms of the Japanese-Anglo alliance arrangements are made for a military conference at Tokio between representatives of the two powers.

ILLUSTRATED FAIRY TALES

Everything points to another successful in the forthcoming productions of the interesting fairy story of Cinderella, on May 25 and 26, in aid of the Hervey Institute. The Cinderella Orchestra, composed of twenty clever children, will again take part, as will all those who made the last performance so successful. Large houses are assured, although there are still some good seats left. The large choruses of ladies and gentlemen, the Harmony Glee Club, the complete cast, as well as the dancers, will take part again, and it is safe to say that the performances will be even more successful than the previous ones, if that were possible.

The best machine is MADE IN CANADA

A SUCCESS—NOT AN EXPERIMENT.

YOU SEE IT WRITE. IT WRITES IN SIGHT.

The OLIVER Typewriter.

VISIBLE.

Highest Speed.
Greatest Ease.
Best Work.

Simple
Light
Durable
Rapid

Sells on Merit.

A Railroad Typewriter.



LOOK, IT WRITES HERE.

VISIBLE.

Least Parts
Best Alignment
Heaviest Mani-
folding.

IT WRITES RIGHT,
IT WRITES IN SIGHT.

Most Approved Keyboard.

Built to Stand Abuse.

Don't buy an out-of-date Machine on a worn-out Reputation.

INVESTIGATE. INVESTIGATE. INVESTIGATE.

Oliver Reputation Founded on Merit—Not Age.

ILLUSTRATED ART CATALOGUES ON APPLICATION.

Agents Wanted.

Mail Orders Attended to.

The CANADIAN OLIVER TYPEWRITER Co., MONTREAL.

Office, 128-130 St. Peter St.

Works, 275 St. Martin St.

THE DOUKHOBOR COMMUNITY.

IN THREE YEARS THEY HAVE MADE GREAT HEADWAY.

(Manitoba Free Press.)

Since the celebrated Doukhobor Pilgrimage three years and a half have passed. Those years have been marked with momentous changes in the attitude of the Doukhobors, not in their religious beliefs, but in their relations to Canadian usage and custom. The principal cause contributing to this change of attitude has been the personality of their leader, Peter Veregin, who arrived in Western Canada, after fifteen years imprisonment in Siberia, the spring after the pilgrimage. A veritable prophet, a man of acute, resourceful leader to the community. The manner in which he induced his people to utilize every modern labor-saving invention, and to reap all the advantages of organization and co-operation is a story imperfectly known. Veregin made even the Doukhobor prejudices stepping stones to their agricultural and financial advancement. Many of the ex-pilgrims objected to working horses on the land. "Very well," said Veregin, "then we will buy steam engines to plough and do the other work," and the result of this sure-wed solution of a difficulty is that no community of farmers anywhere in the world has more or better labor-saving machinery than the Doukhobors. Some of them objected to men of their beliefs being merchants or storekeepers, the personal and individual profit being antagonistic to their communistic doctrines. Veregin took advantage of these convictions to establish co-operative stores, buying at wholesale in Winnipeg and the east large stocks of all necessities getting big discounts, and enabling his people to buy standard farm commodities cheaply.

Under Peter Veregin's leadership the Doukhobors have become one of the most remarkable communities existing in the world to-day, doing business on the most modern and business-like methods. Of this the "Free Press" a day or two ago afforded most striking proof, for it contained more than three columns of closely printed matter, the result of the annual meeting of all the Doukhobor communities. This was inserted by them as an advertisement in order that the people of Canada might be informed as to their progress and present conditions. The annual meeting in question was regularly constituted, three delegates—two men and one woman—being present from each of the forty-four villages, and the members of the executive committee. The report, which is in quaint archaic English, states that during the last three years of community life, the Doukhobors have purchased over \$600,000 worth of goods, and have, by the system of bulk purchases, effected an aggregate saving of over \$150,000. It gives a number of examples of the economies made by this means. The executive committee was re-elected with some additions. The meeting decided that in future horses should not be worked when the temperature was lower than twenty degrees Reaumur (13 degrees Fahr.), to build a flour warehouse at Yorkton, and a flour and oatmeal mill at Veregin, and to purchase 100 more teams of horses. The matter of the erection of a Doukhobor hospital was discussed, but action was postponed until it could be referred to the several villages. It was further decided that a number of large railway contracts should be taken during the present season, and the executive was instructed to purchase oats, scrapers,

MAN'S INGRATITUDE

AUGUSTE FANELLO ROBS THE MAN WHO GAVE HIM A NIGHT'S SHELTER.

Auguste Fanello, a colored man, 25 years of age, was convicted before Mr. Lafontaine yesterday of theft—and ingratitude. On Monday evening the prisoner met Victor Guillaume and told him he was destitute. Guillaume gave the man lodgings for the night in his own home, at 115 St. Francois Xavier street. On Tuesday morning it was discovered that Fanello had got up very early and carried off with him Guillaume's clothing and watch. These were afterwards recovered by the police at a boarding house on Claude street, where Fanello was arrested. This boarding house was kept by Alfred Dufour, who was yesterday sent to the penitentiary for receiving stolen goods. Fanello was sent to jail for ten days.

BROKE LICENSE LAWS

NO IMPROVEMENT IN OBSERVANCE BY LIQUOR DEALERS.

Emile May, of the Germania Club, St. Lawrence Boulevard, was yesterday fined \$30 and costs, by Judge Desnoyers, for supplying intoxicating drink to a non-member of the club. Augustin Tetrault was proved to have sold liquor on Sunday, at Longue Pointe, and Judge Desnoyers said he would pass sentence on May 23. In the Recorder's Court, Antoine Pigeon, of 150-52 Lafontaine street, was fined \$50 and costs for selling liquor on Sunday.

YORK COUNTY LOAN.

Toronto, May 16.—Fourteen actions entered by the National Trust Company, as liquidator of the York County Loan & Savings Company against shareholders of the Toronto Life Company were dismissed by Chief Justice Meredith in single court this morning. These actions were taken to secure stock which the liquidator believed did not belong rightfully to the holders but which was really the property of the York County Loan Company. The shareholders against whom the actions were taken have handed over the stock in dispute to the National Trust Company, on condition that the actions were withdrawn.

Your System Demands Help

In the spring, as at no other season of the year, your system demands help—help to enrich the blood, help to restore the exhausted nerves. The blood is weak, watery and impure, and the ordinary food fails to supply a sufficient amount of nutrition. Dr. Chase's Nerve Food supplies this very demand as no other medicine was ever known to do. It contains in condensed pill form the very elements of nature which go to form new, rich blood and nerve force. You can escape the weakness and fatigue, the depression and irritability, the indigestion, dizzy spells and headache so common in spring by the use of Dr. Chase's Nerve Food.

It will be a pleasure for you to note your increase in weight, as the form is being rounded out, and new, firm flesh and tissue added to the body by the use of Dr. Chase's Nerve Food; 50 cents a box, 6 boxes for \$2.50, at all dealers, or Edmondson, Bates & Co., Toronto.

ST. LOUIS COUNCIL

THE SECRETARY-TREASURER RECEIVES EXTRA PAY FOR MAKING THE ASSESSMENT ROLL.

Tuesday night's meeting of the Town Council of St. Louis was enlivened by a debate on the question of whether the council should pay extra for the annual labor involved in assessing the property on which the taxes are levied and in making out the valuation roll for the year, or whether this work was included in the duties of the secretary. This work has hitherto been performed by assessors paid by the council, and appointed annually for the purpose. However, the secretary-treasurer having obtained a contract from last year's council under which the work of the secretaryship has been farmed out to him at a fixed sum (\$3,800 a year), Mayor Gelinus interpreted the contract as including the preparation of the valuation roll. Mr. Vincent decidedly objected to do this work, contending that it was not specified in his contract, and the majority of the council sustained him in that view.

The debate was long and animated, but was entirely free from bitterness or any exhibition of bad temper. It is understood that Mr. Vincent pays his office assistants out of the amount awarded him under his contract. He has two junior assistants almost all the year round, and during the period in which the taxes are collected he has sometimes as many as four assistants. The question of the principle involved in farming out the work of the secretary's office was not discussed, though the mayor and several councillors are opposed to it.

Mr. Vincent explained that he had no objection to prepare the assessment roll if he were paid for the extra work that it would impose upon him.

Councillor Neville contended that the secretary was responsible for the preparation of the annual valuation roll, and that it was his duty to prepare it.

Mr. Vincent read the clauses in the law to show that he was not obliged to do this work. He also read the contract to show that this work was not mentioned in it.

Councillor Jubinville moved that the secretary-treasurer be re-engaged to prepare the valuation roll, and that the amount of his remuneration be increased to the extent of \$175.

Councillor Godon supported the motion, and expressed the opinion that \$200 would not be too much to indemnify Mr. Vincent for the extra work.

After a long debate, the mayor, being appealed to by several councillors, reaffirmed the view he had already expressed, which was that Mr. Vincent under his contract was obliged to do all the work of the office of secretary-treasurer, which included the preparation of the roll.

Councillor Bérubé moved in amendment that whereas the council had made this contract with the secretary in good faith, and whereas the secretary had contracted to do the work of the corporation; Resolved, that he be held to do his duty according to law.

The amendment was rejected, and the main motion adopted on the following division:—For the amendment: Neville, Bérubé—2. Against: Turcot, Jubinville, Godon, Desjardins and Chalkfour—5. Councillor Grignon was not present at the meeting.

On the invitation of the Hon. Mr. Belcourt, a resolution was adopted endorsing the invitation to King Edward VIII. to visit Canada, and Councillors Bérubé and Turcot were appointed to transmit a copy of the resolution to Ottawa.

The secretary was authorized to pay \$1,000 to the J. Peck Shirt Manufacturing Co., being an instalment of bonus due since May 1.

The committee's report recommending that \$100 be paid Mr. L. Villeneuve as indemnity for removing his woodyard from the property he had leased in the Annex to the lot at the corner of St. Lawrence and Comte streets, was confirmed.

The by-law to oblige proprietors to keep the lanes in good order received a second reading, and, after some discussion on the advisability of purchasing a stone crusher for the Road Department, the council adjourned.

OBITUARY

JOSEPH R. WYMAN.

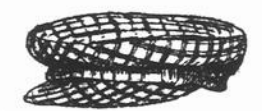
Yarmouth, N.S., May 15.—Mr. Joseph R. Wyman died at 8 o'clock this evening, aged 58 years. He leaves a wife and three children, Harry A., principal in the academy here; Ralph, in Toronto, and Mrs. Frank Lullie. Deceased served the town for years as councillor and mayor, and his removal has caused universal sorrow. He was in Halifax last week attending the meeting of the exhibition commission, taking an active interest in the proceedings. He succeeded in having a rule changed under which paintings for the exhibit had to be framed. The rule was abrogated through his representations.

JUDGE G. G. GILBERT.

St. John, N.B., May 15.—G. G. Gilbert, judge of probates in King's county, died just before 12 o'clock to-night, aged 79 years. He had been very ill for some weeks, and death had been looked for at any time.

JUSTICE HENRY A. CHILDS.

Buffalo, May 16.—A special to the "Times" says:—The Hon. Henry A. Childs, dean of the bench of the eighth judicial district, died at seven o'clock this morning at his home in Medina, after suffering a stroke of apoplexy. Justice Childs was about the village last night, and his health then seemed as good as it has been for the last few months. But last evening he was stricken and died this morning. Justice Childs was born in Carlton, this state, in 1836. He therefore was 70 years old, and was to have retired from the bench



The Best Stock

Gold Bonds or Silver Bonds. Safe as Wheat. Good as the Bank.

Our Best in America

\$2.00 Hats!

Warranted Pure Fur Felt and guaranteed for quality, style and durability.

Best silk ribbon and binding, real Russia leather sweats, latest styles and colors.

New Soft Pearl Gray, Fawn, Brown, Tan, etc., in all new shapes for young and old.

Also a very large variety of

New

Tweed Caps

for Golfing, Outing, etc., 25c to \$1.00 each.

Fishing Hats, Boating Caps, all new styles.

We have just received our new stock of

STRAW HATS

For Men and Boys.

We invite you to come in and inspect our lines.

allan's

Corner Craig and Bleury sts., and 401 West St. Catherine st.

J. E. H. PADDON

Plumbing and Heating, also Gas and Electric Fittings, Mechanical Bells, etc.

A FULL LINE OF HARDWARE AND HOUSE FURNISHINGS, GLASS, PUTTY, OILS AND VARNISHES. RAMSAY & SHERWIN WILLIAMS PAINTS IN ALL COLORS. PHONE UP 1233.

2696 St. Catherine Street.

THE "IDEAL" GAS STOVE.

The "Ideal" burners carry mixers when properly adjusted to the blue flame, burns 7-8 percent air—pretty cheap, isn't it? Well made, easily cleaned and economical.



GEO. R. PROWSE, 208 McGill Street.

in a few months because of the age limit.

DR. C. A. SIPPI.

London, Ont., May 16.—Dr. C. A. Sippi, former burser of the asylum for the insane, died at noon to-day, after a prolonged illness.

MR. CHARLES J. WYLDE.

Halifax, N.S., May 16.—Mr. Charles J. Wylde, one of the best-known men of

Halifax, died to-day, after an illness of some months. He was an old member of the Halifax and other clubs, and was prominent in the social life of the city. He was a member of the firm of B. Wier & Co., that ceased business a good many years ago, and recently has been the representative of the Liverpool & London & Globe Insurance Company. One of his sons is Dr. Charles Wylde, of Montreal. Oswald is in Calgary, and the two others are residents in Halifax.

DOMINION PARLIAMENT.

Mr. Blain's Motion Condemning Expenditure in Public Works Department Defeated by 48 to 100.

THE HON. RODOLPHE LEMIEUX, SOLICITOR-GENERAL, MR. EDMUND W. TOBIN, OF RICHMOND AND WOLFE, AND MR. C. S. HYMAN DEFEND THE GOVERNMENT.

Ottawa, May 17.—On motion to go into committee of supply Mr. Richard Blain, of Peel, moved the following resolution: "That this House condemn the expenditure of public money for purposes not contemplated or authorized by parliament, and especially regrets that any sum voted for the construction of public works should have been expended for purposes not so contemplated."

WHARF AT DISRAELI.

Mr. Blain drew attention to the construction of a wharf at Disraeli on Lake Aylmer in Wolfe County which cost five thousand dollars. He contended this was nothing more than a municipal bridge. Mr. Blain told of a visit to the wharf by himself and his colleague, Mr. Haughton Lennox. They came back with a photograph of the work and a supply of information gathered from people in the locality. One of these was Mr. Champlain. He and others declared that the wharf was of no value to Disraeli.

In support of his motion Mr. Blain alluded to the old case of the wharf at St. Joseph Island, Georgian Bay, which he said was to assist a hotel project that never materialized. This was a few sessions ago. There was the wharf in Gaspé County, built at a cost of \$57,418, to increase the value of a timber limit owned by the Liberal member for Stanstead. Just before the last general election Sir William Mulock issued a circular asking significant questions as to whether the public works in certain constituencies should be done by day labor or contract. This move was calculated purely to divert public money to half the Liberal candidates. Comparing the outlay by the Liberal Government with that under Conservative rule, Mr. Blain cited \$1,414,593 as the cost of public works in 1895. The corresponding item in 1905 was \$3,407,488, an enormous increase of nearly seven millions. There was, he said, not enough of explanation by the minister when parliament was asked to make the appropriations.

Mr. Blain quoted the opinion of the Mayor of Disraeli and other residents, declaring that it was incorrect to call the structure a wharf. The lake was too small for steamship traffic and there never could be justification for the expenditure.

The Hon. Rodolphe Lemieux, the Solicitor-General, expressed surprise at the character of the attack made by Mr. Blain. The House had heard of an ominous resolution on public expenditure and it was reasonable to expect a great discussion on the millions which had been spent by the government. But after all this talk an item of \$5,000 was all that could be criticised. Mr. Lemieux affirmed that the majority of thirteen hundred with which Mr. Tobin, the member for Richmond County, won his election, was sufficient proof that he did not need the construction of a bridge to win his constituency. Mr. Lemieux defended also the building of the Grand Vallée wharf in Gaspé.

Mr. F. D. Monk followed and made a fervent appeal to the government to carry out the recommendations of the Transportation Commission. He deprecated the outlay of money on small works when the country was suffering for want of the larger improvements urged by the commission.

Mr. F. D. Monk followed and made a fervent appeal to the government to carry out the recommendations of the Transportation Commission. He deprecated the outlay of money on small works when the country was suffering for want of the larger improvements urged by the commission.

MR. TOBIN TELLS OF DISRAELI WHARF.

Mr. Edmund W. Tobin, Liberal member for Richmond and Wolfe, replied. He affirmed that nothing would ever have been heard of the Disraeli wharf had not Mr. Champagne become disgruntled when he could not get the contract. Mr. Champagne had come to him and offered to pay \$5 per thousand feet of lumber if the member would secure for him the contract for the wharf. "I told him I was not that kind of man," declared Mr. Tobin. (Cheers.) Mr. Tobin thought that if Mr. Blain and Mr. Lennox, who had gone to the lake as detectives, had looked round for the facts they would have returned with a different story. It was significant that the local council, most of them Tories, had made a request for the wharf. Mr. Tobin had been invited to attend a banquet in his honor on account of the wharf, but declined to accept, for the people who proposed it were nearly all Tories, and he did not want

to get mixed up with them. He was proud that he had been able to secure the wharf, and had two other applications for similar works, which he hoped the Minister of Public Works would grant.

MR. HAUGHTON LENNOX. Mr. Haughton Lennox answered that he was proud to be a detective in such an undertaking. The wharf was of no more value than one built in a tub. The affair was another proof that the government was on the down grade.

THE ROSS RIFLE. Sir Frederick Borden, in reply to Col. Worthington, of Sherbrooke, quoted a report of a commission that examined the various features embodied in what is known as the Mark 2 Ross rifle for the Canadian militia. The changes that had been made in the arm were, they said, decided improvements and the rifle, in its new form an excellent arm.

PROVINCIAL SUBSIDIES. Mr. Robert Bickerdike presented a resolution of the Montreal Board of Trade favoring the readjustment of the provincial subsidies.

YUKON GOLD MINING CODE. The government bill to provide a mining code for placer gold mining in the Yukon was given its second reading and considered in committee. The purpose of this bill is to give an element of permanency to titles in the Yukon gold fields that did not exist while the mining regulations are subject to change from time to time by the Minister of the Interior. The code, which can only be amended by act of parliament, conforms to a clause allowing the discoverer of any new gold deposits a power of attorney to stake for others two claims in addition to his own. The leader of the Opposition objected to the principle of allowing claims to be staked by proxy under any circumstances. This clause stands for further consideration.



Hon. C. S. Hyman.

cause they were not referred to in the report of the royal commission. The government was far from ignoring the recommendations of the commission. In regard to many of the works, the government had anticipated the report, as in the harbor improvements at Port Arthur and Fort William, Midland, Victoria Harbor and other places. The Opposition would be horrified if the Department of Public Works brought down estimates covering all the works referred to by the commission. Mr. Monk asked if it would not have been better to install lights in the east part of Montreal than to spend so much money at Disraeli.

The Minister of Public Works referred to the reconstruction of the Montreal Harbor Commission and the improvements carried on at the harbor in that city. The government was reopening the harbor at Quebec, and consultations were being held with its civic authorities with regard to St. John. The government had agreed to do dredging there, and he was willing to do more.

Mr. Hyman pointed out that the fishery exports of Canada had increased from eleven millions to fifteen millions. This development was due to the improvements to breakwaters and other aids to the fishing industry. He believed Mr. Tobin had made a satisfactory explanation of the expenditure at Disraeli. The minister combated the allegation that there was no demand for the wharf. Instead of the wharf being built on a creek, as one member had said, there was 700 feet of water at the place.

Mr. J. B. Morin interrupted to say that the locality was swampy and more a meadow than a lake. "I have a contract," he added, "who moved two tons of hay to the acre there." (Laughter.)

Mr. Hyman read the report of Engineer Michault, who advised the Department that the wharf was an absolute necessity. A survey had been made, and accompanying the report approving the wharf was a plan of the proposed work. The report showed that there was 13 feet of water at the wharf and a clear channel of six feet. There were two steamers on the lake, and the population of the locality demanded the improvement. Mr. Hyman followed the report of his engineer, and if the advice was not reliable the engineer would have to answer for it. If there was 25,000,000 feet of lumber on the lake, as stated, certainly the \$7,000 expended on the wharf was justifiable. Mr. Hyman affirmed that the Department had never received an intimation that the wharf was used as a bridge. He saw nothing wrong in the policy laid down in the resolution, but coming at that time he could not accept it.

THE LEADER OF THE OPPOSITION. Mr. R. L. Borden argued that the traffic on the lake never came near the wharf. He thought it was dangerous to have Mr. Tobin threaten to keep up his demand for expenditure of money in his constituency for more wharfs. The wharf that had been built was of no more value than if it was built in a pond. After some further debate, a vote was taken on Mr. Blain's motion, which was defeated by 48 votes to 100.

BUDGET SPEECH NEXT TUESDAY. At the opening of yesterday's sitting of the House the Finance Minister announced that the budget would be brought down on Tuesday next.

In answer to a question by Hon. Mr. Foster, the Minister of Marine stated that 227 foreign made buoys were purchased by the Government of Canada between July 1, 1904, and March 30, 1906, for use in Canadian waters. In reply to a question by Mr. Northrup, of Hastings, he said that \$104,521 had been paid to George F. Merwin, of Montreal, by the Marine and Fisheries Department between July 1, 1905, and May 1, 1906. An account for \$362 was still unpaid. During the same period accounts totalling \$69,608 had been paid to F. L. Brooks & Co., whilst further accounts of \$32,000 were still unpaid. These payments are now being investigated by the Public Accounts Committee.

Senator David thought the Senate more prone to works than to words. The proposal to retire senators at 80 did not meet with Senator David's approval. The best men of the Senate would be lost if that rule were enforced. If the Commons did not want men beyond that age, the Senate would be glad to take them if they had men as wise, strong and experienced as those who had come from the Lower to the Upper Chamber.

Senator Bostock moved the third reading of the Vancouver, Westminster and Yukon County Railway bill, which gives authority to construct a branch from the main line through the Yellow Head pass to Edmonton. It had been stated, Senator Bostock said, that the promoters desired to monopolize the pass. That was not so. There were many passes. He believed the Railway Act gave the Railway Commissioners power to prevent that. However, he had no objections to accepting the amendment of the Secretary of State, which sought to prevent this absolutely by authorizing the Railway Commissioners to give running rights over the pass portion of the line to other roads.

Senator Landry declared the object of the road was to divert the Pacific coast business south across the boundary line. He moved in amendment that the clause authorizing a branch from Anderson Lake to the international boundary near Huntington should be stricken out.

Senator McMullen said the company had been chartered five years ago to build some 700 miles of line. It had now built about 17 miles. He would not object to the original powers being renewed, but he objected to branches being authorized before the main line had made more progress. The road sought the right of the Yellow Head pass, which was one of the best in British Columbia, and which might be required by the Canadian Northern or the Grand Trunk Pacific. He had it on good authority that this company was negotiating with British Columbia for a land grant which would give it advantage over the Canadian Northern in the race for the pass. He advised giving the right through the pass to the first line which built near enough to show real intentions. He did not see how several roads could be given running rights over one line, as proposed by the amendment of the Secretary of State. The Vancouver, Westminster and Yukon evidently proposed to divert as much Canadian business as possible to the United States. One result would be that Canadian wheat would be taken to American mills, mixed with American wheat, and ground into inferior flour, which would be sold in the Oriental markets as Canadian, to the damage of the real article's reputation. He wanted Canadian wheat to go out in the form of Canadian flour over Canadian railways and Canadian ships, and sold as Canadian. He did not want to see the most desirable portion of the west given up to the Hill projects. If this company was given the rights of the Yellow Head pass, what would be the effect on the Canadian Northern in the British money markets when it sought capital to build to the coast?

Senator Gibson reminded his colleague of the free trade theories that he (Mr. McMullen) had expounded for so many years in the House of Commons. What had become of them now? Senator Gibson had been told by Sir Sandford Fleming in the presence of another member of parliament only a few days ago that there was room for fifteen railways through the Yellow Head pass. There seemed to be no danger involved in giving the Vancouver, Westminster and Yukon road a right to build there, particularly in view of the government amendment. The Canadian Northern had not yet reached the Yellow Head pass, yet Senator McMullen said other roads must mark time for it. Canada could not afford to mark time or check any road that not only wanted to build, but wanted to do so without subsidy or government aid of any sort.

At six o'clock Senator Gibson adjourned the debate, and will finish his speech at the next sitting. Senator Ellis introduced a bill to amend the Criminal Code of 1892. It proposes to exempt the incorporated art organizations of Great Britain from the lottery provisions in Canada.

MORENGO CAPTURED. Was Leader of Rebels in German South Africa. Berlin, May 16.—The German consul at Cape Town today cabled that Cape police had captured Morengo, the leader of the rebels in German South Africa, and several of his warriors in British territory, and had taken them up Uppington, Cape Colony.

The native rebellion in German Southwest Africa up to March of this year, had cost the German Government \$150,000,000. Morengo is characterized as a man of great intelligence, and is well educated.

MILITIA ORDERS. Ottawa, May 17.—Militia orders announce the appointment of Major H. O. Roy, of the 87th Regiment, as brigade major of the 10th Infantry Brigade. Lt. R. N. Shaw is permitted to resign his commission in the 2nd Montreal Regiment of Artillery. Provisional Lieut. C. M. Goddard, of the 13th Scottish Light Dragoons has been permitted to retire.

THE LEADER OF THE OPPOSITION. Mr. R. L. Borden argued that the traffic on the lake never came near the wharf. He thought it was dangerous to have Mr. Tobin threaten to keep up his demand for expenditure of money in his constituency for more wharfs. The wharf that had been built was of no more value than if it was built in a pond. After some further debate, a vote was taken on Mr. Blain's motion, which was defeated by 48 votes to 100.

BUDGET SPEECH NEXT TUESDAY. At the opening of yesterday's sitting of the House the Finance Minister announced that the budget would be brought down on Tuesday next.

Senator David thought the Senate more prone to works than to words. The proposal to retire senators at 80 did not meet with Senator David's approval. The best men of the Senate would be lost if that rule were enforced. If the Commons did not want men beyond that age, the Senate would be glad to take them if they had men as wise, strong and experienced as those who had come from the Lower to the Upper Chamber.

Senator Bostock moved the third reading of the Vancouver, Westminster and Yukon County Railway bill, which gives authority to construct a branch from the main line through the Yellow Head pass to Edmonton. It had been stated, Senator Bostock said, that the promoters desired to monopolize the pass. That was not so. There were many passes. He believed the Railway Act gave the Railway Commissioners power to prevent that. However, he had no objections to accepting the amendment of the Secretary of State, which sought to prevent this absolutely by authorizing the Railway Commissioners to give running rights over the pass portion of the line to other roads.

Senator Landry declared the object of the road was to divert the Pacific coast business south across the boundary line. He moved in amendment that the clause authorizing a branch from Anderson Lake to the international boundary near Huntington should be stricken out.

Senator McMullen said the company had been chartered five years ago to build some 700 miles of line. It had now built about 17 miles. He would not object to the original powers being renewed, but he objected to branches being authorized before the main line had made more progress. The road sought the right of the Yellow Head pass, which was one of the best in British Columbia, and which might be required by the Canadian Northern or the Grand Trunk Pacific. He had it on good authority that this company was negotiating with British Columbia for a land grant which would give it advantage over the Canadian Northern in the race for the pass. He advised giving the right through the pass to the first line which built near enough to show real intentions. He did not see how several roads could be given running rights over one line, as proposed by the amendment of the Secretary of State. The Vancouver, Westminster and Yukon evidently proposed to divert as much Canadian business as possible to the United States. One result would be that Canadian wheat would be taken to American mills, mixed with American wheat, and ground into inferior flour, which would be sold in the Oriental markets as Canadian, to the damage of the real article's reputation. He wanted Canadian wheat to go out in the form of Canadian flour over Canadian railways and Canadian ships, and sold as Canadian. He did not want to see the most desirable portion of the west given up to the Hill projects. If this company was given the rights of the Yellow Head pass, what would be the effect on the Canadian Northern in the British money markets when it sought capital to build to the coast?

Senator Gibson reminded his colleague of the free trade theories that he (Mr. McMullen) had expounded for so many years in the House of Commons. What had become of them now? Senator Gibson had been told by Sir Sandford Fleming in the presence of another member of parliament only a few days ago that there was room for fifteen railways through the Yellow Head pass. There seemed to be no danger involved in giving the Vancouver, Westminster and Yukon road a right to build there, particularly in view of the government amendment. The Canadian Northern had not yet reached the Yellow Head pass, yet Senator McMullen said other roads must mark time for it. Canada could not afford to mark time or check any road that not only wanted to build, but wanted to do so without subsidy or government aid of any sort.

At six o'clock Senator Gibson adjourned the debate, and will finish his speech at the next sitting. Senator Ellis introduced a bill to amend the Criminal Code of 1892. It proposes to exempt the incorporated art organizations of Great Britain from the lottery provisions in Canada.

MORENGO CAPTURED. Was Leader of Rebels in German South Africa. Berlin, May 16.—The German consul at Cape Town today cabled that Cape police had captured Morengo, the leader of the rebels in German South Africa, and several of his warriors in British territory, and had taken them up Uppington, Cape Colony.

The native rebellion in German Southwest Africa up to March of this year, had cost the German Government \$150,000,000. Morengo is characterized as a man of great intelligence, and is well educated.

MILITIA ORDERS. Ottawa, May 17.—Militia orders announce the appointment of Major H. O. Roy, of the 87th Regiment, as brigade major of the 10th Infantry Brigade. Lt. R. N. Shaw is permitted to resign his commission in the 2nd Montreal Regiment of Artillery. Provisional Lieut. C. M. Goddard, of the 13th Scottish Light Dragoons has been permitted to retire.

THE LEADER OF THE OPPOSITION. Mr. R. L. Borden argued that the traffic on the lake never came near the wharf. He thought it was dangerous to have Mr. Tobin threaten to keep up his demand for expenditure of money in his constituency for more wharfs. The wharf that had been built was of no more value than if it was built in a pond. After some further debate, a vote was taken on Mr. Blain's motion, which was defeated by 48 votes to 100.

BUDGET SPEECH NEXT TUESDAY. At the opening of yesterday's sitting of the House the Finance Minister announced that the budget would be brought down on Tuesday next.

THE EMPEROR NICHOLAS YIELDS.

His Majesty Will Grant Partial Amnesty—Also a New Cabinet Chosen From Members of the Majority of the Douma.

IT IS SAID, HOWEVER, THAT THE CZAR WILL RESERVE THE RIGHT TO SELECT A PREMIER—WOMAN SUFFRAGE KILLED — A COVERT THREAT.

St. Petersburg, May 16.—In spite of the fear that the address in reply to the speech from the throne, moved on Tuesday, in the Lower House of Parliament, would precipitate an immediate conflict between the Crown and Parliament, the Associated Press is in a position to state that the Emperor Nicholas is determined to avoid a breach, if possible. Not only will partial amnesty be granted, but the Emperor is ready to replace the Goremeykins ministry with a Cabinet chosen from the members of the majority of the Lower House, in the hope of effecting a compromise. He is not willing, however, to let the majority select the Premier, but on such a concession is made, it is difficult to understand how the Emperor can go half way and refuse the full constitutional monarchy which government by parliamentary majorities involves. Parliament has practically already won a great victory.

In spite of all prevailing craving for the rostrum, the House, after the evening recess, finished general discussion of the address in reply to the speech from the throne, and took up for deliberation the separate planks of the document, adopting the first four before adjournment. These cover the questions of universal suffrage, reform of the bureaucracy and provincial administration, stoppage of repressions, and the all-important point of ministerial responsibility. On the last point the Radicals scored their first triumph, forcing the inclusion in the paragraph a complete demand for ministerial responsibility by the insertion of the word 'all' before the word 'ministers.'

WOMAN SUFFRAGE WAS KILLED. Radical appeals for declarations in favor of woman suffrage and a secret direct ballot were snuffed under overwhelmingly, one gray-bearded peasant voicing the sentiments of his class in the words: 'We do not want our women to vote; we prefer that they should stay at home and manage the household.'

Prof. Kusmin-Karaleff made the most sensational remark of the evening by openly hinting at the possibility that the Emperor Nicholas might meet the fate of Louis XVI, if he rejected the principle of ministerial responsibility. 'We stand,' he said, 'in the position

further elucidated by the trial for manslaughter of Dr. Adcock, the healer, accused of having caused the death of Major John Nichol as Whyte, who died under his treatment. Until the trial is concluded, Mr. Gladstone added, he could not express his opinion on the subject.

NATIVE REVOLT FEARED. Basutos and Swazis Restless and May Join the Zulus. London, May 17.—The English correspondents in South Africa concur in stating that there is danger of a general flare-up among the natives. A majority of them are simply watching the turn of events. If the Natal force, which is now operating against the rebellious Chief Bambata, is not speedily successful, extensive trouble is almost inevitable. The Basutos, one of the most warlike of the tribes, strongly sympathize with the Zulus, who show an increasing disposition to side with Bambata. The Swazis are also restless, and are holding great meetings nightly.

SUBSIDIZING RAILWAYS. NO NEED FOR IT IN CANADA. SAYS MR. J. J. HILL. Winnipeg, May 17.—Mr. James J. Hill, president of the Great Northern Railway, took his departure from Winnipeg yesterday, after a busy time, during which he addressed deputations and attended various functions. Mr. Hill made no fresh announcements before his departure, but there is a strong impression that he will co-operate, if possible, with the present railway system being built in the West. He criticized, indirectly, railway subsidizing, and pointed out that there was no need of it in a country with Canada's natural resources. He denounced handing out the public domain in large blocks.

MR. ERNEST SMITH'S CASE. A special meeting of the Western Protestant School Board will be held to-night to finally decide upon the proposed reinstatement of Ernest Smith, of Kings, who has been expelled from the board for refusing to sign a petition asking for reinstatement, and, as out of 226 members, 204 signed, and twelve are absent, practically unanimous.

THE 'DAILY WITNESS' is printed and published at the 'Witness' Building, at the corner of Craig and St. Peter streets in the city of Montreal, by John Douglas and Frederick Eugene Douglas, both of Montreal.

All business communications should be addressed to John Douglas & Son, Witness Office, Montreal, and all letters to the Editor, should be addressed to the 'Witness.'

Imperial Parliament. A DEMAND THAT CHRISTIAN SCIENTISTS BE PREVENTED FROM PRACTICING. London, May 16.—In the House of Commons today Mr. John Brownlee, Lonsdale, Conservative, Middle Armagh, demanded that legislative and other measures be taken to prevent Christian Scientists from carrying on their practices, with a view to preventing danger to the lives of credulous people. Mr. Herbert Gladstone, Home Secretary, replied that the law touching the practice of medicine will probably be

KODAK 'HAPPY SITUATIONS.' A prize of one Sovereign (\$1.98) will be awarded to the one sending us at any time during the month of June the best and most interesting photograph of 'A Happy Situation,' (which may include anything from a cat and her kittens, or a bird on her nest to a judge playing golf). Besides the prize, honorable mention will be awarded for all entries of special merit, and the best will appear in the 'Illustrated Witness,' which is published every Thursday. Competitors should not wait till the end of the month to send in their photographs, for in publishing pictures we always give preference to those that record events that have just taken place. Kodakers should 'get busy' at once. The prize is a good one, and the picture will be seen in about fifteen thousand homes in Montreal alone. Address photos to Editor 'Illustrated Witness,' 'Witness' Building, Montreal, marked 'Sovereign Competition.'